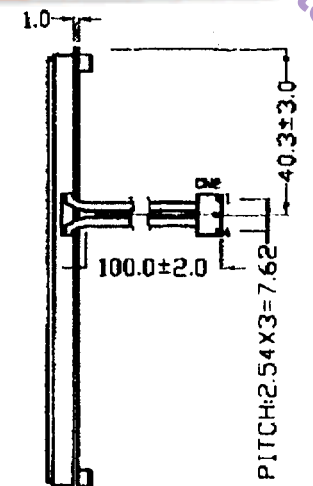
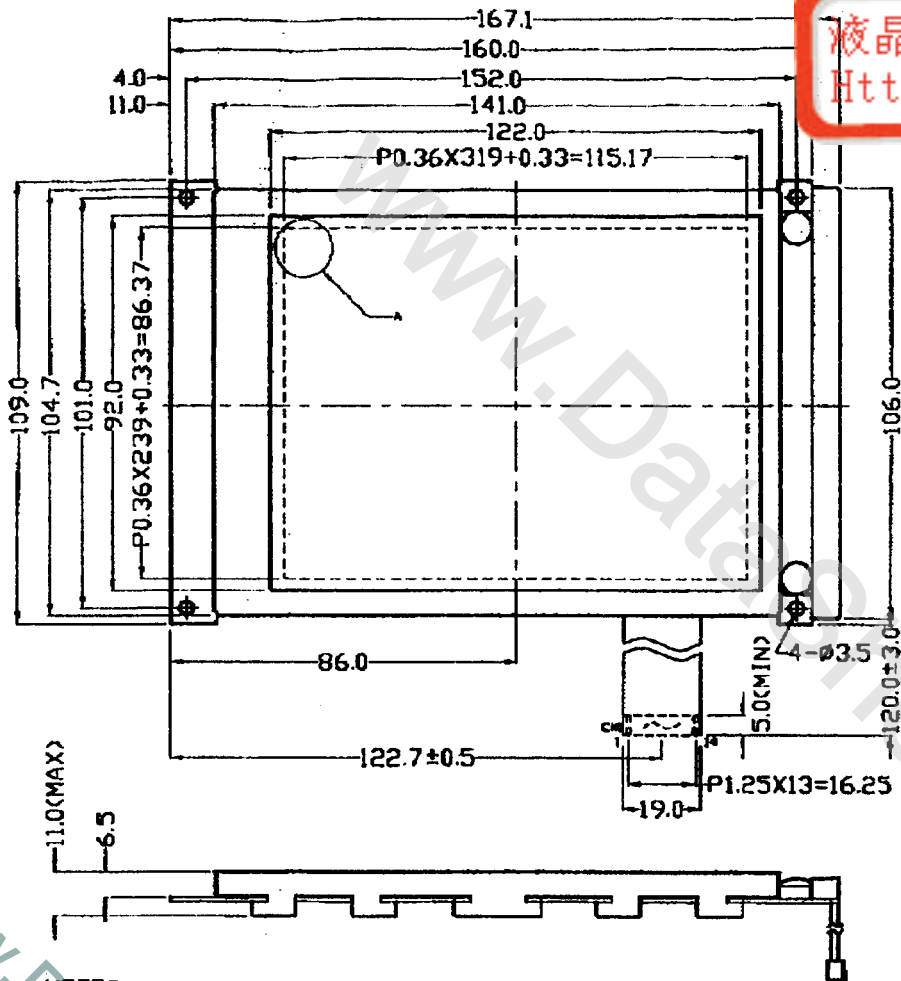


液晶之友 电话: 020-33819057  
[Http://www.lcdfriends.com](http://www.lcdfriends.com)



PIN ASSIGNMENT CN1		PIN ASSIGNMENT CN2	
PIN NO.	SYMBOL	PIN NO.	SYMBOL
1	D0	1	CTL HOT
2	D1	2	N.C.
3	D2	3	N.C.
4	D3	4	CTL GND
5	SWP OFF		
6	FLM		
7	N.C.		
8	LP		
9	CP		
10	VCC		
11	VSS		
12	Vee		
13	VedJ		
14	FG		

NOTES:

- |   |                           |
|---|---------------------------|
| 1. DISPLAY TYPE:                            | FSTN MODE                 |
| 2. VIEWING DIRECTION:                       | 6:00                      |
| 3. POLARIZER MODE:                          | TRANSMISSIVE/POSITIVE     |
| 4. OPERATING TEMP.:                         | 0°C~+50°C                 |
| 5. STORAGE TEMP.:                           | -20°C~+60°C               |
| 6. LCD OPERATING VOLTAGE:                   | 22.6V                     |
| 7. DRIVE METHOD:                            | 1/240 DUTY 1/16 BIAS      |
| 8. BACKLIGHT TYPE:                          | CCFL                      |
| 9. DRIVER:                                  | S6B2086X01-TORAK(S0086TQ) |
| 10. ALL UNMARKED TOLERANCES:                | ±0.3mm                    |
| 11. BEZEL IS TO BE PAINTED WITH ZINC(WHITE) |                           |



TIAN-MA MICROELECTRONICS CO.

6/F., CASTIC Building, Sheanong Road, Central, Shenzhen, China

DRAWN BY: 王...  
 CHECKED BY: 潘...  
 APPROVED BY: 王...  
 CONFIRMED BY:

TITLE: TM320240DCG  
 DWG NO.: G-1  
 DWG NAME: tm320240dcg-1

SCALE: UNIT: mm  
 SHEET NO.: 0P