

PLEASE CHECK WWW.MOLEX.COM FOR LATEST PART INFORMATION

Part Number: [0885237500](#)
Status: **Active**
Overview: [fiber optic product families](#)
Description: MT-RJ(F)-to-ST, Multimode, 62.5/125µm, Duplex, 1.60mm (.063"), Standard Fiber Optic Cable Assembly, 1.0m (3.28')

Documents:

[Drawing \(PDF\)](#) [RoHS Certificate of Compliance \(PDF\)](#)

General

Product Family	Fiber Optic Assemblies
Series	88523
Connector to Connector	MT-RJ-to-ST
Mode	Multimode
Overview	fiber optic product families
Product Name	MT-RJ, ST

Physical

Cable Length	1.0m (3.28')
Cable Size	1.60mm (.063")
Fiber (Core/Cladding)	62.5/125µm
Single Ended	No
Wire/Cable Type	Duplex

Material Info

Reference - Drawing Numbers

Sales Drawing	SD-88523-079
---------------	--------------

EU RoHS

ELV and RoHS

Compliant

REACH SVHC

Not Reviewed

Halogen-Free

Status

Not Reviewed

China RoHS



Need more information on product environmental compliance?

Email productcompliance@molex.com
For a multiple part number RoHS Certificate of Compliance, [click here](#)

Please visit the [Contact Us](#) section for any non-product compliance questions.

Search Parts in this Series

[88523Series](#)

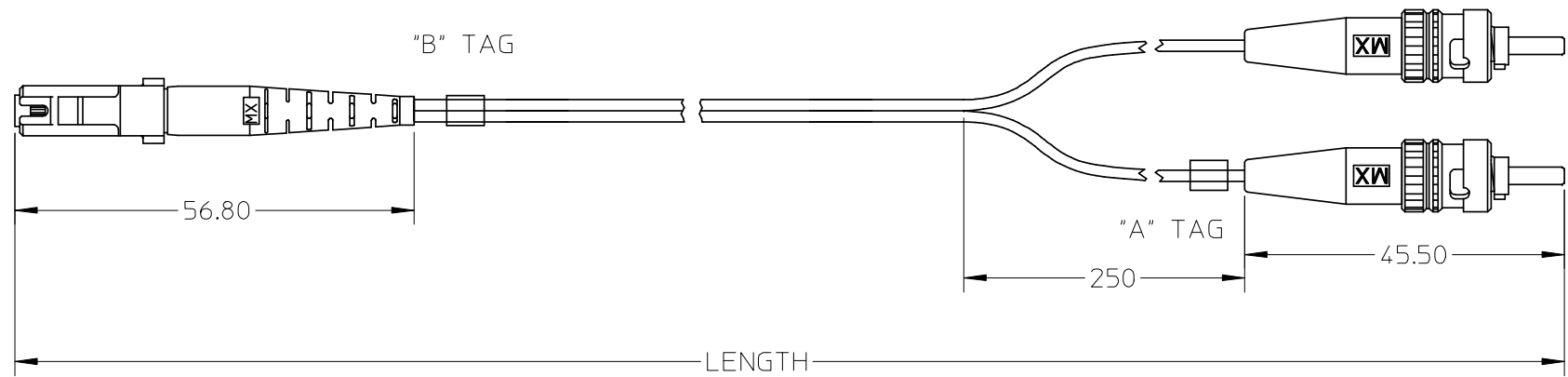
E

D

C

B

A



885237504	MTRJ(F)-ST DUP MM 62.5/125 1.6MM 10M	10000(+200/-0)
885237503	MTRJ(F)-ST DUP MM 62.5/125 1.6MM 5M	5000(+200/-0)
885237502	MTRJ(F)-ST DUP MM 62.5/125 1.6MM 3M	3000(+200/-0)
885237501	MTRJ(F)-ST DUP MM 62.5/125 1.6MM 2M	2000(+200/-0)
885237500	MTRJ(F)-ST DUP MM 62.5/125 1.6MM 1M	1000(+100/-0)
MX P/N	DESCRIPTION	LENGTH

NOTES:

1. DUST CAPS ARE NOT SHOWN
2. PER CHANNEL @ 850nm,
ST SIDE IL<=0.5dB
MTRJ SIDE IL<=0.7dB

ENTER DESCRIPTION EC NO: DG2008-0161 DRWN:XPCHEN CHKD: APPR: JOWANG	2008/07/15	DESCRIPTION REV
	2008/07/15	
	2008/07/18	

QUALITY SYMBOLS
▽=0
∇=0

GENERAL TOLERANCES (UNLESS SPECIFIED)	DIMENSION STYLE	
	MM ONLY	
	mm	INCH
	4 PLACES	± --- ± ---
	3 PLACES	± --- ± ---
DRAFT WHERE APPLICABLE MUST REMAIN WITHIN DIMENSIONS	2 PLACES	± --- ± ---
	1 PLACE	± --- ± ---
	ANGULAR ± ---°	

DRAWN BY	DATE
XP	2008/06/23
CHECKED BY	DATE
LISA	2008/06/23
APPROVED BY	DATE
JOHNNY	2008/06/23
MATERIAL NO.	
SEE TABLE	
SIZE	
A 4	

SCALE	DESIGN UNITS	THIRD ANGLE PROJECTION
---	METRIC	
TITLE		
MTRJ(F)-ST DUP MM 62.5/125 1.6MM		
MOLEX MOLEX INCORPORATED		
MATERIAL NO.	DOCUMENT NO.	SHEET NO.
	SD-88523-079	1 OF 1
THIS DRAWING CONTAINS INFORMATION THAT IS PROPRIETARY TO MOLEX INCORPORATED AND SHOULD NOT BE USED WITHOUT WRITTEN PERMISSION		