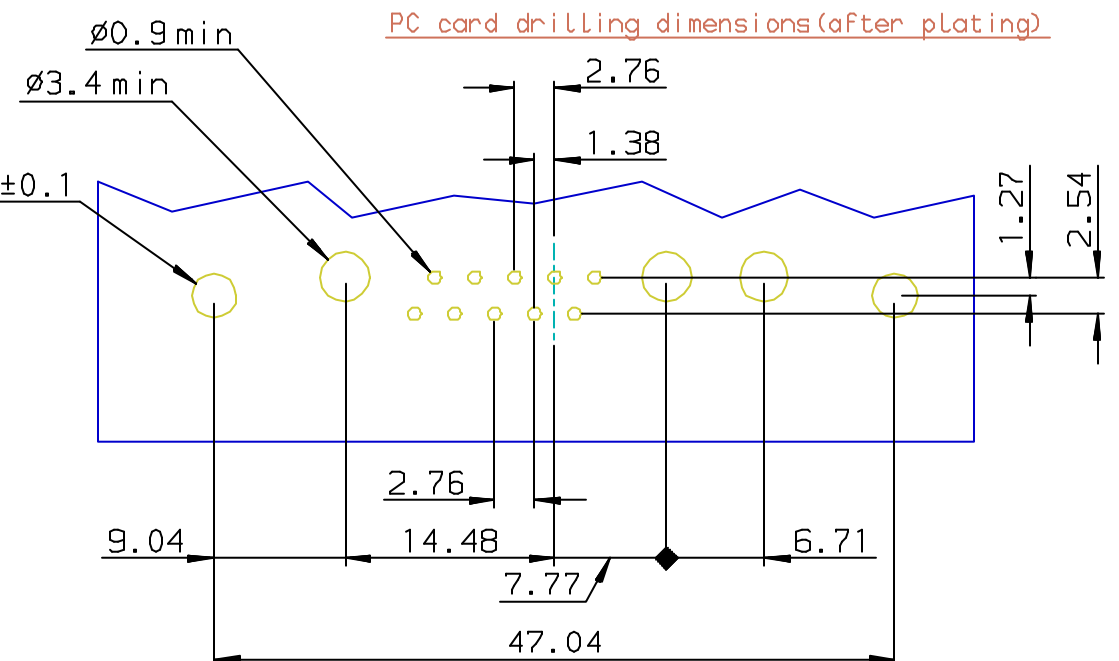
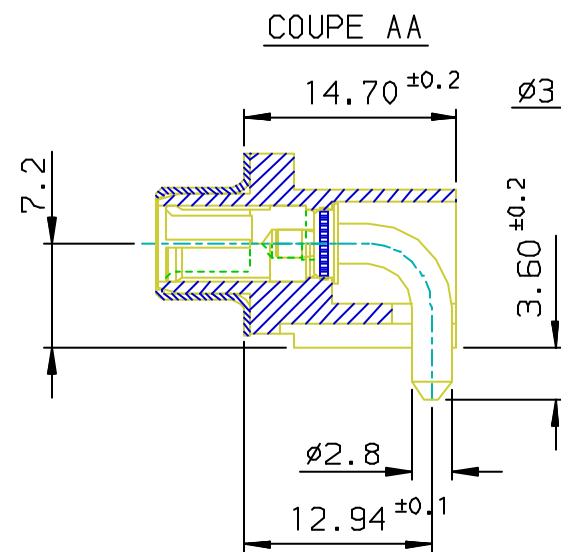
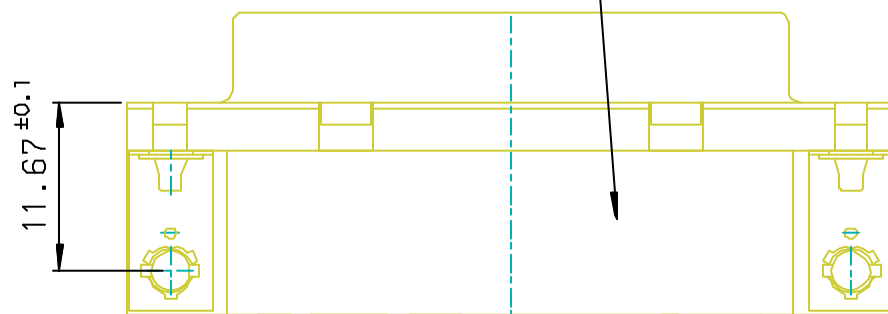


FOR ROHS DETAILS REFER DWG.NO:C01-8646-0000

Part Number & Date Code Printing



CHARACTERISTICS:

- Max current powers contacts : 40A per standard contact
- Max current rating: 7.5A per standard contact
- Dielectric withstanding voltage: 1000V minimum
- Insulation resistance: ≥5000Ma
- Contact resistance: ≤10ma
- Mating and unmating Forces: conform to MILC24308
- Material of -insulator: black polyester class UL 94 V-0
- shell: Steel
- contact: brass for power phosphor bronze for standard phosphor bronze
- harpoons
- metal plate: brass
- threaded inserts: brass
- Plating of -shell and accessories: tin/Zinc Cr3
- contact: Ni 0.8µmini + Au0.4µmini
- mating area; Ni 0.8µmini + Sn Pb 2µmini
- termination area;
- Temperature range: -55°C,+125°C
- harpoon for PC board thickness from 1.6mm to 1.8mm

D13W3S17B5GX3C**	40 A
PART NUMBER	POWER type

LF FOR LEAD FREE

European Views

rev	ecn no	dr	date
B	105-0124	JS	2005/07/27
C	106-0074	SK	2006/06/08
-	-	-	-
-	-	-	-
-	-	-	-
-	-	-	-

www.fciconnect.com		surface ISO 1302 ✓	tolerance std ISO 406 ISO 1101	projection mm
TOLERANCES UNLESS OTHERWISE SPECIFIED				
Dr	JOHN SLEEBA	1997/05/15	ANGULAR	LINEAR
Eng	GEORGE VJ	1997/05/15	0.X	±0.1
Chr	GEORGE VJ	2005/07/27	0.XX	±0.1
Appr	KVSD	2005/07/27	0.XXX	±0.1
Product family			D-SUB	Spec ref -
title FEMALE CONNECTOR 13W3 DELTA D with power contacts		dwg no C01-8646-0548	Rev. C	
catalog no DELTA-D		CUSTOMER sheet 1 of 1		



Copyright FCI.