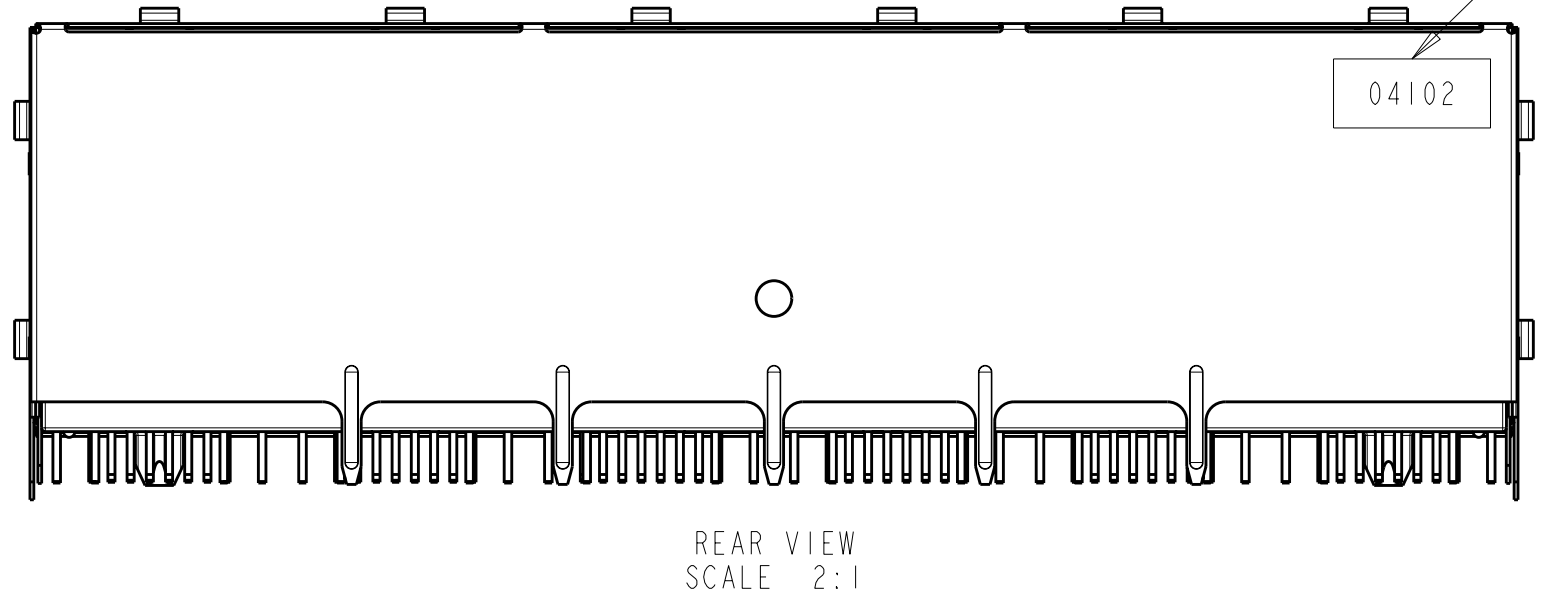
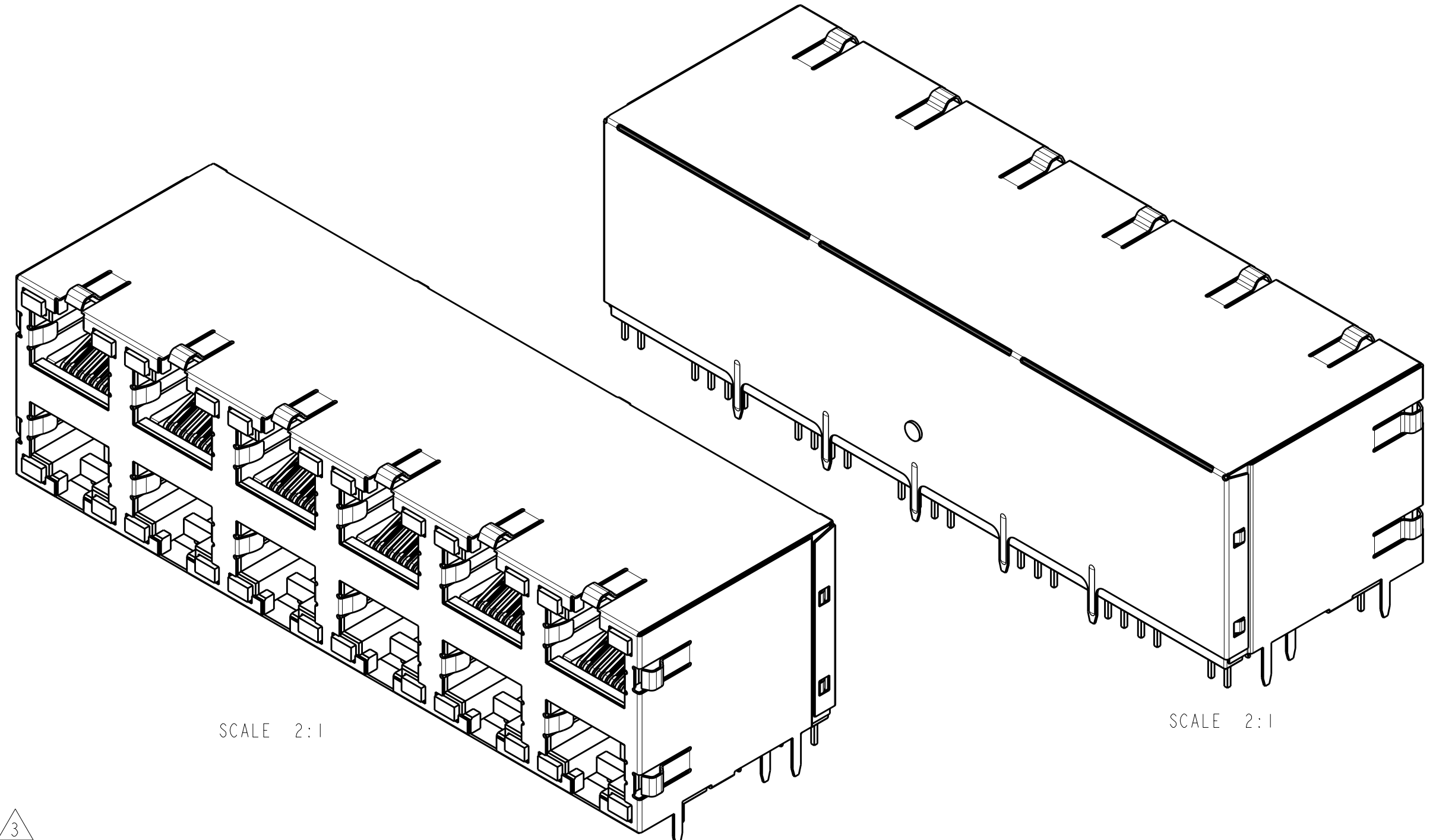
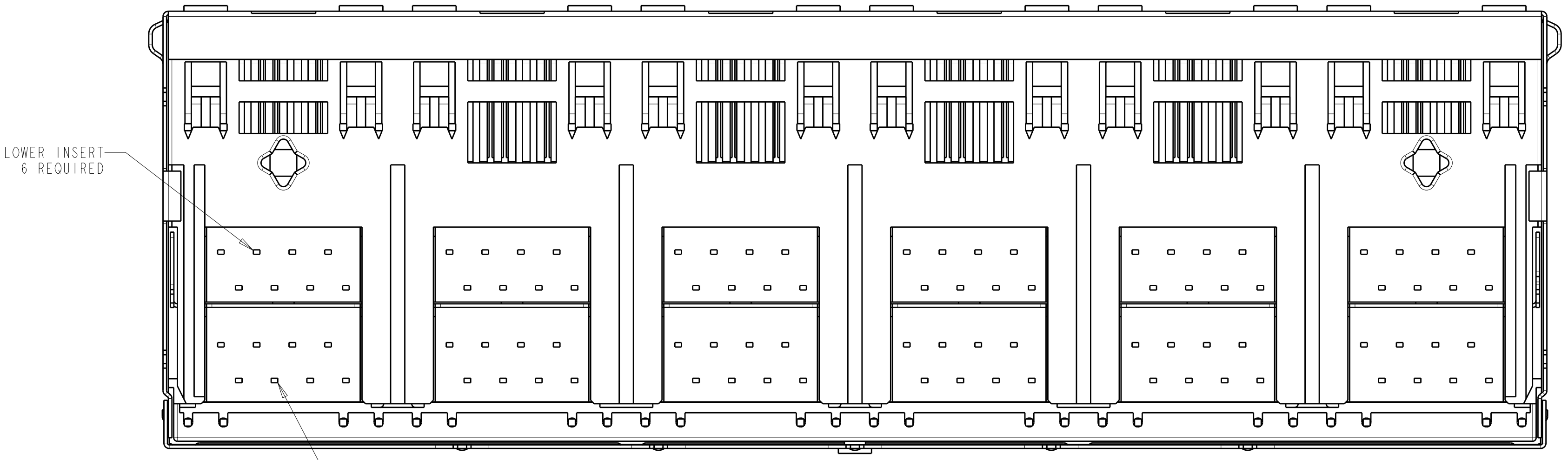
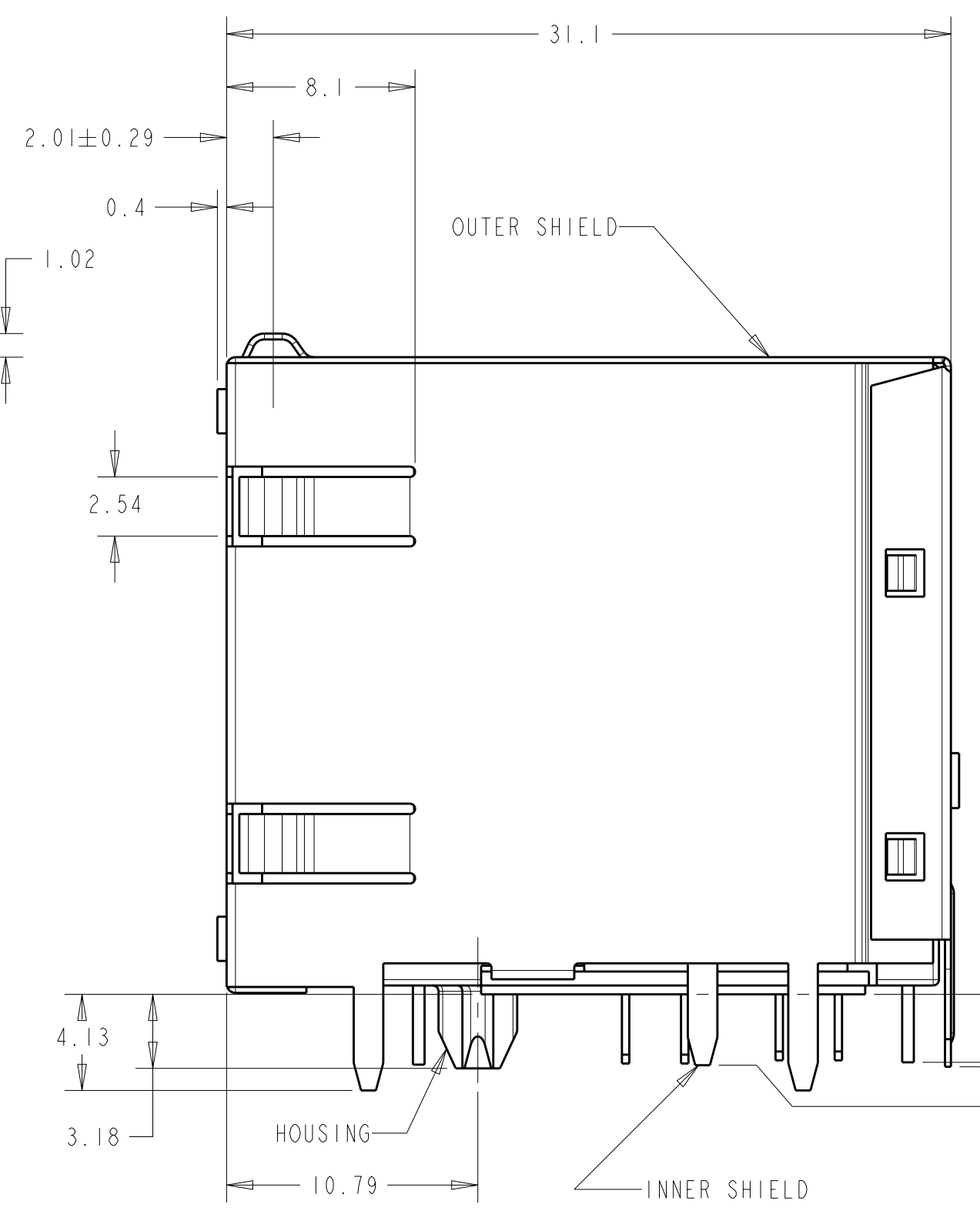
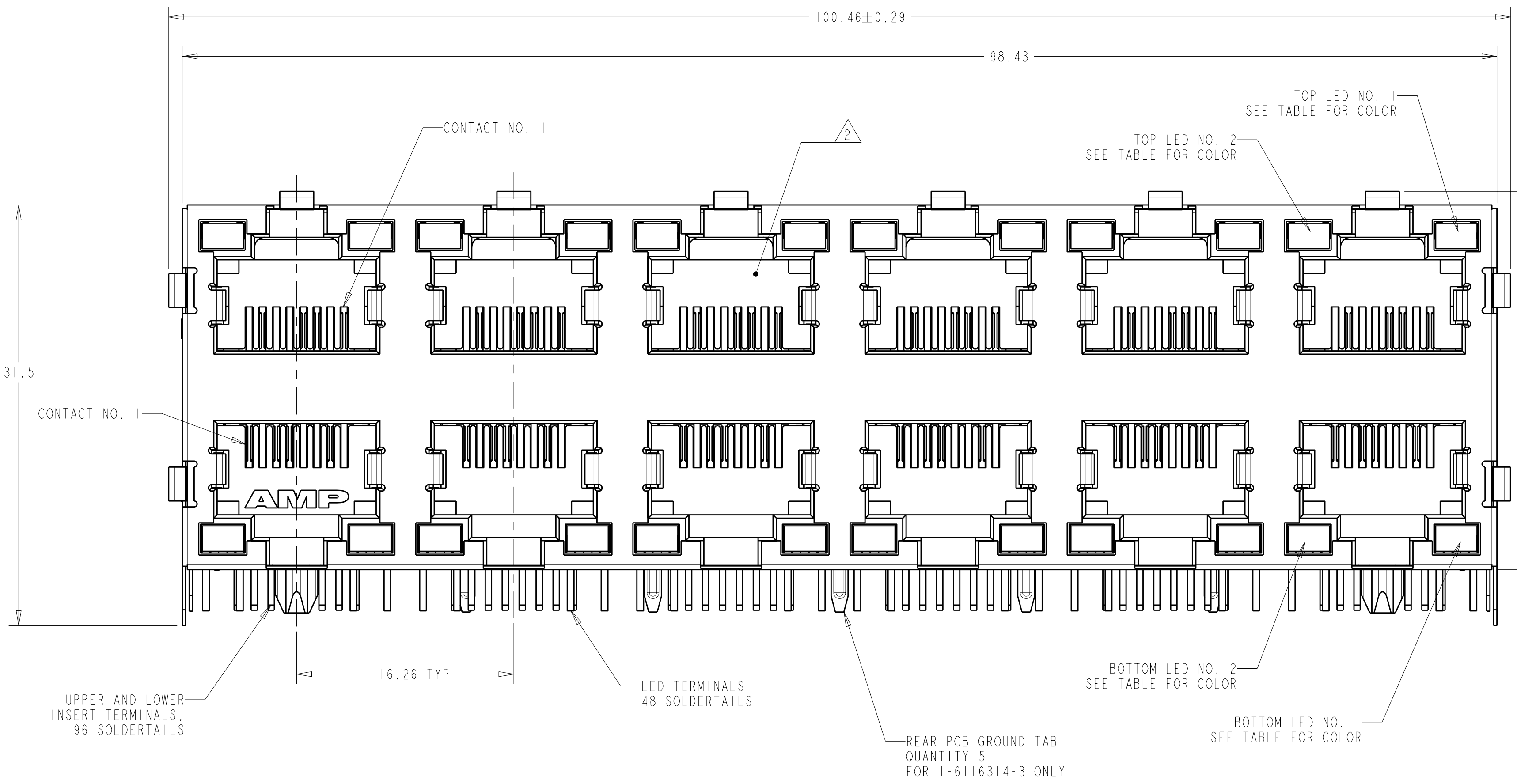


LOC	DIST	REV	DATE	BY	APPD
AA	00	D1	17APR2009	TY	SY

- REVISIONS
- MATERIAL: HOUSING - PBT POLYESTER, BLACK, UL 94V-0. TERMINALS - 0.33 THICK PHOS BRONZE PLATED WITH 1.27µm MINIMUM THICK HARD GOLD IN LOCALIZED AREA AND 3.81µm MINIMUM THICK MATTE TIN IN SOLDER AREA OVER 1.27µm MINIMUM THICK NICKEL UNDERPLATE. SHIELD - 0.25 THICK COPPER ALLOY PLATED WITH 2.03µm MINIMUM BRIGHT TIN OVER 1.27µm MINIMUM NICKEL. LIGHT EMITTING DIODE (LED) - DIFFUSED EPOXY LENS, 0.51 X 0.51 CARBON STEEL WIREFRAME LEADS PREPLATED WITH 8.89µm TIN/COPPER OVER 2.03µm SILVER OVER 3.56µm NICKEL UNDERPLATE OVER 1.02µm COPPER UNDERPLATE.
 - JACK CAVITY CONFORMS TO FCC RULES AND REGULATIONS, PART 68 SUBPART F.
 - DATE CODE LOCATED ON REAR OF PART APPROX AS SHOWN: FIRST 2 DIGITS ARE LAST 2 DIGITS OF YEAR, SECOND 2 DIGITS ARE MANUFACTURING WORK WEEK, LAST DIGIT IS DAY OF WEEK, WITH SUNDAY=1.
 - SUGGESTED OPERATING CURRENT FOR THE LED IS 20 mA.
 - THIS MODULAR JACK WITH INTEGRATED LED IS NOT IR REFLOW SOLDERING PROCESS COMPATIBLE.
 - MATERIAL: HOUSING - PBT POLYESTER, BLACK, UL 94V-0. TERMINALS - 0.33 THICK PHOS BRONZE PLATED WITH 1.27µm MINIMUM THICK HARD GOLD IN LOCALIZED AREA AND 3.81µm MINIMUM THICK MATTE TIN IN SOLDER AREA OVER 1.27µm MINIMUM THICK NICKEL UNDERPLATE. SHIELD - 0.25 THICK COPPER ALLOY PLATED WITH 1.27µm MINIMUM NICKEL AND 2.03µm MINIMUM HOT TIN DIP ON PCB GROUND TABS. LIGHT EMITTING DIODE (LED) - DIFFUSED EPOXY LENS, 0.51 X 0.51 CARBON STEEL WIREFRAME LEADS PREPLATED WITH 8.89µm TIN/COPPER OVER 2.03µm SILVER OVER 3.56µm NICKEL UNDERPLATE OVER 1.02µm COPPER UNDERPLATE.



LED NO. 2	LED NO. 1	LED NO. 2	LED NO. 1	PART NUMBER
GREEN	YELLOW	GREEN	YELLOW	1-6116314-3
GREEN/ORANGE	GREEN/ORANGE	GREEN/ORANGE	GREEN/ORANGE	6116314-4
GREEN	YELLOW	GREEN	YELLOW	6116314-3
YELLOW	GREEN	GREEN	YELLOW	6116314-2
GREEN	GREEN	GREEN	GREEN	6116314-1

TYCO ELECTRONICS CORPORATION
 1114-2154
 DIMENSIONS: mm
 TOLERANCES UNLESS OTHERWISE SPECIFIED:
 9 PLC ±0.25
 8 PLC ±0.25
 5 PLC ±0.25
 4 PLC ±0.25
 ANGLES ±0.25

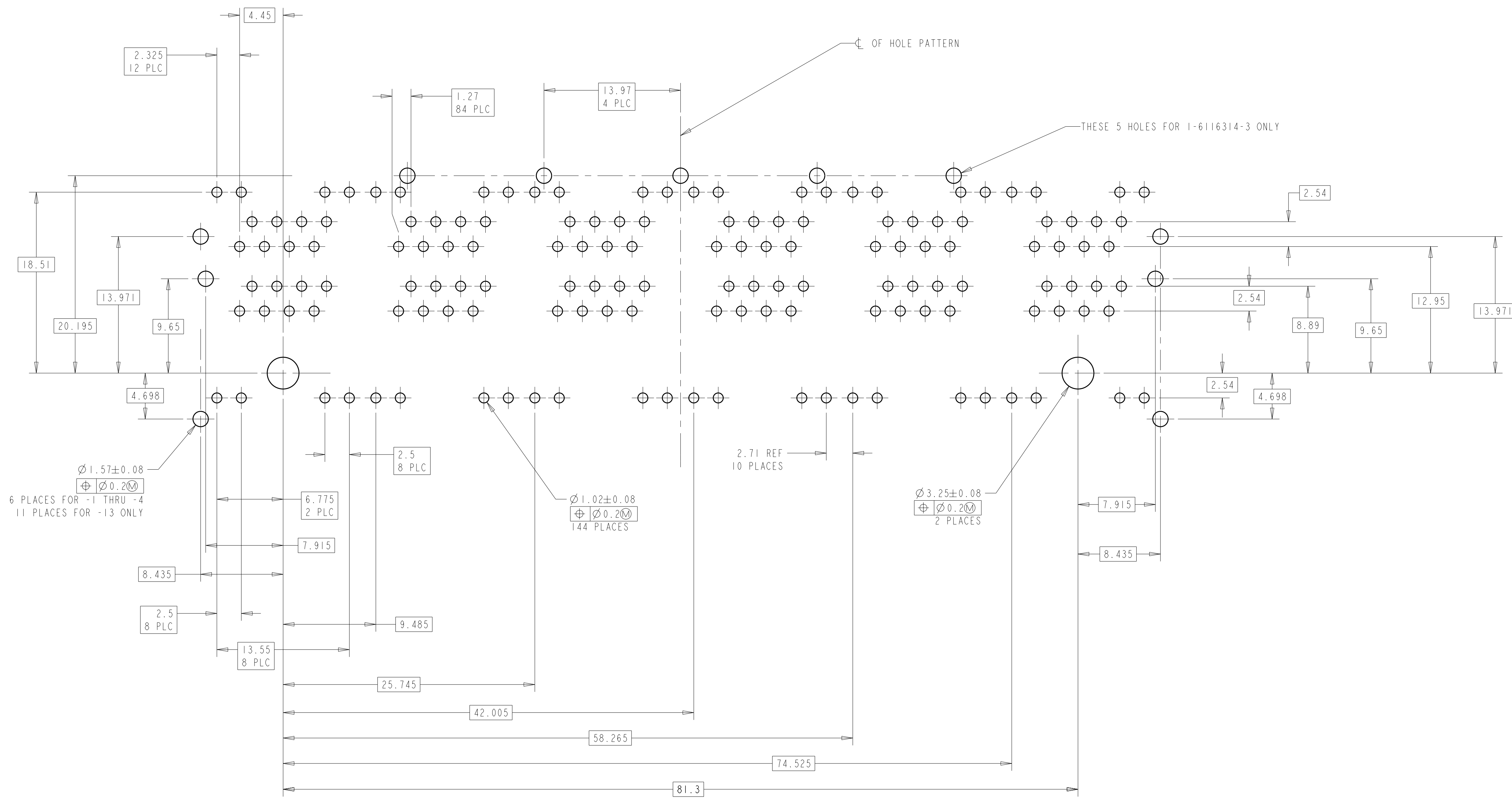
APPROVED: S. FLICKINGER
 NAME: ASSEMBLY, STACKED JACK, 2 x 6, 8 POSITION, SHIELDED, PANEL GROUND, LEDS, CATEGORY 5
 PRODUCT SPEC: 108-1163-2
 APPLICATION SPEC: 114-2154

DATE: 11SEP2005
 CHK: J. WESTMAN
 DWG NO: 1114-2154

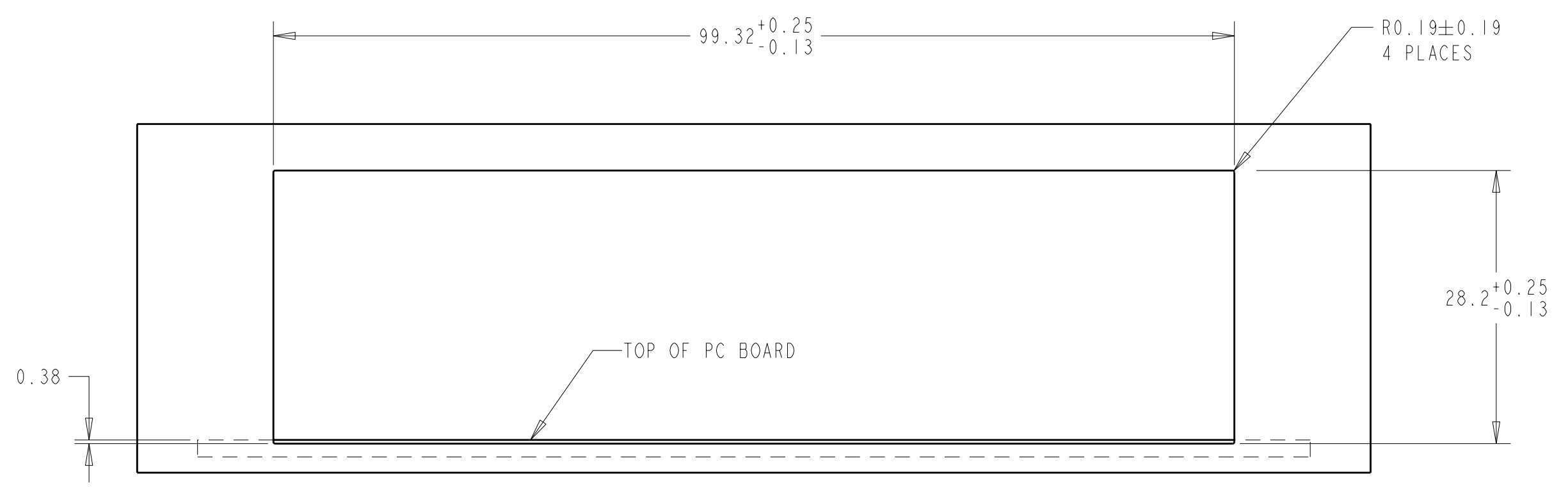
TYCO ELECTRONICS
 Tyco Electronics
 Harrisburg, PA 17105-3608

SCALE: 1:1 SHEET 1 OF 2 REV D1

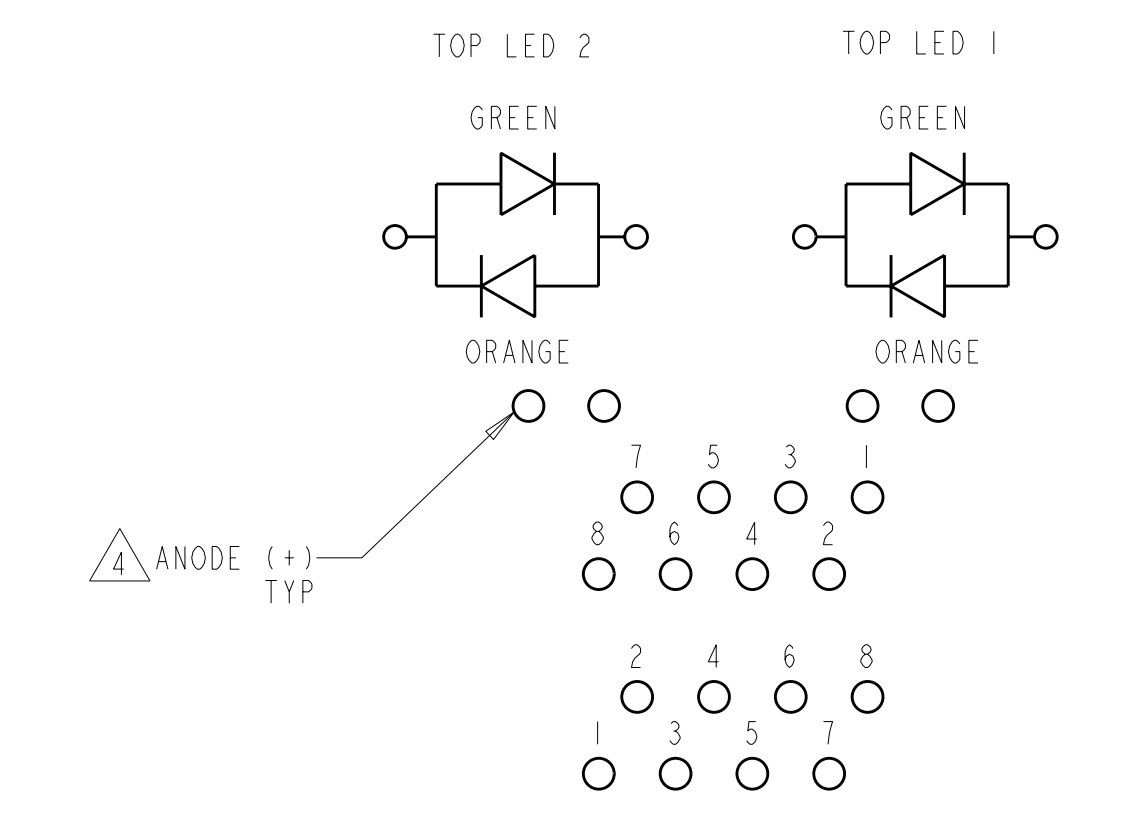
LOC	DIST	REV	DATE	BY	APPD
AA	00				



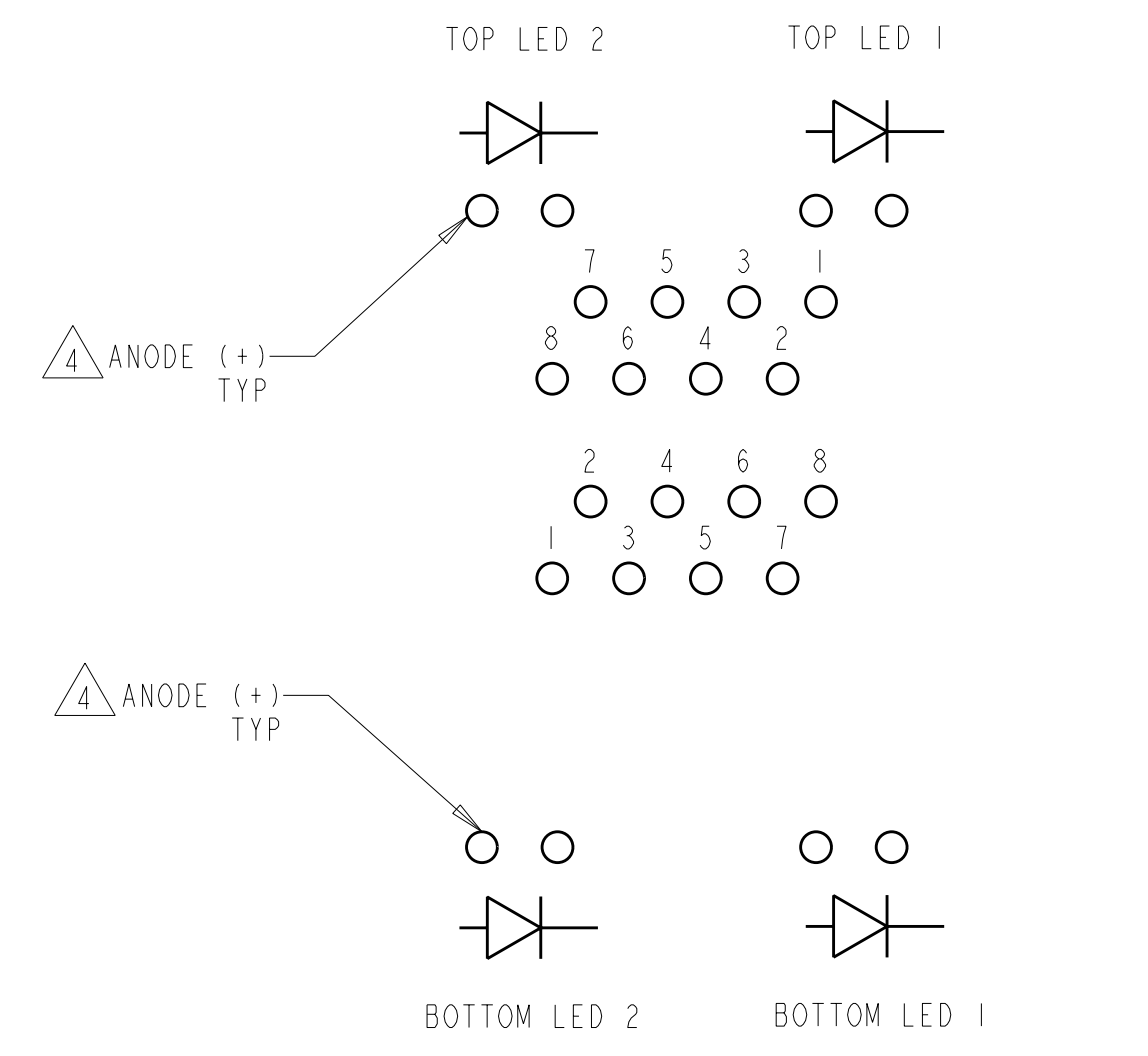
PC BOARD LAYOUT VIEWED FROM COMPONENTS SIDE OF BOARD
 SCALE 4:1



SUGGESTED PANEL CUTOUT DIMENSIONS
 SCALE 2:1



SCHEMATIC FOR 6116314-4 ONLY
 SCALE 4:1



SCHEMATIC FOR 6116314-1, -2, -3 & -13
 SCALE 4:1

DIMENSIONS: mm 		TOLERANCES UNLESS OTHERWISE SPECIFIED: 9 PLC ±0.25 1 PLC ±0.25 2 PLC ±0.25 3 PLC ±0.25 4 PLC ±0.25 ANGLES ±0.25		DWN D. RINGLER 11SEP2005 CHK J. WESTMAN 11SEP2005 APVD S. FLICKINGER 11SEP2005 NAME ASSEMBLY, STACKED JACK, 2 x 6, 8 POSITION, SHIELDED, PANEL GROUND, LEADS, CATEGORY 5 PRODUCT SPEC 108-1163-2 APPLICATION SPEC 114-2154 SIZE CAGE CODE DRAWING NO. 114-2154 WEIGHT - CUSTOMER DRAWING		Tyco Electronics Harrisburg, PA 17105-3608 A1100779 ©=6116314 SCALE 1:1 SHEET 2 OF 2 REV D1	
-----------------------	--	---	--	--	--	--	--