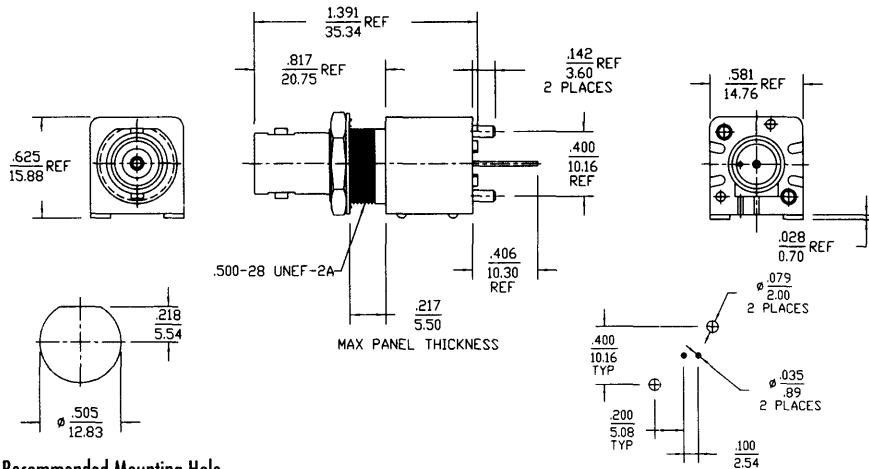


**CATALOG DRAWING (FOR REFERENCE ONLY)**

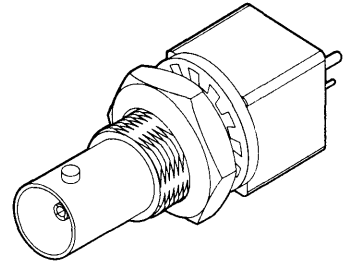
- Body: Zinc
- Housing: Valox
- Overall Plating: Nickel



Recommended Mounting Hole

Recommended PCB Hole Configuration

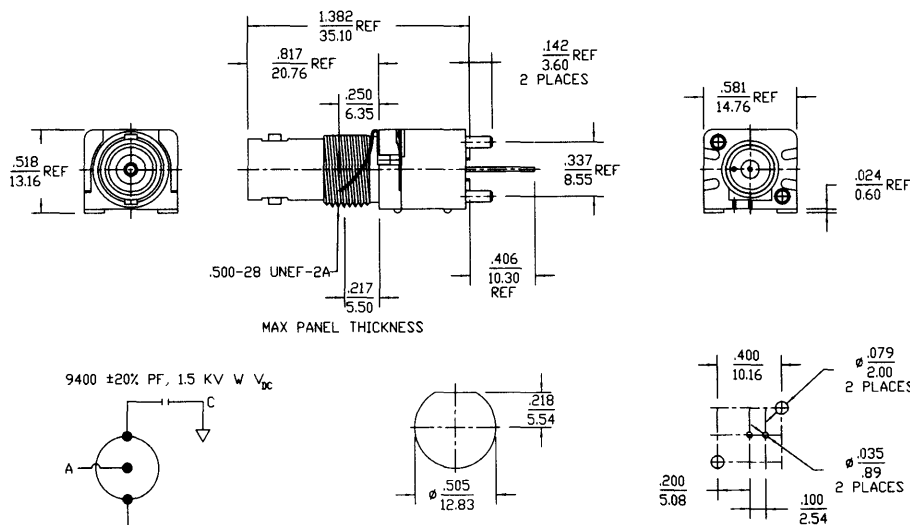
**Jack Receptacle  
Vertical  
Panel Isolated  
PCB**



Order No.	Housing Color	Impedance
73131-5003	Black	50 $\Omega$
73131-5013	White	50 $\Omega$
73131-7003	Black	75 $\Omega$

**CATALOG DRAWING (FOR REFERENCE ONLY)**

- Body: Zinc
- Housing: Valox
- Overall Plating: Nickel

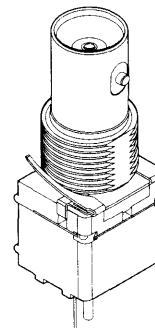


Schematic

Recommended Mounting Hole

Recommended PCB Hole Configuration

**Jack Receptacle  
Vertical  
Panel Isolated  
Filtered  
PCB**



Order No.	Housing Color	Impedance
73101-0071	Black	75 $\Omega$
73171-0440*	Black	50 $\Omega$

\* Hardware included