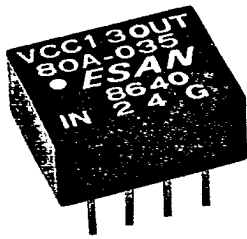


Active Delay Line (TTL Interface)

80A Series

- ULTRA-Miniature Package
- 8 Pin Dip Package
- 5 Tap Output

**Specifications:**

- Delay tolerance : $\pm 5\%$ or 2ns
whichever is greater
- Rise time : 4ns max.
- Temp. coefficient : 100 ppm/°C
- Operating Temp. Range : -0°C to 70°C
(-55°C to $+125^{\circ}\text{C}$
on request)
- Minimum Pulse Width : 40% of total delay
- Supply Voltage : $5\text{V}_{\text{DC}} \pm 5\%$
- Logic 1 Input current : 50 μA max.
- Logic 0 Input current : -2 mA max.
- Logic 1 Output : 2.75V min
- Logic 0 Output : 0.4V max.
- Logic 1 Fan out : 20/TAP max.
- Logic 0 Fan out : 10/TAP max.
- Power Dissipation : 375 mW max.

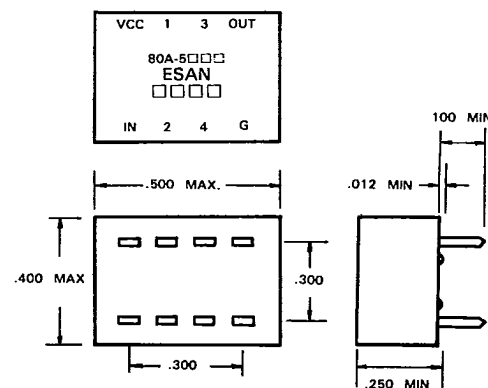
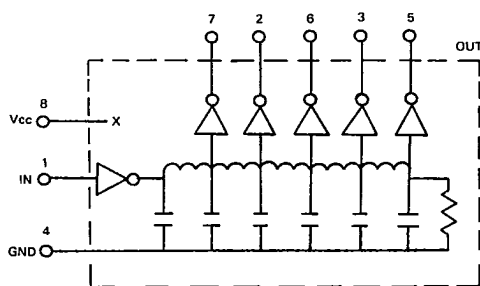
Test Conditions:

- Input pulse voltage : 3.2V
- Input pulse width : $1.2 \times$ total delay
- Input pulse spacing : $2 \times$ total delay
- Input pulse rise time: : 2 ns
- Rise time : 0.75V to 2.4V
- Time delay measured : @1.5V level
- All measurement : @ $V_{\text{CC}} = 5.0\text{V}$, $T_{\text{A}} = 25^{\circ}\text{C}$

Features:

- Schottky TTL interface
- Low power schottky available named "80AL-5xxx" series
- Both Leading and Trailing edge available under request named "80B-5xxx" series
- Ceramic IC meet MIL-STD 883 level B available named "80AM-5xxx"

PART NO.	TOTAL DELAY (ns)	TAP TO TAP (ns)
80A-5250	25	5
80A-5500	50	10
80A-5750	75	15
80A-5101	100	20
80A-5125	125	25
80A-5151	150	30
80A-5201	200	40
80A-5251	250	50
80A-5301	300	60
80A-5401	400	80
80A-5501	500	100



Unit: Inch