

## 75 Ohm TNC Female to TNC Female Adapter



### TECHNICAL DATA SHEET

PE9622

#### 75 Ohm TNC Female to TNC Female Adapter

##### Configuration

Connector 1	TNC Female
Impedance 1	75 Ohms
Connector 2	TNC Female
Impedance 2	75 Ohms
Adapter Design	Standard
Body Style	Straight

##### Mechanical Specifications

###### Size

Length, in [mm]	1.28 [32.51]
Width/Dia., in [mm]	0.47 [11.94]

###### Connector 1

Type	TNC Female
Inner Conductor Material and Plating	Brass, Gold
Inner Conductor Plating Specification	50µ in. minimum
Body Material and Plating	Brass, Nickel
Body Plating Specification	100µ in. minimum
Dielectric Type	Teflon

###### Connector 2

Type	TNC Female
Inner Conductor Material and Plating	Brass, Gold
Inner Conductor Plating Specification	50µ in. minimum
Body Material and Plating	Brass, Nickel
Body Plating Specification	100µ in. minimum
Dielectric Type	Teflon

##### Compliance Certifications (visit [www.Pasternack.com](http://www.Pasternack.com) for current document)

RoHS Compliant	Yes
----------------	-----

##### Plotted and Other Data

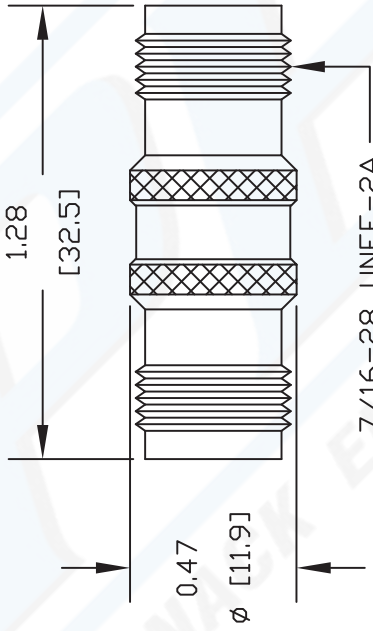
Notes:	Values at 25 °C, sea level
--------	----------------------------

URL: <http://www.pasternack.com/tnc-female-tnc-female-straight-adapter-pe9622-p.aspx>

75 Ohm TNC Female to TNC Female Adapter from Pasternack Enterprises has same day shipment for domestic and International orders. Our RF, microwave and fiber optic products maintain a 99% availability and are part of the broadest selection in the industry.

The information contained in this document is accurate to the best of our knowledge and representative of the part described herein. It may be necessary to make modifications to the part and/or the documentation of the part, in order to implement improvements. Pasternack reserves the right to make such changes as required. Unless otherwise stated, all specifications are nominal.

**PE9622 CAD Drawing**  
75 Ohm TNC Female to TNC Female Adapter



NOTES:  
1. UNLESS OTHERWISE SPECIFIED ALL DIMENSIONS ARE NOMINAL.  
2. ALL SPECIFICATIONS ARE SUBJECT TO CHANGE WITHOUT NOTICE AT ANY TIME.  
3. DIMENSIONS ARE IN INCHES (mm).

DWG TITLE  
**PE9622**

REV. -	FSCM NO. 53919	CAD FILE 100302	SCALE N/A	SIZE A	127
--------	----------------	-----------------	-----------	--------	-----

**PASTERNAK ENTERPRISES, INC.**  
P.O. BOX 16759, IRVINE, CA 92623  
PHONE (949) 261-1920 FAX (949) 261-7451  
WEB ADDRESS: [www.pasternack.com](http://www.pasternack.com)  
E-MAIL ADDRESS: [sales@pasternack.com](mailto:sales@pasternack.com)  
**COAXIAL & FIBER OPTICS**

