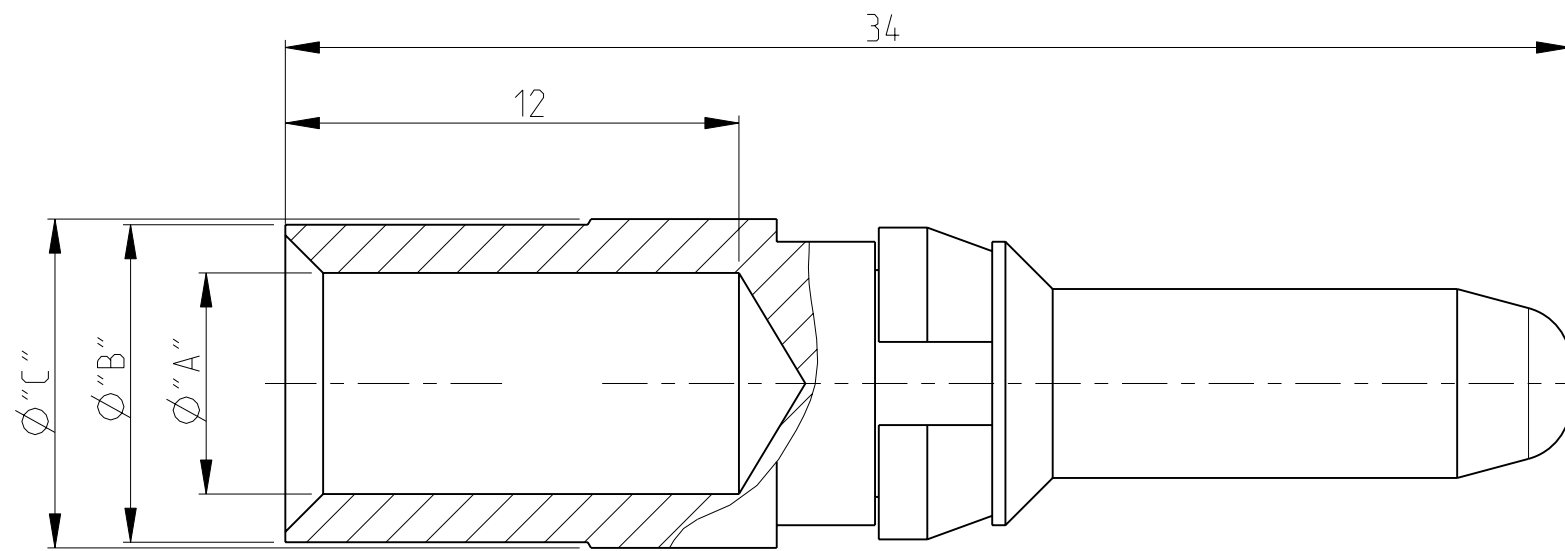
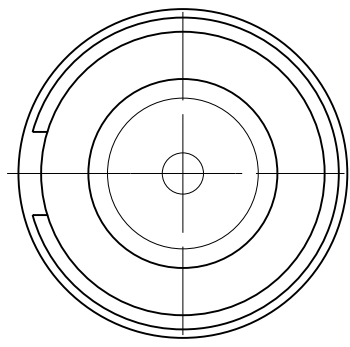


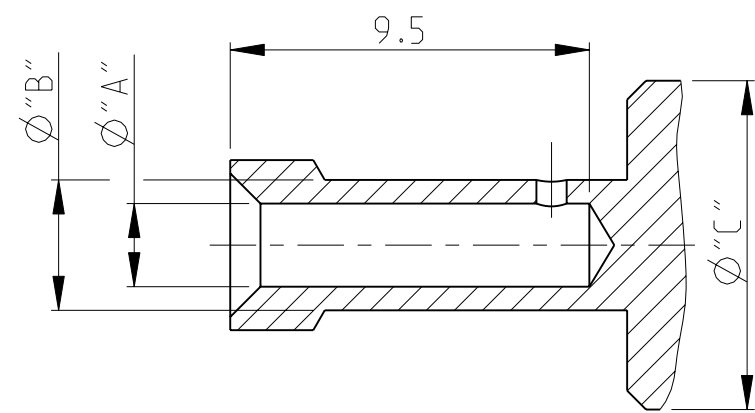
THIS DRAWING IS UNPUBLISHED. RELEASED FOR PUBLICATION
 © COPYRIGHT - ALL RIGHTS RESERVED.

LOC	DIST	REVISIONS					
		P	LTR	DESCRIPTION	DATE	DWN	APVD
B1	-		D3	REVISED PER ECO-11-005150	31MAR2011	RK	HMR

WIRE CROSS-SECTION:
 $\varnothing 6\text{mm}^2 - 16\text{mm}^2$



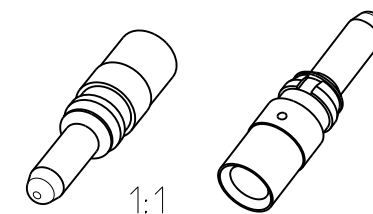
WIRE CROSS-SECTION:
 $\varnothing 2.5\text{mm}^2 / 4\text{mm}^2$



Notes

- 1 MATERIAL: BRASS
- 2 FINISH SILVER PLATING: 2µm Ag MIN. OVER Cu
- 3 FINISH GOLD PLATING: 0.75µm Au MIN. OVER Ni
- 4 WEIGHT (MAX.): 7.60 g, VOLUME (MAX.): 932mm³ (APPROX.)
- 5 SUITABLE SOCKET CONTACT: CUSTOMER DRAWING 1105151
- 6 SUITABLE INSERTS: SERIES HSS, CUSTOMER DRAWING
- 7 SUITABLE CRIMP TOOL: PN 1-1105850-8
- 8 SUITABLE INSERTION TOOL: -
- 9 SUITABLE EXTRACTION TOOL: PN 0-1102855-5
- 10 FINE WIRE DIA. MAX. $\varnothing 4.5$
- 11 PACKAGING:
25 PIECES IN A POLY-BAG
1 POLY-BAG IN A CARTON
- 12 PACKAGING:
1 PIECES LOOSE
- 13 STANDARDS: DIN EN 61984, DIN EN 60664-1

HSS-C-Sti.Au.16.0 mm ²	HSS-C-Sti.Au.10.0 mm ²	HSS-C-Sti.Au.6.0 mm ²	HSS-C-Sti.Ag.25.0 mm ²	HSS-C-Sti.Ag.16.0 mm ²	HSS-C-Sti.Ag.10.0 mm ² -fine	HSS-C-Sti.Ag.10.0 mm ²	HSS-C-Sti.Ag.6.0 mm ²	HSS-C-Sti.Ag.4.0 mm ²	HSS-C-Sti.Ag.2.5 mm ²	HSS-C-Sti.25.0 mm ² -R	HSS-C-Sti.16.0 mm ² -R	HSS-C-Sti.10.0 mm ² -R-fine	HSS-C-Sti.10.0 mm ² -R	HSS-C-Sti.6.0 mm ² -R	HSS-C-Sti.4.0 mm ² -R	HSS-C-Sti.2.5 mm ² -R	11		12	
																	PLATING	CROSS SECTION	DIMENSIONS	STRIPPING-LENGTH
GOLD	16.0	5.85	8.4	8.7	12	5-2	9-3	7-9	-											
GOLD	10.0	4.35	5.9	8.7	12	4-2	9-2	7-8	-											
GOLD	6.0	3.5	4.9	8.7	12	3-2	9-1	7-7	-											
SILVER	25.0	7	9.45	9.6	12	6-1	8-7	7-6	-											
SILVER	16.0	5.85	8.4	8.7	12	5-1	8-6	7-5	-											
SILVER	10.0	4.6	5.9	8.7	12	4-3	8-5	7-4	-											
SILVER	10.0	4.35	5.9	8.7	12	4-1	8-4	7-3	-											
SILVER	6.0	3.5	4.9	8.7	12	3-1	8-3	7-2	-											
SILVER	4.0	2.8	3.9	8.7	12	2-1	8-2	7-1	-											
SILVER	2.5	2.2	3.45	8.7	12	1-1	8-1	7-0	-											
CuZn36Pb1.5F43	25.0	7	9.45	9.6	-	-	-	-	0-7											
CuZn36Pb1.5F43	16.0	5.85	8.4	8.7	-	-	-	-	0-6											
CuZn36Pb1.5F43	10.0	4.6	5.9	8.7	-	-	-	-	0-5											
CuZn36Pb1.5F43	10.0	4.35	5.9	8.7	-	-	-	-	0-4											
CuZn36Pb1.5F43	6.0	3.5	4.9	8.7	-	-	-	-	0-3											
CuZn36Pb1.5F43	4.0	2.8	3.9	8.7	-	-	-	-	0-2											
CuZn36Pb1.5F43	2.5	2.2	3.45	8.7	-	-	-	-	0-1											
		[MM ²]	"A"	"B"	"C"	[MM]	PN	PN	PN	PN										



THIS DRAWING IS A CONTROLLED DOCUMENT. DWN: 08APRIL2008, K.SCHROEDER; CHK: H.BRAUN; APVD: T.SCHNURPFEL

STE TE Connectivity

PIN CONTACT SERIES HSS

PRODUCT SPEC: 108-74016
 APPLICATION SPEC: 114-74028

SIZE: A2, CAGE CODE: 00779, DRAWING NO: 1105150, RESTRICTED TO: -

CUSTOMER DRAWING, SCALE: 5:1, SHEET 1 OF 1, REV: D3