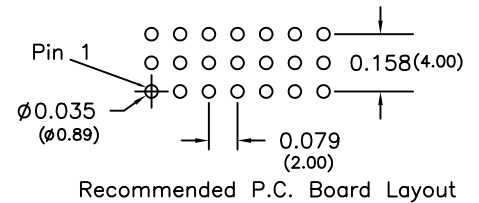
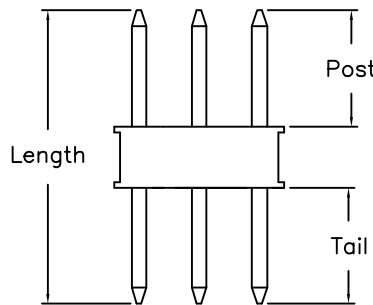
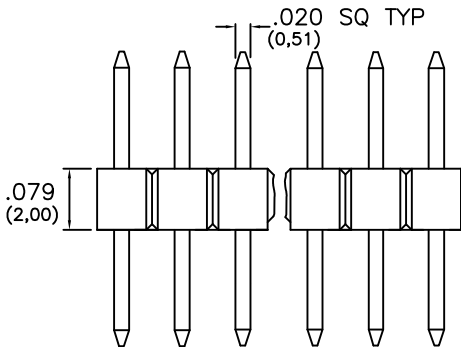
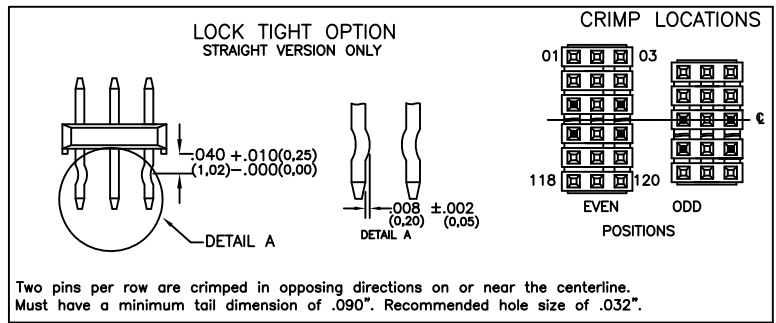
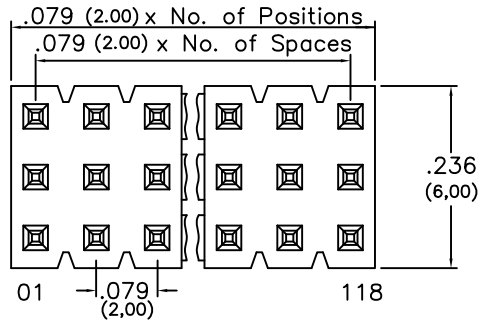


# Major League Electronics .079 cl Thicker Terminal Strip Headers - Standard



Tails may be clipped to achieve desired pin length

## Ordering Information

TTSHS-2 [ ] - T - [ ] - [ ] - [ ] - [ ] - LF

Pins Per Row  
01 - 40  
Row Specification  
T = Triple Row

Pin Options				
Length	Post Height			
.234	5.94mm	.065	1.65mm	02
.255	6.45mm	.075	1.91mm	04
.302	7.67mm	.126	3.20mm	06
.323	8.20mm	.146	3.71mm	08

Polarized Position  
Leave blank if not needed  
If required, specify empty pin position, e.g. 012 for Pin 12

Lock Tight "LT" Option  
Leave blank if not needed  
LT = With

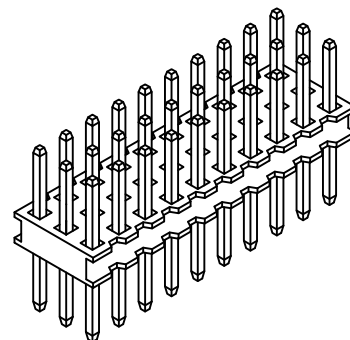
Plating Options	
G	10μ Gold on Contact Area / Flash on Tail
T	Matte Tin All Over
GT	10μ Gold on Contact Area / Matte Tin on Tail
H	30μ Gold on Contact Area / Matte Tin on Tail
F	Gold Flash over Entire Pin

## Specifications

Current Rating: 3.0 Ampere  
Insulation Resistance: 1000MΩ Min.  
Dielectric Withstanding: 500V AC  
Contact Resistance: 20 mΩ Max.  
Operating Temperature: -40°C to + 105°C  
Max. Process Temperature:  
Peak: 260°C up to 10 secs.  
Process: 230°C up to 60 secs.  
Wave: 260°C up to 6 secs.  
Manual Solder: 350°C up to 5 secs.

## Materials

Contact Material: Phosphor Bronze  
Insulator Material: Nylon 6T  
Plating: Au or Sn over 50μ" (1.27) Ni



Mates with:  
BSSH,  
BSSHC,  
BSSQ,  
BSSQC,  
BSSQM,  
SSHQ,  
SSHQR,  
SSHR,  
SSHS,  
SSHSM

Products cut to specific sizes are uncancellable/nonreturnable

Parts are subject to change without notice

**TTSHS-2-T SERIES**

.079cl Triple Row - Standard  
Thicker Terminal Strip Headers

21 FEB 07

Scale  
NTS

UNLESS OTHERWISE SPECIFIED  
DIMENSIONS IN INCHES (MM)  
TOLERANCES ARE:

ONE PLACE DECIMALS ±.100  
TWO PLACE DECIMALS ±.010  
THREE PLACE DECIMALS ±.005  
FOUR PLACE DECIMALS ±.0020

ANGLES  
±5°



4235 Earnings Way, New Albany, Indiana, 47150, USA  
1-800-782-3486 (USA/Canada/Mexico)  
Tel: 812-944-7244  
Fax: 812-944-7268  
E-mail: mle@mlelectronics.com  
Web: www.mlelectronics.com

Revision  
B

Sheet  
1/2

# Revisions

Revision B - (18th March 2011)

Ordering Grid Update  
Desired Post Height option removed

TTSHS-2-T SERIES

.079cl Triple Row - Standard  
Thicker Terminal Strip Headers

21 FEB 07

Scale  
NTS

UNLESS OTHERWISE SPECIFIED  
DIMENSIONS IN INCHES (MM)  
TOLERANCES ARE:

ONE PLACE DECIMALS ±.100  
TWO PLACE DECIMALS ±.010  
THREE PLACE DECIMALS ±.005  
FOUR PLACE DECIMALS ±.0020

ANGLES  
±3°



4235 Earnings Way, New Albany, Indiana, 47150, USA  
1-800-782-3486 (USA/Canada/Mexico)  
Tel: 812-944-7244  
Fax: 812-944-7268  
E-mail: [mle@mlelectronics.com](mailto:mle@mlelectronics.com)  
Web: [www.mlelectronics.com](http://www.mlelectronics.com)

Revision  
B

Sheet  
2/2