

## ■ General Description

The AME9172 is a voltage regulator which could convert the input voltage ranging from 1.3V to 6V to an output voltage that user settled. The regulator can provide sourcing or sinking current. The AME9172 used in conjunction with series termination resistors, provides an excellent voltage source for active termination schemes of high speed transmission lines as those seen in high speed memory buses and distributed backplane designs.

The voltage output of the regulator can be used as a termination voltage for DDR SDRAM.

Current limits in both sourcing and sinking mode, plus on-chip thermal shutdown make the circuit tolerant of the output fault conditions.

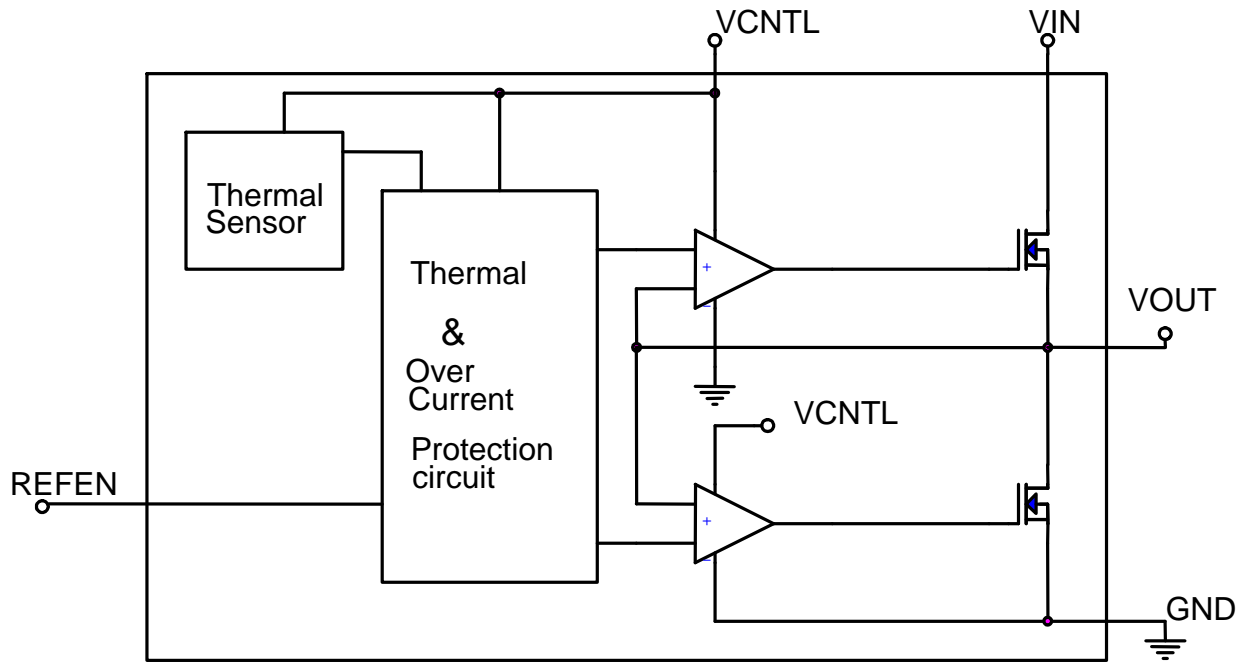
## ■ Features

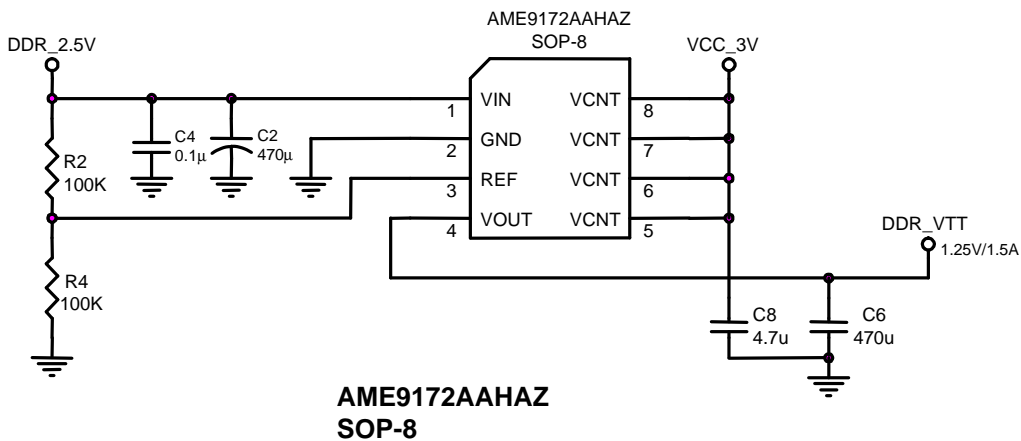
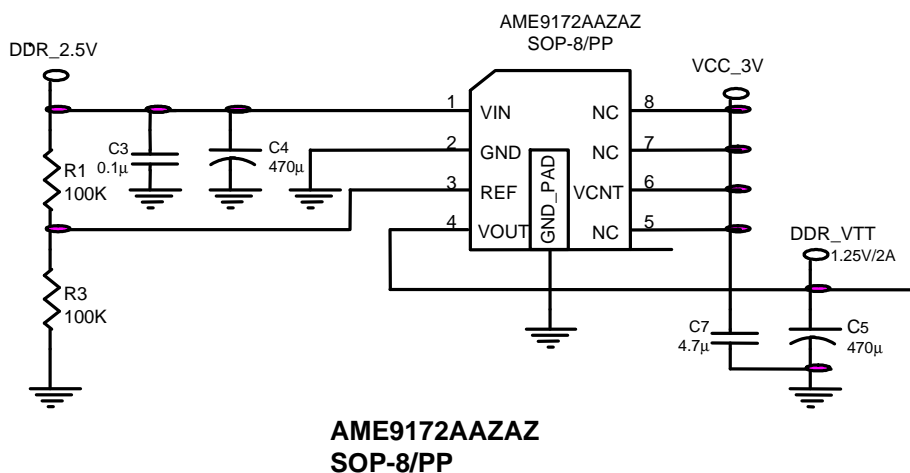
- Support Both DDR 1 (1.25VTT), DDR 2 (0.9VTT) & DDR 3 (0.75VTT) Requirements
- Capable of Sourcing and Sinking Current
- Current-limiting Protection
- Thermal Protection
- Integrated Power MOSFETs
- Generates Termination Voltages for SSTL-2
- High Accuracy Output Voltage at Full-Load
- Adjustable VOUT by External Resistors
- Minimum External Components
- Shutdown for Standby or Suspend Mode  
Operation with High-impedance Output
- All AME' s Lead Free Products Meet RoHS Standards

## ■ Applications

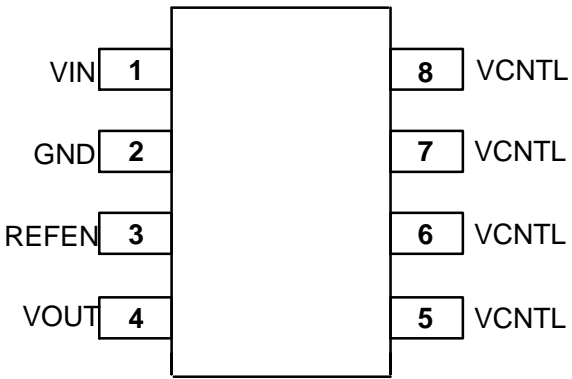
- DDR Memory Termination Supply
- Active Termination Buses
- Desktop PC/AGP Graphics
- Supply Splitters
- Set Top Box/IPC

■ Block Diagram

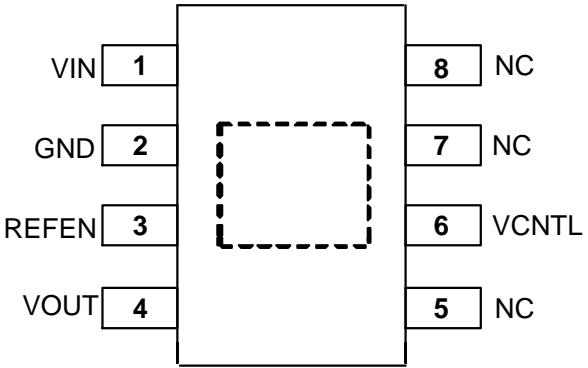



**■ Application Circuit**

**Fig 1 : Application Circuit AME9172AAHAZ**

**Fig 2 : Application Circuit AME9172AAZAZ**

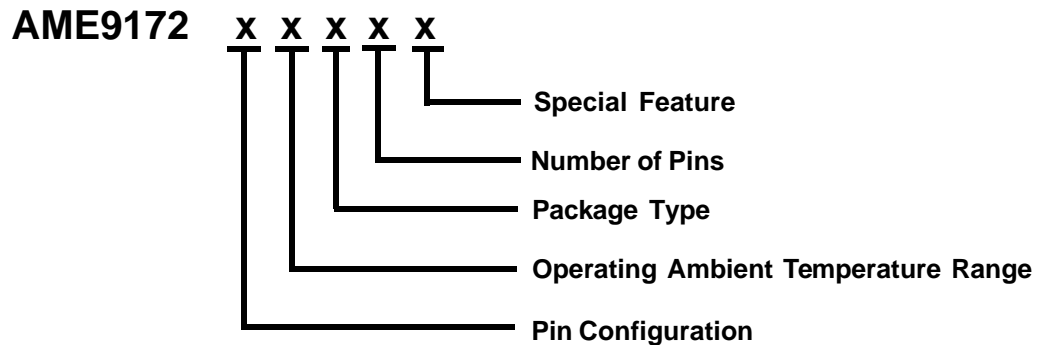
**■ Pin Configuration**

Part Number	Pin Configurations
AME9172AAHAZ (SOP-8)	

**AME9172 Pin Assignment**

Part Number	Pin Configurations
AME9172AAZAZ (SOP-8/PP)	 <p>NC= No internal connection   = Thermal Pad (Connected to GND plane for better heat dissipation). The Pad of dimension is 0.090 x 0.090 (Inch)</p>

**AME9172 Pin Assignment**

**AME9172**
**Bus Termination Regulator**
**■ Ordering Information**


Pin Configuration	Operating Ambient Temperature Range	Package Type	Number of Pins	Special Feature
A: 1. VIN (SOP-8) 2. GND 3. REF 4. VOUT 5. VCNT 6. VCNT 7. VCNT 8. VCNT  A: 1. VIN (SOP-8/PP) 2. GND 3. REF 4. VOUT 5. NC 6. VCNT 7. NC 8. NC	A: -25°C to 85°C	H: SOP Z: SOP/PP	A: 8	Z: Lead free

**■ Ordering Information**

Part Number	Marking*	Output Voltage	Package	Operating Ambient Temperature Range
AME9172AAHAZ	9172 AAHA yyww	N/A	SOP-8	-25°C to 85°C
AME9172AAZAZ	9172 AAZA yyww	N/A	SOP-8/PP	-25°C to 85°C

Note: yyww represents the date code.

\* A line on top of the first letter represents lead free plating such as  $\bar{9}$ 172

Please consult AME sales office or authorized Rep./Distributor for package type availability.



■ Pin Description

Pin name	Pin Description
VIN	Power Input
GND	Ground
VCNTL	Driving Voltage
REFEN	Input voltage reference & chip enable
VOUT	Output Voltage

**■ Absolute Maximum Ratings**

Symbol	Parameter	Rating	Unit
VIN	Input Voltage. VIN to GND	6	V
PD	Power Dissipation	Internally Limit	W
VESD	ESD Rating (Human Body Mode)	2	KV
TSTG	Storage Temperature	150	°C
TL	Lead Temperature (Soldering. 5sec)	245	°C

**■ Thermal Characteristics**

Symbol	Parameter	Symbol	Unit
$\theta_{JC}$	Thermal Resistance In Case		°C/W
	SOP-8	25.7	
	SOP-8/PP	12	

**■ Recommended Operating Conditions**

Symbol	Parameter	Rating	Unit
VIN	Supply Voltage to VIN	1.5 to 3.3	V
VCNT	Supply Voltage to VCNT	3.3	V
*I <sub>OUT</sub>	Output Current of VOUT Pin *	-2 to 2	A
T <sub>J</sub>	Junction Temperature	-25 to 125	°C

\* The symbol "+" means the VOUT sources current to load; the symbol "-" means the VOUT sinks current to GND

### ■ Electrical Specifications

Limits in standard typeface are for  $T_A = 25^\circ\text{C}$ , unless otherwise specified:

DDR1 =>  $V_{IN} = 2.5\text{V}$ ,  $V_{CNTL} = 3.3\text{V}$ ,  $V_{REFEN} = 0.5V_{IN}$ . (Note2)

Parameter	Symbol	Test Condition	Min	Typ	Max	Units	
Output Offset Voltage	$V_{OS}$	$I_{OUT} = 0\text{A}$ (Note 1)	-20	0	20	mV	
Load Regulation (DDR 1 / 2 / 3)	$V_{LOAD}$	$I_L = 0$ to 1.5A (Fig 4)	-20	0	20	mV	
		$I_L = 0$ to -1.5A	-20	0	20		
Input Voltage Range (DDR 1 / 2 / 3)	$V_{IN}$	Keep $V_{CNTL} \geq V_{IN}$ on operation power on and power off	DDR 1	1.8	2.5	4	V
			DDR 2	1.6	1.8	4	
			DDR 3	1.3	1.5	4	
			DDR 1 / 2 / 3	2.5	3.3	6	
Operating Current of $V_{CNTL}$	$I_{CNTL}$	No Load		1.4		mA	
Short Circuit Protection							
DDR 1 / 2 / 3 Current Limit	$I_{LIMIT}$	Fig 6,7	2.0			A	
Over Temperature Protection							
Thermal Shutdown Temperature	$T_{SD}$	$3.3\text{V} \leq V_{CNTL} \leq 5\text{V}$	125			°C	
Thermal Shutdown Hysteresis		Guaranteed by design		30			

Note1:  $V_{OS}$  offset is the voltage measurement defined as  $V_{OUT}$  subtracted from  $V_{REFEN}$ .

Note2: DDR3 =>  $V_{IN} = 1.5\text{V}$ ,  $V_{CNTL} = 3.3\text{V}$ ,  $V_{REFEN} = 0.5V_{IN}$



■ Test Circuit

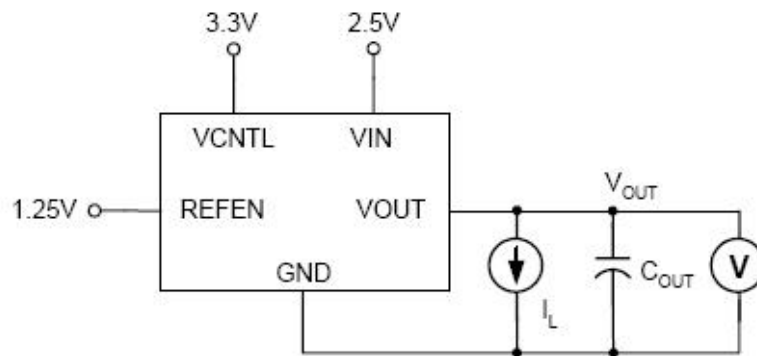


Fig 4: Output Voltage Tolerance,  $V_{OUT}$

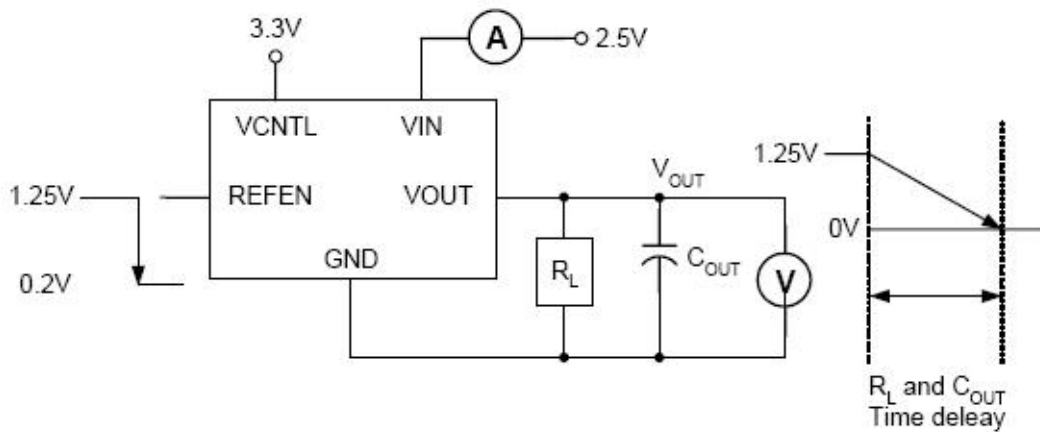


Fig 5: Current in Shutdown Mode,  $I_{SHDN}$

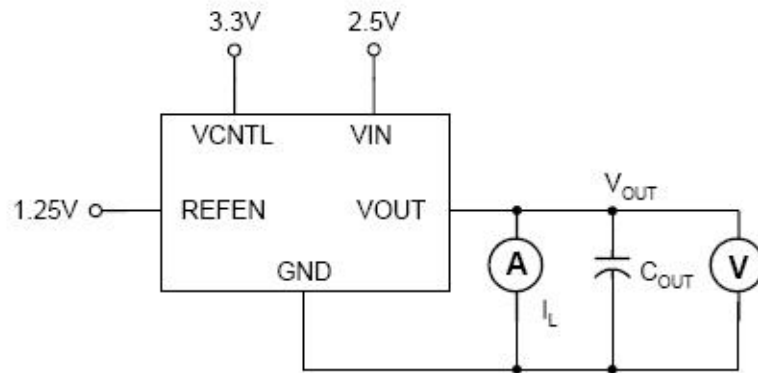


Figure 6: Current Limit for High Side,  $I_{CLHIGH}$

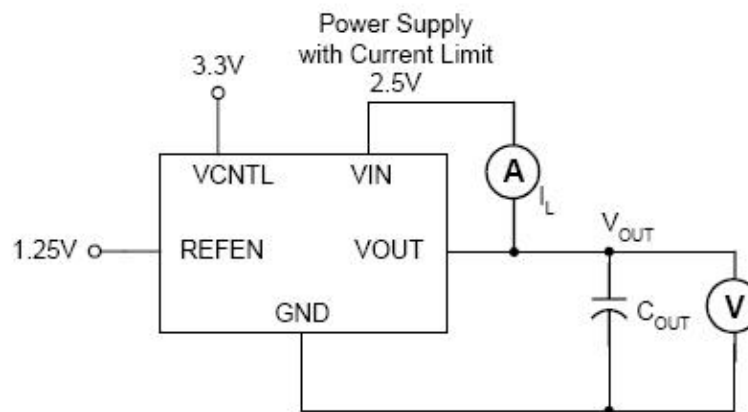
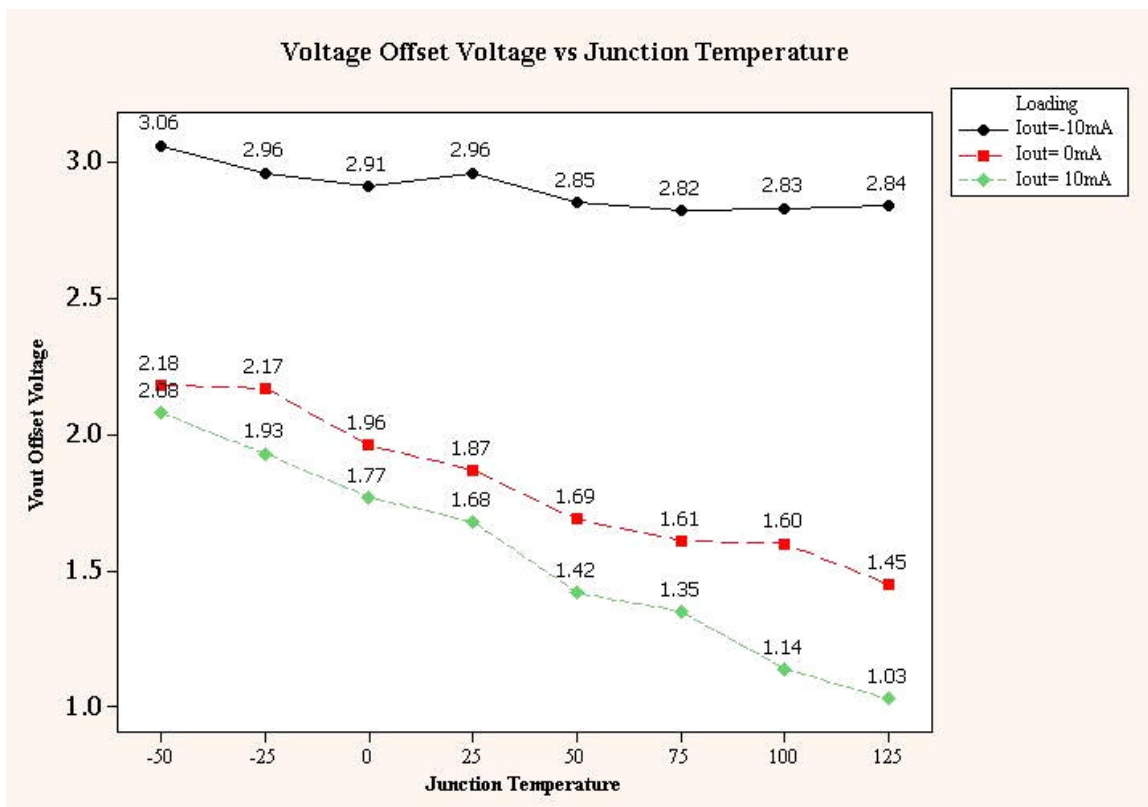
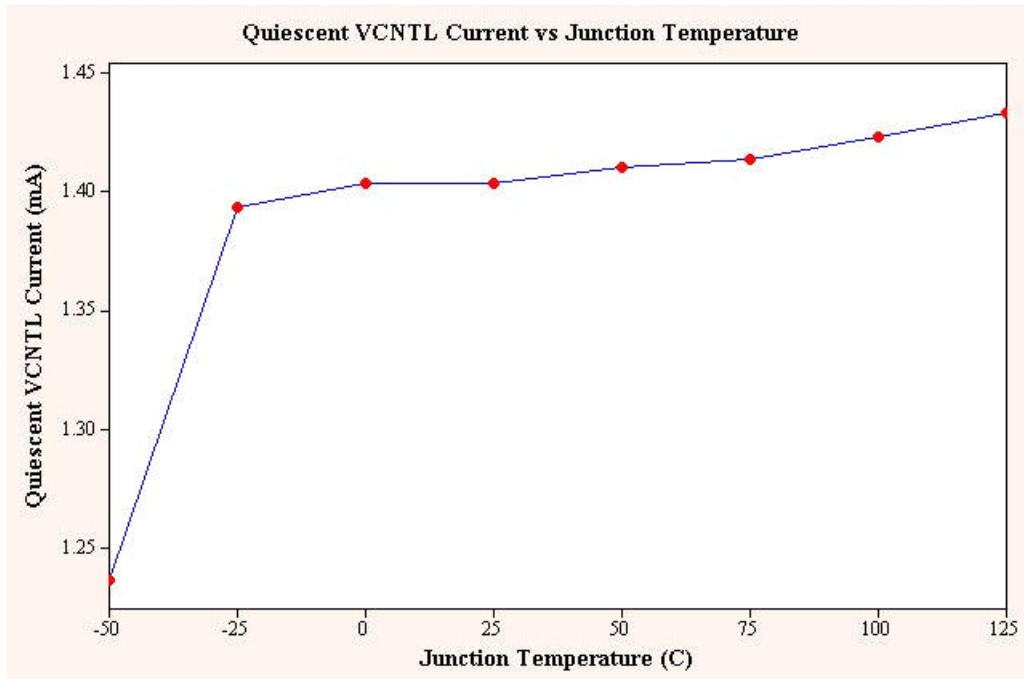
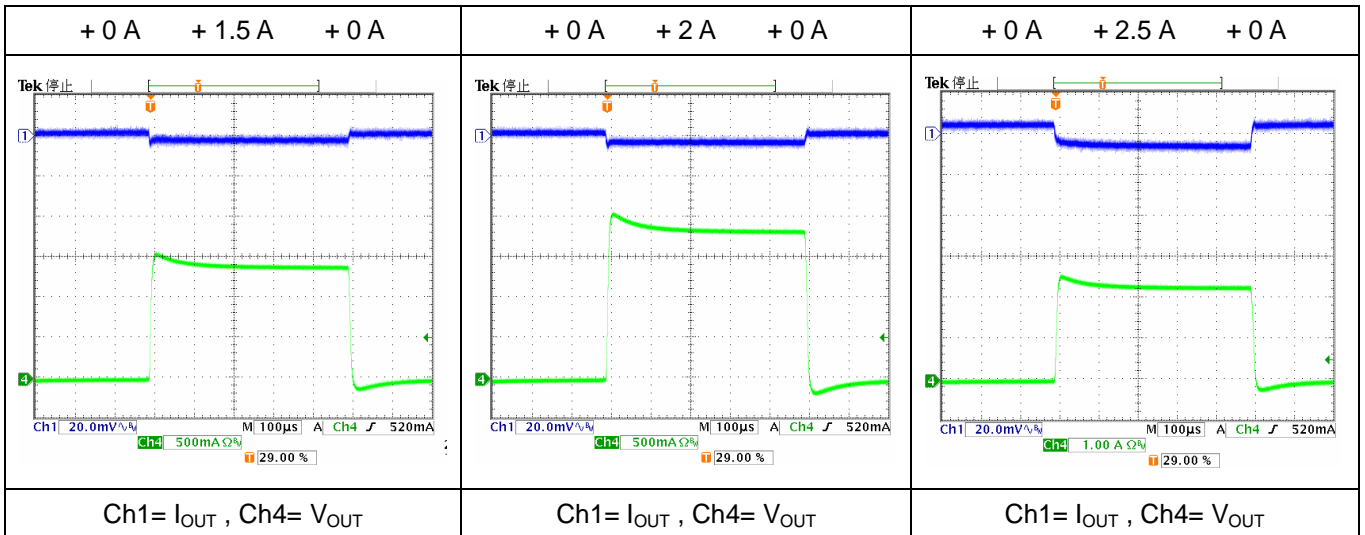


Figure 7: Current Limit for Low Side,  $I_{CLLOW}$

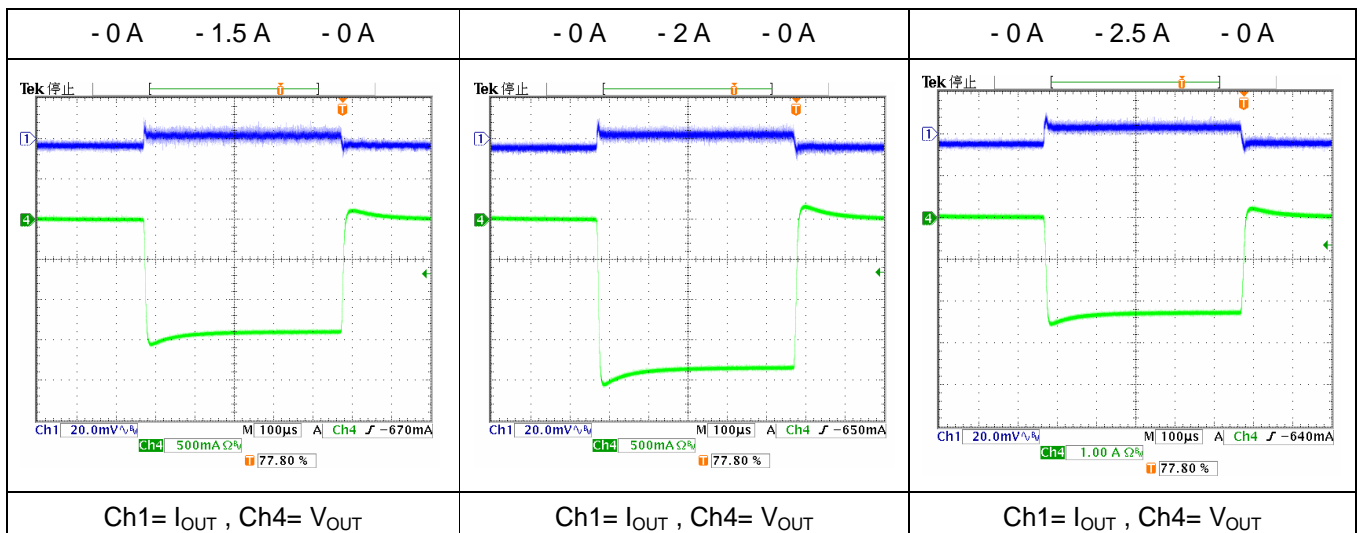
**■ Typical Characteristics**


**■ Operation Waveforms DDR1**
**Load Transient Response**

$V_{IN}=2.5V$ ,  $V_{CNTL}=3.3V$   
 $V_{REF}$  is 1.25V supplied by a regulator  
 $C_{OUT}=1000\mu F/35V$   
 $I_{OUT}$  slew rate =  $\pm 0.25A/mS$

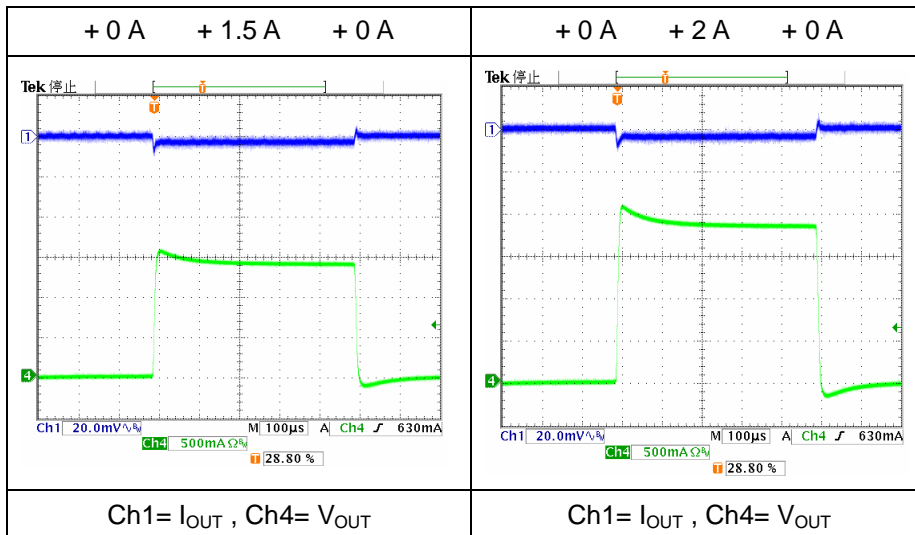

**Load Transient Response**

$V_{IN}=2.5V$ ,  $V_{CNTL}=3.3V$   
 $V_{REF}$  is 1.25V supplied by a regulator  
 $C_{OUT}=1000\mu F/35V$   
 $I_{OUT}$  slew rate =  $\pm 0.25A/mS$

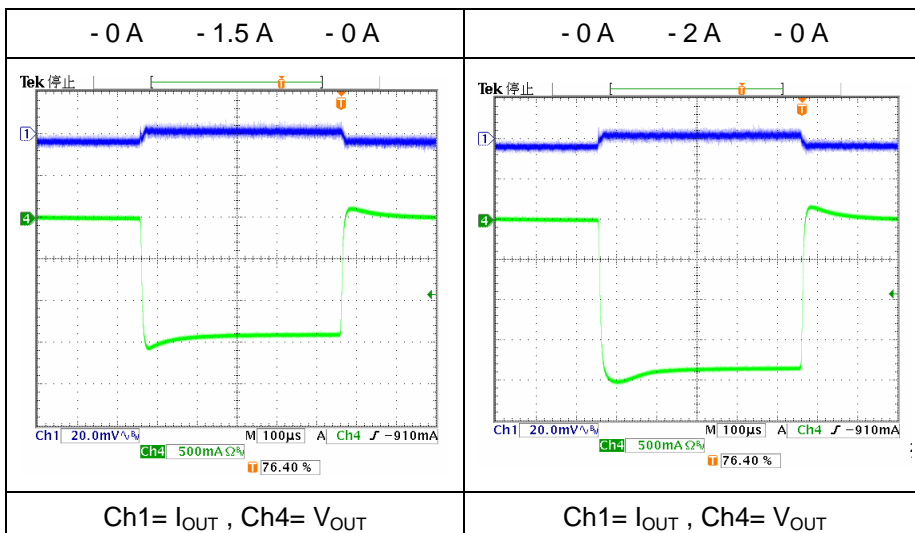


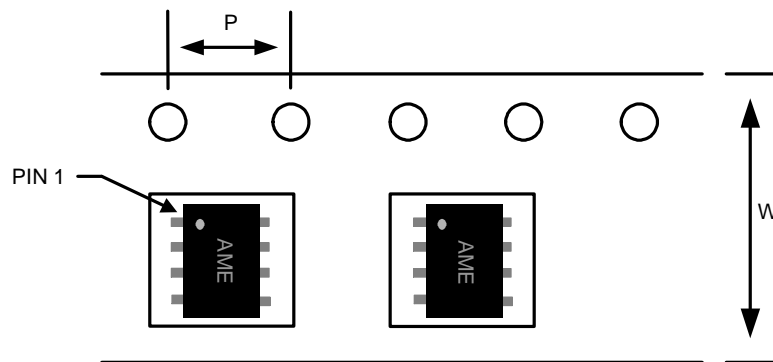
**■ Operation Waveforms DDR3**
**Load Transient Response**

$V_{IN}=1.5V$ ,  $V_{CNTL}=3.3V$   
 $V_{REF}$  is 0.75V supplied by a regulator  
 $C_{OUT}=1000\mu F/35V$   
 $I_{OUT}$  slew rate =  $\pm 0.25A/mS$

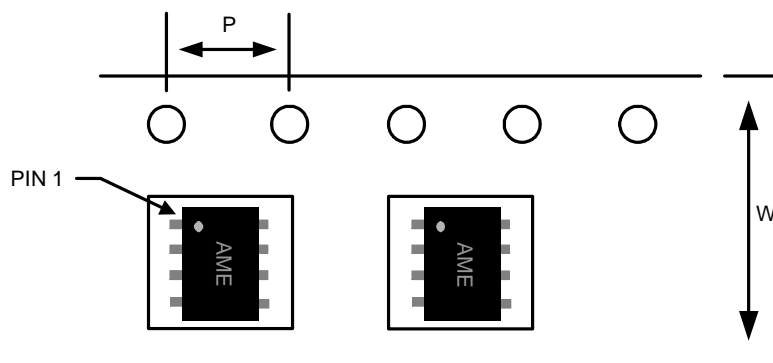

**Load Transient Response**

$V_{IN}=1.5V$ ,  $V_{CNTL}=3.3V$   
 $V_{REF}$  is 0.75V supplied by a regulator  
 $C_{OUT}=1000\mu F/35V$   
 $I_{OUT}$  slew rate =  $\pm 0.25A/mS$

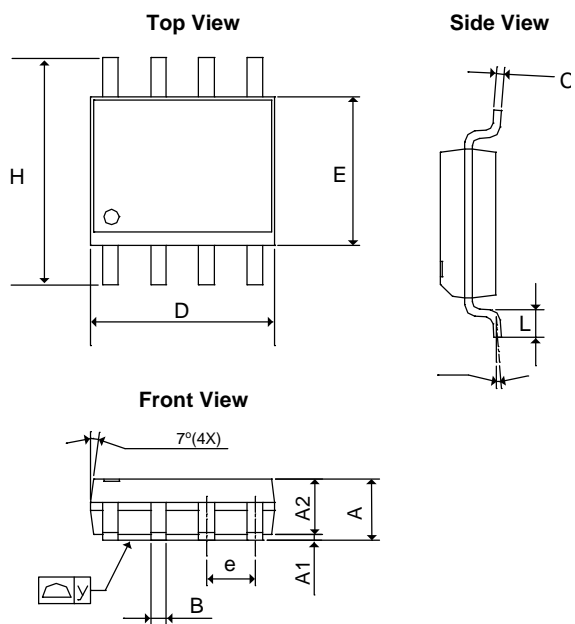


**■ Tape and Reel Dimension**
**SOP-8**

**Carrier Tape, Number of Components Per Reel and Reel Size**

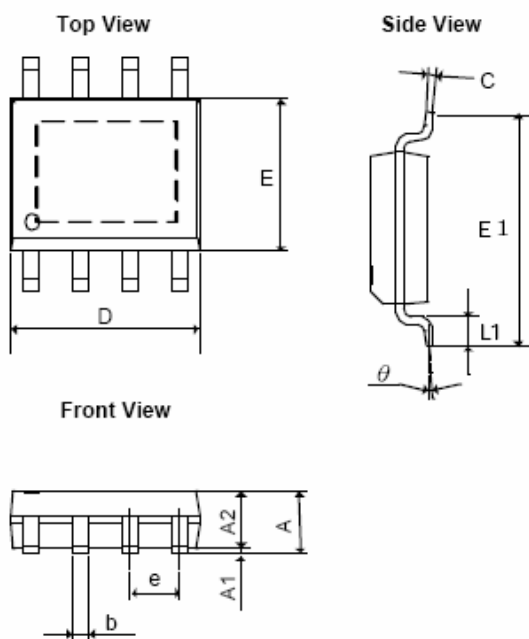
Package	Carrier Width (W)	Pitch (P)	Part Per Full Reel	Reel Size
SOP-8	12.0±0.1 mm	4.0±0.1 mm	2500pcs	330±1 mm

**SOP-8/PP**

**Carrier Tape, Number of Components Per Reel and Reel Size**

Package	Carrier Width (W)	Pitch (P)	Part Per Full Reel	Reel Size
SOP-8/PP	12.0±0.1 mm	4.0±0.1 mm	2500pcs	330±1 mm

**■ Package Dimension**
**SOP-8**


SYMBOLS	MILLIMETERS		INCHES	
	MIN	MAX	MIN	MAX
A	1.35	1.75	0.05315	0.0689
A <sub>1</sub>	0.10	0.30	0.00394	0.01181
A <sub>2</sub>	1.473 REF		0.05799 REF	
B	0.33	0.51	0.01299	0.02008
C	0.19	0.25	0.00748	0.00984
D	4.80	5.33	0.18898	0.20984
E	3.80	4.00	0.14961	0.15748
e	1.27 BSC		0.05000 BSC	
L	0.40	1.27	0.01575	0.05000
H	5.80	6.30	0.22835	0.24803
y	-	0.10	-	0.00394
q	0°	8°	0°	8°

**SOP-8/PP**


SYMBOLS	MILLIMETERS		INCHES	
	MIN	MAX	MIN	MAX
A	-	1.700	-	0.067
A <sub>1</sub>	0.050	0.150	0.002	0.006
A <sub>2</sub>	1.350	1.550	0.053	0.061
C	0.100	0.250	0.004	0.010
E	3.750	4.150	0.148	0.163
E <sub>1</sub>	5.700	6.300	0.224	0.248
L	0.300	0.700	0.012	0.028
b	0.310	0.510	0.012	0.020
D	4.720	5.120	0.186	0.202
e	1.270 BSC		0.05 BSC	
q	0°	8°	0°	8°



**www.ame.com.tw**  
**E-Mail: sales@ame.com.tw**

Life Support Policy:

These products of AME, Inc. are not authorized for use as critical components in life-support devices or systems, without the express written approval of the president of AME, Inc.

AME, Inc. reserves the right to make changes in the circuitry and specifications of its devices and advises its customers to obtain the latest version of relevant information.

© AME, Inc. , September 2007  
Document: 5007-DS9172-A.01

**Corporate Headquarter**  
**AME, Inc.**

2F, 302 Rui-Guang Road, Nei-Hu District  
Taipei 114, Taiwan.  
Tel: 886 2 2627-8687  
Fax: 886 2 2659-2989

**U.S.A (Subsidiary)**  
**Analog Microelectronics, Inc.**

3100 De La Cruz Blvd., Suite 201  
Santa Clara, CA. 95054-2046  
Tel : (408) 988-2388  
Fax: (408) 988-2489