

Ethernet DC/DC Converter

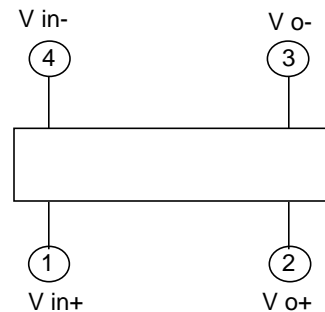
EPC1005P

- Designed for Low Common Mode Noise •
- Fuse Protected •
- 70% Min. Efficiency at Full Load @ Nominal Input Voltage •
- Input Filter to Reduce Input Ripple Current •
(Less than 10 mA p-p Typical)
- Input/Output Isolation : 500 Vrms •

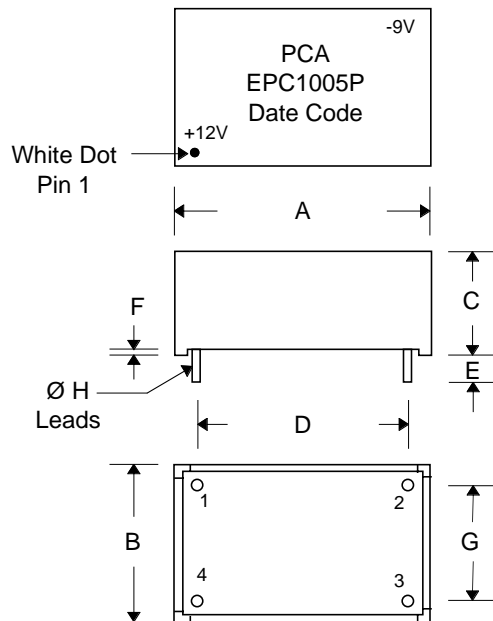
Electrical Specifications

Parameters	Min.	Typ.	Max.	Units
Input Voltage (for specified output)	7.5	12	16	Volts
Output Voltage	-8.55	-9	-9.45	Volts
Output Current	---	---	250	mA
Output Ripple & Noise @ 20 MHz BW	---	---	100	mV p-p
Input Ripple Current	---	---	10	mV p-p

Pin Connections



Package E4



Dimensions

Dim.	(Inches)			(millimeters)		
	Min.	Max.	Nom.	Min.	Max.	Nom.
A	1.280	1.300	1.290	32.51	33.02	32.77
B	.780	.800	.790	19.81	20.32	20.07
C	---	.530	---	---	13.46	---
D	---	---	1.100	---	---	27.94
E	.110	---	.140	2.79	---	3.56
F	---	---	.015	---	---	.381
G	---	---	.600	---	---	15.24
H	---	---	.025	---	---	.635