



ALL RIGHTS RESERVED. NO PORTION OF THIS PUBLICATION, WHETHER IN WHOLE OR IN PART CAN BE REPRODUCED WITHOUT THE EXPRESS WRITTEN CONSENT OF SPC TECHNOLOGY.

SPC-F008.DWG

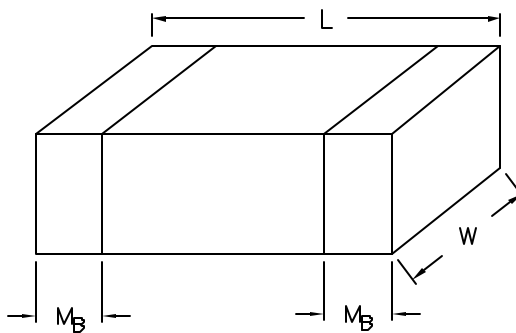
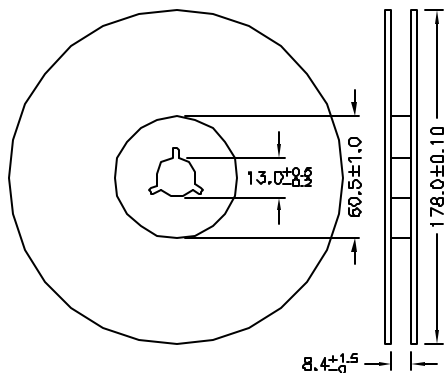
REVISIONS

DOC. NO. SPC-F005 * Effective: 7/8/02 * DCP No: 1308

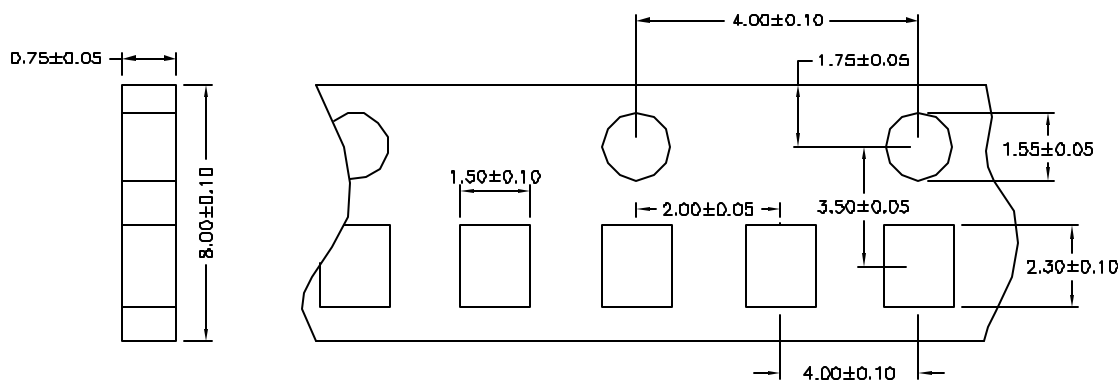
DCP #	REV	DESCRIPTION	DRAWN	DATE	CHECKD	DATE	APPRVD	DATE
2032	A	Released	JN	03/05/09	JWM	03/05/09	JWM	03/05/09



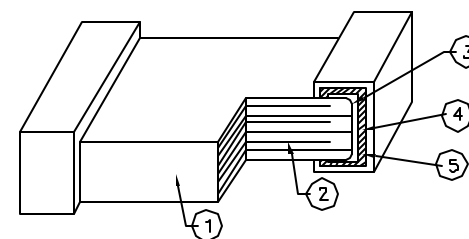
Tape & Reel Dimension



Capacitor Dimension		
L (mm)	W (mm)	M _B
2.00±0.15	1.25±0.1	0.50±0.20



NO.	Name	NPO/X7R	X7R/X5R/Y5V
1	Ceramic material	BaTiO3 based	
2	Inner electrode	AgPd alloy	Ni
3	Termination	Inner layer	Ag
4		Middle layer	Ni
5		Outer layer	Sn (Matt)



DISCLAIMER:
ALL STATEMENTS AND TECHNICAL INFORMATION CONTAINED HEREIN ARE BASED UPON INFORMATION AND/OR TESTS WE BELIEVE TO BE ACCURATE AND RELIABLE. SINCE CONDITIONS OF USE ARE BEYOND OUR CONTROL, THE USER SHALL DETERMINE THE SUITABILITY OF THE PRODUCT FOR THE INTENDED USE AND ASSUME ALL RISK AND LIABILITY WHATSOEVER IN CONNECTION THEREWITH.

TOLERANCES:
UNLESS OTHERWISE SPECIFIED, DIMENSIONS ARE FOR REFERENCE PURPOSES ONLY.

DRAWN BY:	DATE:
Jason Nash	03/05/09
CHECKED BY:	DATE:
Jeff McVicker	03/05/09
APPROVED BY:	DATE:
Jeff McVicker	03/05/09

DRAWING TITLE: Multilayer Ceramic Capacitors			
SIZE	DWG. NO.	ELECTRONIC FILE	REV
A	Ta-1100	Ta-1100.dwg	A
SCALE: NTS	U.O.M.: INCHES [mm]	SHEET: 1 OF 5	

Manufacturers part number	Sell Unit of Measure	Reel Quantity	Capacitance	Capacitance Tolerance	Dielectric Characteristic	Package/Case	Voltage Rating
MC0805F106Z6R3CT	TC		10 µF	+80, -20%	Y5V	0805	6.3 VDC
MC0805F106Z6R3CT	TR	4000	10 µF	+80, -20%	Y5V	0805	6.3 VDC
MC0805B103K500CT	TC		0.01 µF	± 10%	X7R	0805	50 VDC
MC0805B103K500CT	TR	4000	0.01 µF	± 10%	X7R	0805	50 VDC
MC0805B103M500CT	TC		0.01 µF	± 20%	X7R	0805	50 VDC
MC0805B103M500CT	TR	4000	0.01 µF	± 10%	X7R	0805	50 VDC
MC0805B104K500CT	TC		0.01 µF	± 10%	X7R	0805	50 VDC
MC0805B104K500CT	TR	4000	0.01 µF	± 10%	X7R	0805	50 VDC
MC0805B104M500CT	TC		0.01 µF	± 20%	X7R	0805	50 VDC
MC0805F103Z500CT	TC		0.01 µF	+80, -20%	Y5V	0805	50 VDC
MC0805F103Z500CT	TR	4000	0.01 µF	+80, -20%	Y5V	0805	50 VDC
MC0805F104Z500CT	TC		0.01 µF	+80, -20%	Y5V	0805	50 VDC
MC0805F104Z500CT	TR	4000	0.01 µF	+80, -20%	Y5V	0805	50 VDC
MC0805B123K500CT	TC		0.012 µF	± 10%	X7R	0805	50 VDC
MC0805B123K500CT	TR	4000	0.012 µF	± 10%	X7R	0805	50 VDC
MC0805B183K500CT	TC		0.018 µF	± 10%	X7R	0805	50 VDC
MC0805B183K500CT	TR	4000	0.018 µF	± 10%	X7R	0805	50 VDC
MC0805B223K500CT	TC		0.022 µF	± 10%	X7R	0805	50 VDC
MC0805B223K500CT	TR	4000	0.022 µF	± 10%	X7R	0805	50 VDC
MC0805B223M500CT	TC		0.022 µF	± 20%	X7R	0805	50 VDC
MC0805F223Z500CT	TC		0.022 µF	+80, -20%	Y5V	0805	50 VDC
MC0805F223Z500CT	TR	4000	0.022 µF	+80, -20%	Y5V	0805	50 VDC
MC0805B273K500CT	TC		0.027 µF	± 10%	X7R	0805	50 VDC
MC0805B273K500CT	TR	4000	0.027 µF	± 10%	X7R	0805	50 VDC
MC0805B333K500CT	TC		0.033 µF	± 10%	X7R	0805	50 VDC
MC0805B333K500CT	TR	4000	0.033 µF	± 10%	X7R	0805	50 VDC
MC0805B333M500CT	TC		0.033 µF	± 20%	X7R	0805	50 VDC
MC0805F333Z500CT	TC		0.033 µF	+80, -20%	Y5V	0805	50 VDC
MC0805F333Z500CT	TR	4000	0.033 µF	+80, -20%	Y5V	0805	50 VDC
MC0805B393K500CT	TC		0.039 µF	± 10%	X7R	0805	50 VDC
MC0805B393K500CT	TR	4000	0.039 µF	± 10%	X7R	0805	50 VDC
MC0805B473K500CT	TC		0.047 µF	± 10%	X7R	0805	50 VDC
MC0805B473K500CT	TR	4000	0.047 µF	± 10%	X7R	0805	50 VDC
MC0805B473M500CT	TC		0.047 µF	± 20%	X7R	0805	50 VDC
MC0805F473Z500CT	TC		0.047 µF	+80, -20%	Y5V	0805	50 VDC
MC0805F473Z500CT	TR	4000	0.047 µF	+80, -20%	Y5V	0805	50 VDC
MC0805B563K500CT	TC		0.056 µF	± 10%	X7R	0805	50 VDC
MC0805B563K500CT	TR	4000	0.056 µF	± 10%	X7R	0805	50 VDC
MC0805B683K500CT	TC		0.068 µF	± 10%	X7R	0805	50 VDC
MC0805B683K500CT	TR	4000	0.068 µF	± 10%	X7R	0805	50 VDC
MC0805B683M500CT	TC		0.068 µF	± 20%	X7R	0805	50 VDC
MC0805F683Z500CT	TC		0.068 µF	+80, -20%	Y5V	0805	50 VDC
MC0805F683Z500CT	TR	4000	0.068 µF	+80, -20%	Y5V	0805	50 VDC
MC0805B823K500CT	TC		0.082 µF	± 10%	X7R	0805	50 VDC
MC0805B823K500CT	TR	4000	0.082 µF	± 10%	X7R	0805	50 VDC
MC0805B153K500CT	TC		0.15 µF	± 10%	X7R	0805	50 VDC
MC0805B153K500CT	TR	4000	0.15 µF	± 10%	X7R	0805	50 VDC

Manufacturers part number	Sell Unit of Measure	Reel Quantity	Capacitance	Capacitance Tolerance	Dielectric Characteristic	Package/Case	Voltage Rating
MC0805B153M500CT	TC		0.15 µF	± 20%	X7R	0805	50 VDC
MC0805F153Z500CT	TC		0.15 µF	+80, -20%	Y5V	0805	50 VDC
MC0805F153Z500CT	TR	4000	0.15 µF	+80, -20%	Y5V	0805	50 VDC
MC0805F154Z500CT	TC		0.15 µF	+80, -20%	Y5V	0805	50 VDC
MC0805F154Z500CT	TR	4000	0.15 µF	+80, -20%	Y5V	0805	50 VDC
MC0805F224Z500CT	TC		0.22 µF	+80, -20%	Y5V	0805	50 VDC
MC0805F224Z500CT	TR	4000	0.22 µF	+80, -20%	Y5V	0805	50 VDC
MC0805N0R5C500CT	TC		0.5 pF	± 0.25pF	NP0	0805	50 VDC
MC0805N0R5C500CT	TR	4000	0.5 pF	± 0.25pF	NP0	0805	50 VDC
MC0805N1R0C500CT	TC		1 pF	± 0.25pF	NP0	0805	50 VDC
MC0805N1R0C500CT	TR	4000	1 pF	± 0.25pF	NP0	0805	50 VDC
MC0805N1R5C500CT	TC		1.5 pF	± 0.25pF	NP0	0805	50 VDC
MC0805N1R5C500CT	TR	4000	1.5 pF	± 0.25pF	NP0	0805	50 VDC
MC0805N100D500CT	TC		10 pF	± 0.5pF	NP0	0805	50 VDC
MC0805N100D500CT	TR	4000	10 pF	± 0.5pF	NP0	0805	50 VDC
MC0805N101J500CT	TC		100 pF	± 5%	NP0	0805	50 VDC
MC0805N101J500CT	TR	4000	100 pF	± 5%	NP0	0805	50 VDC
MC0805N101K500CT	TC		100 pF	± 10%	NP0	0805	50 VDC
MC0805B102K500CT	TC		1000 pF	± 10%	X7R	0805	50 VDC
MC0805B102K500CT	TR	4000	1000 pF	± 10%	X7R	0805	50 VDC
MC0805B102M500CT	TC		1000 pF	± 20%	X7R	0805	50 VDC
MC0805N102J500CT	TC		1000 pF	± 5%	NP0	0805	50 VDC
MC0805N102J500CT	TR	4000	1000 pF	± 5%	NP0	0805	50 VDC
MC0805N102K500CT	TC		1000 pF	± 10%	NP0	0805	50 VDC
MC0805N120J500CT	TC		12 pF	± 5%	NP0	0805	50 VDC
MC0805N120J500CT	TR	4000	12 pF	± 5%	NP0	0805	50 VDC
MC0805N121J500CT	TC		120 pF	± 5%	NP0	0805	50 VDC
MC0805N121J500CT	TR	4000	120 pF	± 5%	NP0	0805	50 VDC
MC0805N121K500CT	TC		120 pF	± 10%	NP0	0805	50 VDC
MC0805B122K500CT	TC		1200 pF	± 10%	X7R	0805	50 VDC
MC0805B122K500CT	TR	4000	1200 pF	± 10%	X7R	0805	50 VDC
MC0805N122J500CT	TC		1200 pF	± 5%	NP0	0805	50 VDC
MC0805N122J500CT	TR	4000	1200 pF	± 5%	NP0	0805	50 VDC
MC0805N150J500CT	TC		15 pF	± 5%	NP0	0805	50 VDC
MC0805N150J500CT	TR	4000	15 pF	± 5%	NP0	0805	50 VDC
MC0805N151J500CT	TC		150 pF	± 5%	NP0	0805	50 VDC
MC0805N151J500CT	TR	4000	150 pF	± 5%	NP0	0805	50 VDC
MC0805N151K500CT	TC		150 pF	± 10%	NP0	0805	50 VDC
MC0805B152K500CT	TC		1500 pF	± 10%	X7R	0805	50 VDC
MC0805B152K500CT	TR	4000	1500 pF	± 10%	X7R	0805	50 VDC
MC0805B152M500CT	TC		1500 pF	± 20%	X7R	0805	50 VDC
MC0805N152J500CT	TC		1500 pF	± 5%	NP0	0805	50 VDC
MC0805N152J500CT	TR	4000	1500 pF	± 5%	NP0	0805	50 VDC
MC0805N152K500CT	TC		1500 pF	± 10%	NP0	0805	50 VDC
MC0805N180J500CT	TC		18 pF	± 5%	NP0	0805	50 VDC

ALL RIGHTS RESERVED. NO PORTION OF THIS PUBLICATION, WHETHER IN WHOLE OR IN PART CAN BE REPRODUCED WITHOUT THE EXPRESS WRITTEN CONSENT OF SPC TECHNOLOGY.

SIZE
A

DWG. NO.

Ta-1100

ELECTRONIC FILE

Ta-1100.DWG

REV

A

SPC-F005.DWG

DOC. NO. SPC-F005 * Effective: 7/8/02 * DCP No: 1388

SCALE: NTS

U.O.M.: Millimeters

SHEET: 2 OF 5

Manufacturers part number	Sell Unit of Measure	Reel Quantity	Capacitance	Capacitance Tolerance	Dielectric Characteristic	Package/Case	Voltage Rating
MC0805N180J500CT	TR	4000	18 pF	± 5%	NP0	0805	50 VDC
MC0805N181J500CT	TC		180 pF	± 5%	NP0	0805	50 VDC
MC0805N181J500CT	TR	4000	180 pF	± 5%	NP0	0805	50 VDC
MC0805N181K500CT	TC		180 pF	± 10%	NP0	0805	50 VDC
MC0805B182K500CT	TC		1800 pF	± 10%	X7R	0805	50 VDC
MC0805B182K500CT	TR	4000	1800 pF	± 10%	X7R	0805	50 VDC
MC0805N182J500CT	TC		1800 pF	± 5%	NP0	0805	50 VDC
MC0805N182J500CT	TR	4000	1800 pF	± 5%	NP0	0805	50 VDC
MC0805N182K500CT	TC		1800 pF	± 10%	NP0	0805	50 VDC
MC0805N2R0C500CT	TC		2 pF	± 0.25pF	NP0	0805	50 VDC
MC0805N2R0C500CT	TR	4000	2 pF	± 0.25pF	NP0	0805	50 VDC
MC0805N220J500CT	TC		22 pF	± 5%	NP0	0805	50 VDC
MC0805N220J500CT	TR	4000	22 pF	± 5%	NP0	0805	50 VDC
MC0805B221K500CT	TC		220 pF	± 10%	X7R	0805	50 VDC
MC0805B221K500CT	TR	4000	220 pF	± 10%	X7R	0805	50 VDC
MC0805N221J500CT	TC		220 pF	± 5%	NP0	0805	50 VDC
MC0805N221J500CT	TR	4000	220 pF	± 5%	NP0	0805	50 VDC
MC0805N221K500CT	TC		220 pF	± 10%	NP0	0805	50 VDC
MC0805B222K500CT	TC		2200 pF	± 10%	X7R	0805	50 VDC
MC0805B222K500CT	TR	4000	2200 pF	± 10%	X7R	0805	50 VDC
MC0805B222M500CT	TC		2200 pF	± 20%	X7R	0805	50 VDC
MC0805N222J500CT	TC		2200 pF	± 5%	NP0	0805	50 VDC
MC0805N222J500CT	TR	4000	2200 pF	± 5%	NP0	0805	50 VDC
MC0805N222K500CT	TC		2200 pF	± 10%	NP0	0805	50 VDC
MC0805N270J500CT	TC		27 pF	± 5%	NP0	0805	50 VDC
MC0805N270J500CT	TR	4000	27 pF	± 5%	NP0	0805	50 VDC
MC0805N270K500CT	TC		27 pF	± 10%	NP0	0805	50 VDC
MC0805B271K500CT	TC		270 pF	± 10%	X7R	0805	50 VDC
MC0805B271K500CT	TR	4000	270 pF	± 10%	X7R	0805	50 VDC
MC0805N271J500CT	TC		270 pF	± 5%	NP0	0805	50 VDC
MC0805N271J500CT	TR	4000	270 pF	± 5%	NP0	0805	50 VDC
MC0805N271K500CT	TC		270 pF	± 10%	NP0	0805	50 VDC
MC0805B272K500CT	TC		2700 pF	± 10%	X7R	0805	50 VDC
MC0805B272K500CT	TR	4000	2700 pF	± 10%	X7R	0805	50 VDC
MC0805N272J500CT	TC		2700 pF	± 5%	NP0	0805	50 VDC
MC0805N272J500CT	TR	4000	2700 pF	± 5%	NP0	0805	50 VDC
MC0805N272K500CT	TC		2700 pF	± 10%	NP0	0805	50 VDC
MC0805N3R0C500CT	TC		3 pF	± 0.25pF	NP0	0805	50 VDC
MC0805N3R0C500CT	TR	4000	3 pF	± 0.25pF	NP0	0805	50 VDC
MC0805N330J500CT	TC		33 pF	± 5%	NP0	0805	50 VDC
MC0805N330J500CT	TR	4000	33 pF	± 5%	NP0	0805	50 VDC
MC0805N330K500CT	TC		33 pF	± 10%	NP0	0805	50 VDC
MC0805B331K500CT	TC		330 pF	± 10%	X7R	0805	50 VDC
MC0805B331K500CT	TR	4000	330 pF	± 10%	X7R	0805	50 VDC
MC0805N331J500CT	TC		330 pF	± 5%	NP0	0805	50 VDC
MC0805N331J500CT	TR	4000	330 pF	± 5%	NP0	0805	50 VDC

Manufacturers part number	Sell Unit of Measure	Reel Quantity	Capacitance	Capacitance Tolerance	Dielectric Characteristic	Package/Case	Voltage Rating
MC0805N331K500CT	TC		330 pF	± 10%	NP0	0805	50 VDC
MC0805B332K500CT	TC		3300 pF	± 10%	X7R	0805	50 VDC
MC0805B332K500CT	TR	4000	3300 pF	± 10%	X7R	0805	50 VDC
MC0805B332M500CT	TC		3300 pF	± 20%	X7R	0805	50 VDC
MC0805N390J500CT	TC		39 pF	± 5%	NP0	0805	50 VDC
MC0805N390J500CT	TR	4000	39 pF	± 5%	NP0	0805	50 VDC
MC0805N390K500CT	TC		39 pF	± 10%	NP0	0805	50 VDC
MC0805B391K500CT	TC		390 pF	± 10%	X7R	0805	50 VDC
MC0805B391K500CT	TR	4000	390 pF	± 10%	X7R	0805	50 VDC
MC0805N391J500CT	TC		390 pF	± 5%	NP0	0805	50 VDC
MC0805N391J500CT	TR	4000	390 pF	± 5%	NP0	0805	50 VDC
MC0805N391K500CT	TC		390 pF	± 10%	NP0	0805	50 VDC
MC0805B392K500CT	TC		3900 pF	± 10%	X7R	0805	50 VDC
MC0805B392K500CT	TR	4000	3900 pF	± 10%	X7R	0805	50 VDC
MC0805N4R0C500CT	TC		4 pF	± 0.25pF	NP0	0805	50 VDC
MC0805N4R0C500CT	TR	4000	4 pF	± 0.25pF	NP0	0805	50 VDC
MC0805N470J500CT	TC		47 pF	± 5%	NP0	0805	50 VDC
MC0805N470J500CT	TR	4000	47 pF	± 5%	NP0	0805	50 VDC
MC0805N470K500CT	TC		47 pF	± 10%	NP0	0805	50 VDC
MC0805B471K500CT	TC		470 pF	± 10%	X7R	0805	50 VDC
MC0805B471K500CT	TR	4000	470 pF	± 10%	X7R	0805	50 VDC
MC0805N471J500CT	TC		470 pF	± 5%	NP0	0805	50 VDC
MC0805N471J500CT	TR	4000	470 pF	± 5%	NP0	0805	50 VDC
MC0805N471K500CT	TC		470 pF	± 10%	NP0	0805	50 VDC
MC0805B472K500CT	TC		4700 pF	± 10%	X7R	0805	50 VDC
MC0805B472K500CT	TR	4000	4700 pF	± 10%	X7R	0805	50 VDC
MC0805B472M500CT	TC		4700 pF	± 20%	X7R	0805	50 VDC
MC0805N5R0C500CT	TC		5 pF	± 0.25pF	NP0	0805	50 VDC
MC0805N5R0C500CT	TR	4000	5 pF	± 0.25pF	NP0	0805	50 VDC
MC0805N560J500CT	TC		56 pF	± 5%	NP0	0805	50 VDC
MC0805N560J500CT	TR	4000	56 pF	± 5%	NP0	0805	50 VDC
MC0805N560K500CT	TC		56 pF	± 10%	NP0	0805	50 VDC
MC0805B561K500CT	TC		560 pF	± 10%	X7R	0805	50 VDC
MC0805B561K500CT	TR	4000	560 pF	± 10%	X7R	0805	50 VDC
MC0805N561J500CT	TC		560 pF	± 5%	NP0	0805	50 VDC
MC0805N561J500CT	TR	4000	560 pF	± 5%	NP0	0805	50 VDC
MC0805N561K500CT	TC		560 pF	± 10%	NP0	0805	50 VDC
MC0805B562K500CT	TC		5600 pF	± 10%	X7R	0805	50 VDC
MC0805B562K500CT	TR	4000	5600 pF	± 10%	X7R	0805	50 VDC
MC0805N6R0D500CT	TC		6 pF	± 0.5pF	NP0	0805	50 VDC
MC0805N6R0D500CT	TR	4000	6 pF	± 0.5pF	NP0	0805	50 VDC
MC0805N680J500CT	TC		68 pF	± 5%	NP0	0805	50 VDC
MC0805N680J500CT	TR	4000	68 pF	± 5%	NP0	0805	50 VDC
MC0805N680K500CT	TC		68 pF	± 10%	NP0	0805	50 VDC
MC0805B681K500CT	TC		680 pF	± 10%	X7R	0805	50 VDC
MC0805B681K500CT	TR	4000	680 pF	± 10%	X7R	0805	50 VDC

Manufacturers part number	Sell Unit of Measure	Reel Quantity	Capacitance	Capacitance Tolerance	Dielectric Characteristic	Package/Case	Voltage Rating
MC0805N681J500CT	TC		680 pF	± 5%	NP0	0805	50 VDC
MC0805N681J500CT	TR	4000	680 pF	± 5%	NP0	0805	50 VDC
MC0805N681K500CT	TC		680 pF	± 10%	NP0	0805	50 VDC
MC0805B682K500CT	TC		6800 pF	± 10%	X7R	0805	50 VDC
MC0805B682K500CT	TR	4000	6800 pF	± 10%	X7R	0805	50 VDC
MC0805B682M500CT	TC		6800 pF	± 20%	X7R	0805	50 VDC
MC0805N7R0D500CT	TC		7 pF	± 0.5pF	NP0	0805	50 VDC
MC0805N7R0D500CT	TR	4000	7 pF	± 0.5pF	NP0	0805	50 VDC
MC0805N820J500CT	TC		82 pF	± 5%	NP0	0805	50 VDC
MC0805N820J500CT	TR	4000	82 pF	± 5%	NP0	0805	50 VDC
MC0805N820K500CT	TC		82 pF	± 10%	NP0	0805	50 VDC
MC0805B821K500CT	TC		820 pF	± 10%	X7R	0805	50 VDC
MC0805B821K500CT	TR	4000	820 pF	± 10%	X7R	0805	50 VDC
MC0805N821J500CT	TC		820 pF	± 5%	NP0	0805	50 VDC
MC0805N821J500CT	TR	4000	820 pF	± 5%	NP0	0805	50 VDC
MC0805N821K500CT	TC		820 pF	± 10%	NP0	0805	50 VDC
MC0805B822K500CT	TC		8200 pF	± 10%	X7R	0805	50 VDC
MC0805B822K500CT	TR	4000	8200 pF	± 10%	X7R	0805	50 VDC
MC0805N9R0D500CT	TC		9 pF	± 0.5pF	NP0	0805	50 VDC
MC0805N9R0D500CT	TR	4000	9 pF	± 0.5pF	NP0	0805	50 VDC
MC0805B104K250CT	TC		0.01 µF	± 10%	X7R	0805	25 VDC
MC0805B104K250CT	TR	4000	0.01 µF	± 10%	X7R	0805	25 VDC
MC0805B104M250CT	TC		0.01 µF	± 20%	X7R	0805	25 VDC
MC0805F104Z250CT	TC		0.01 µF	+80, -20%	Y5V	0805	25 VDC
MC0805F104Z250CT	TR	4000	0.01 µF	+80, -20%	Y5V	0805	25 VDC
MC0805B393K250CT	TC		0.039 µF	± 10%	X7R	0805	25 VDC
MC0805B393K250CT	TR	4000	0.039 µF	± 10%	X7R	0805	25 VDC
MC0805B473K250CT	TC		0.047 µF	± 10%	X7R	0805	25 VDC
MC0805B473K250CT	TR	4000	0.047 µF	± 10%	X7R	0805	25 VDC
MC0805B473M250CT	TC		0.047 µF	± 20%	X7R	0805	25 VDC
MC0805B563K250CT	TC		0.056 µF	± 10%	X7R	0805	25 VDC
MC0805B563K250CT	TR	4000	0.056 µF	± 10%	X7R	0805	25 VDC
MC0805B683K250CT	TC		0.068 µF	± 10%	X7R	0805	25 VDC
MC0805B683K250CT	TR	4000	0.068 µF	± 10%	X7R	0805	25 VDC
MC0805B683M250CT	TC		0.068 µF	± 20%	X7R	0805	25 VDC
MC0805F683Z250CT	TC		0.068 µF	+80, -20%	Y5V	0805	25 VDC
MC0805F683Z250CT	TR	4000	0.068 µF	+80, -20%	Y5V	0805	25 VDC
MC0805B823K250CT	TC		0.082 µF	± 10%	X7R	0805	25 VDC
MC0805B823K250CT	TR	4000	0.082 µF	± 10%	X7R	0805	25 VDC
MC0805B124K250CT	TC		0.12 µF	± 10%	X7R	0805	25 VDC
MC0805B124K250CT	TR	4000	0.12 µF	± 10%	X7R	0805	25 VDC
MC0805B154K250CT	TC		0.15 µF	± 10%	X7R	0805	25 VDC
MC0805B154K250CT	TR	4000	0.15 µF	± 10%	X7R	0805	25 VDC
MC0805B154M250CT	TC		0.15 µF	± 20%	X7R	0805	25 VDC
MC0805F154Z250CT	TC		0.15 µF	+80, -20%	Y5V	0805	25 VDC
MC0805F154Z250CT	TR	4000	0.15 µF	+80, -20%	Y5V	0805	25 VDC

Manufacturers part number	Sell Unit of Measure	Reel Quantity	Capacitance	Capacitance Tolerance	Dielectric Characteristic	Package/Case	Voltage Rating
MC0805B184K250CT	TC		0.18 µF	± 10%	X7R	0805	25 VDC
MC0805B184K250CT	TR	4000	0.18 µF	± 10%	X7R	0805	25 VDC
MC0805B224K250CT	TC		0.22 µF	± 10%	X7R	0805	25 VDC
MC0805B224K250CT	TR	4000	0.22 µF	± 10%	X7R	0805	25 VDC
MC0805B224M250CT	TC		0.22 µF	± 20%	X7R	0805	25 VDC
MC0805F224Z250CT	TC		0.22 µF	+80, -20%	Y5V	0805	25 VDC
MC0805F224Z250CT	TR	4000	0.22 µF	+80, -20%	Y5V	0805	25 VDC
MC0805F334Z250CT	TC		0.33 µF	+80, -20%	Y5V	0805	25 VDC
MC0805F334Z250CT	TR	4000	0.33 µF	+80, -20%	Y5V	0805	25 VDC
MC0805F474Z250CT	TC		0.47 µF	+80, -20%	Y5V	0805	25 VDC
MC0805F474Z250CT	TR	4000	0.47 µF	+80, -20%	Y5V	0805	25 VDC
MC0805F225Z250CT	TR	4000	2.2 µF	+80, -20%	Y5V	0805	25 VDC
MC0805B104K160CT	TC		0.01 µF	± 10%	X7R	0805	16 VDC
MC0805B104K160CT	TR	4000	0.01 µF	± 10%	X7R	0805	16 VDC
MC0805B104M160CT	TC		0.01 µF	± 20%	X7R	0805	16 VDC
MC0805F104Z160CT	TC		0.01 µF	+80, -20%	Y5V	0805	16 VDC
MC0805F104Z160CT	TR	4000	0.01 µF	+80, -20%	Y5V	0805	16 VDC
MC0805B473K160CT	TC		0.047 µF	± 10%	X7R	0805	16 VDC
MC0805B473K160CT	TR	4000	0.047 µF	± 10%	X7R	0805	16 VDC
MC0805B563K160CT	TC		0.056 µF	± 10%	X7R	0805	16 VDC
MC0805B563K160CT	TR	4000	0.056 µF	± 10%	X7R	0805	16 VDC
MC0805B683K160CT	TC		0.068 µF	± 10%	X7R	0805	16 VDC
MC0805B683K160CT	TR	4000	0.068 µF	± 10%	X7R	0805	16 VDC
MC0805B823K160CT	TC		0.082 µF	± 10%	X7R	0805	16 VDC
MC0805B823K160CT	TR	4000	0.082 µF	± 10%	X7R	0805	16 VDC
MC0805B124K160CT	TC		0.12 µF	± 10%	X7R	0805	16 VDC
MC0805B124K160CT	TR	4000	0.12 µF	± 10%	X7R	0805	16 VDC
MC0805B154K160CT	TC		0.15 µF	± 10%	X7R	0805	16 VDC
MC0805B154K160CT	TR	4000	0.15 µF	± 10%	X7R	0805	16 VDC
MC0805B154M160CT	TC		0.15 µF	± 20%	X7R	0805	16 VDC
MC0805F154Z160CT	TC		0.15 µF	+80, -20%	Y5V	0805	16 VDC
MC0805F154Z160CT	TR	4000	0.15 µF	+80, -20%	Y5V	0805	16 VDC
MC0805B184K160CT	TC		0.18 µF	± 10%	X7R	0805	16 VDC
MC0805B184K160CT	TR	4000	0.18 µF	± 10%	X7R	0805	16 VDC
MC0805B224K160CT	TC		0.22 µF	± 10%	X7R	0805	16 VDC
MC0805B224K160CT	TR	4000	0.22 µF	± 10%	X7R	0805	16 VDC
MC0805B224M160CT	TC		0.22 µF	± 20%	X7R	0805	16 VDC
MC0805F224Z160CT	TC		0.22 µF	+80, -20%	Y5V	0805	16 VDC
MC0805F224Z160CT	TR	4000	0.22 µF	+80, -20%	Y5V	0805	16 VDC
MC0805B274K160CT	TC		0.27 µF	± 10%	X7R	0805	16 VDC
MC0805B274K160CT	TR	4000	0.27 µF	± 10%	X7R	0805	16 VDC
MC0805B334K160CT	TC		0.33 µF	± 10%	X7R	0805	16 VDC
MC0805B334K160CT	TR	4000	0.33 µF	± 10%	X7R	0805	16 VDC
MC0805B334M160CT	TC		0.33 µF	± 20%	X7R	0805	16 VDC
MC0805F334Z160CT	TC		0.33 µF	+80, -20%	Y5V	0805	16 VDC

ALL RIGHTS RESERVED. NO PORTION OF THIS PUBLICATION, WHETHER IN WHOLE OR IN PART CAN BE REPRODUCED WITHOUT THE EXPRESS WRITTEN CONSENT OF SPC TECHNOLOGY.

SIZE
A

DWG. NO.

Ta-1100

ELECTRONIC FILE

Ta-1100.DWG

REV
A

Manufacturers part number	Sell Unit of Measure	Reel Quantity	Capacitance	Capacitance Tolerance	Dielectric Characteristic	Package/Case	Voltage Rating
MC0805F334Z160CT	TR	4000	0.33 µF	+80, -20%	Y5V	0805	16 VDC
MC0805B394K160CT	TC		0.39 µF	± 10%	X7R	0805	16 VDC
MC0805B394K160CT	TR	4000	0.39 µF	± 10%	X7R	0805	16 VDC
MC0805B474K160CT	TC		0.47 µF	± 10%	X7R	0805	16 VDC
MC0805B474K160CT	TR	4000	0.47 µF	± 10%	X7R	0805	16 VDC
MC0805B474M160CT	TC		0.47 µF	± 20%	X7R	0805	16 VDC
MC0805F474Z160CT	TC		0.47 µF	+80, -20%	Y5V	0805	16 VDC
MC0805F474Z160CT	TR	4000	0.47 µF	+80, -20%	Y5V	0805	16 VDC
MC0805F684Z160CT	TC		0.68 µF	+80, -20%	Y5V	0805	16 VDC
MC0805F684Z160CT	TR	4000	0.68 µF	+80, -20%	Y5V	0805	16 VDC
MC0805B103K101CT	TC		0.01 µF	± 10%	X7R	0805	100 VDC
MC0805B103K101CT	TR	4000	0.01 µF	± 10%	X7R	0805	100 VDC
MC0805B103M101CT	TC		0.01 µF	± 20%	X7R	0805	100 VDC
MC0805B153K101CT	TC		0.15 µF	± 10%	X7R	0805	100 VDC
MC0805B153K101CT	TR	4000	0.15 µF	± 10%	X7R	0805	100 VDC
MC0805B153M101CT	TC		0.15 µF	± 20%	X7R	0805	100 VDC
MC0805N101J101CT	TC		100 pF	± 5%	NP0	0805	100 VDC
MC0805N101J101CT	TR	4000	100 pF	± 5%	NP0	0805	100 VDC
MC0805N101J201CT	TC		100 pF	± 5%	NP0	0805	100 VDC
MC0805N101J201CT	TR	4000	100 pF	± 5%	NP0	0805	100 VDC
MC0805N101K101CT	TC		100 pF	± 10%	NP0	0805	100 VDC
MC0805N101K201CT	TC		100 pF	± 10%	NP0	0805	100 VDC
MC0805B102K101CT	TC		1000 pF	± 10%	X7R	0805	100 VDC
MC0805B102K101CT	TR	4000	1000 pF	± 10%	X7R	0805	100 VDC
MC0805B102M101CT	TC		1000 pF	± 20%	X7R	0805	100 VDC
MC0805N102J101CT	TC		1000 pF	± 5%	NP0	0805	100 VDC
MC0805N102J101CT	TR	4000	1000 pF	± 5%	NP0	0805	100 VDC
MC0805N102K101CT	TC		1000 pF	± 10%	NP0	0805	100 VDC
MC0805N150J101CT	TC		15 pF	± 5%	NP0	0805	100 VDC
MC0805N150J101CT	TR	4000	15 pF	± 5%	NP0	0805	100 VDC
MC0805N150K101CT	TC		15 pF	± 10%	NP0	0805	100 VDC
MC0805N151J101CT	TC		150 pF	± 5%	NP0	0805	100 VDC
MC0805N151J101CT	TR	4000	150 pF	± 5%	NP0	0805	100 VDC
MC0805N151K101CT	TC		150 pF	± 10%	NP0	0805	100 VDC
MC0805B152K101CT	TC		1500 pF	± 10%	X7R	0805	100 VDC
MC0805B152K101CT	TR	4000	1500 pF	± 10%	X7R	0805	100 VDC
MC0805B152M101CT	TC		1500 pF	± 20%	X7R	0805	100 VDC
MC0805N220J101CT	TC		22 pF	± 5%	NP0	0805	100 VDC
MC0805N220J101CT	TR	4000	22 pF	± 5%	NP0	0805	100 VDC
MC0805N220K101CT	TC		22 pF	± 10%	NP0	0805	100 VDC
MC0805B221K101CT	TC		220 pF	± 10%	X7R	0805	100 VDC
MC0805B221K101CT	TR	4000	220 pF	± 10%	X7R	0805	100 VDC
MC0805B221M101CT	TC		220 pF	± 20%	X7R	0805	100 VDC
MC0805N221J101CT	TC		220 pF	± 5%	NP0	0805	100 VDC
MC0805N221J101CT	TR	4000	220 pF	± 5%	NP0	0805	100 VDC
MC0805N221K101CT	TC		220 pF	± 10%	NP0	0805	100 VDC

Manufacturers part number	Sell Unit of Measure	Reel Quantity	Capacitance	Capacitance Tolerance	Dielectric Characteristic	Package/Case	Voltage Rating
MC0805B222K101CT	TC		2200 pF	± 10%	X7R	0805	100 VDC
MC0805B222K101CT	TR	4000	2200 pF	± 10%	X7R	0805	100 VDC
MC0805B222M101CT	TC		2200 pF	± 20%	X7R	0805	100 VDC
MC0805N330J101CT	TC		33 pF	± 5%	NP0	0805	100 VDC
MC0805N330J101CT	TR	4000	33 pF	± 5%	NP0	0805	100 VDC
MC0805N330K101CT	TC		33 pF	± 10%	NP0	0805	100 VDC
MC0805B331K101CT	TC		330 pF	± 10%	X7R	0805	100 VDC
MC0805B331K101CT	TR	4000	330 pF	± 10%	X7R	0805	100 VDC
MC0805B331M101CT	TC		330 pF	± 20%	X7R	0805	100 VDC
MC0805N331J101CT	TC		330 pF	± 5%	NP0	0805	100 VDC
MC0805N331J101CT	TR	4000	330 pF	± 5%	NP0	0805	100 VDC
MC0805N331K101CT	TC		330 pF	± 10%	NP0	0805	100 VDC
MC0805B332K101CT	TC		3300 pF	± 10%	X7R	0805	100 VDC
MC0805B332K101CT	TR	4000	3300 pF	± 10%	X7R	0805	100 VDC
MC0805B332M101CT	TC		3300 pF	± 20%	X7R	0805	100 VDC
MC0805N470J101CT	TC		47 pF	± 5%	NP0	0805	100 VDC
MC0805N470J101CT	TR	4000	47 pF	± 5%	NP0	0805	100 VDC
MC0805N470K101CT	TC		47 pF	± 10%	NP0	0805	100 VDC
MC0805B471K101CT	TC		470 pF	± 10%	X7R	0805	100 VDC
MC0805B471K101CT	TR	4000	470 pF	± 10%	X7R	0805	100 VDC
MC0805B471M101CT	TC		470 pF	± 20%	X7R	0805	100 VDC
MC0805N471J101CT	TC		470 pF	± 5%	NP0	0805	100 VDC
MC0805N471J101CT	TR	4000	470 pF	± 5%	NP0	0805	100 VDC
MC0805N471K101CT	TC		470 pF	± 10%	NP0	0805	100 VDC
MC0805B472K101CT	TC		4700 pF	± 10%	X7R	0805	100 VDC
MC0805B472K101CT	TR	4000	4700 pF	± 10%	X7R	0805	100 VDC
MC0805B472M101CT	TC		4700 pF	± 20%	X7R	0805	100 VDC
MC0805N680J101CT	TC		68 pF	± 5%	NP0	0805	100 VDC
MC0805N680J101CT	TR	4000	68 pF	± 5%	NP0	0805	100 VDC
MC0805N680K101CT	TC		68 pF	± 10%	NP0	0805	100 VDC
MC0805B681K101CT	TC		680 pF	± 10%	X7R	0805	100 VDC
MC0805B681K101CT	TR	4000	680 pF	± 10%	X7R	0805	100 VDC
MC0805B681M101CT	TC		680 pF	± 20%	X7R	0805	100 VDC
MC0805N681J101CT	TC		680 pF	± 5%	NP0	0805	100 VDC
MC0805N681J101CT	TR	4000	680 pF	± 5%	NP0	0805	100 VDC
MC0805N681K101CT	TC		680 pF	± 10%	NP0	0805	100 VDC
MC0805B682K101CT	TC		6800 pF	± 10%	X7R	0805	100 VDC
MC0805B682K101CT	TR	4000	6800 pF	± 10%	X7R	0805	100 VDC
MC0805B682M101CT	TC		6800 pF	± 20%	X7R	0805	100 VDC

ALL RIGHTS RESERVED. NO PORTION OF THIS PUBLICATION, WHETHER IN WHOLE OR IN PART CAN BE REPRODUCED WITHOUT THE EXPRESS WRITTEN CONSENT OF SPC TECHNOLOGY.

SIZE
A

DWG. NO.

Ta-1100

ELECTRONIC FILE

Ta-1100.DWG

REV

A