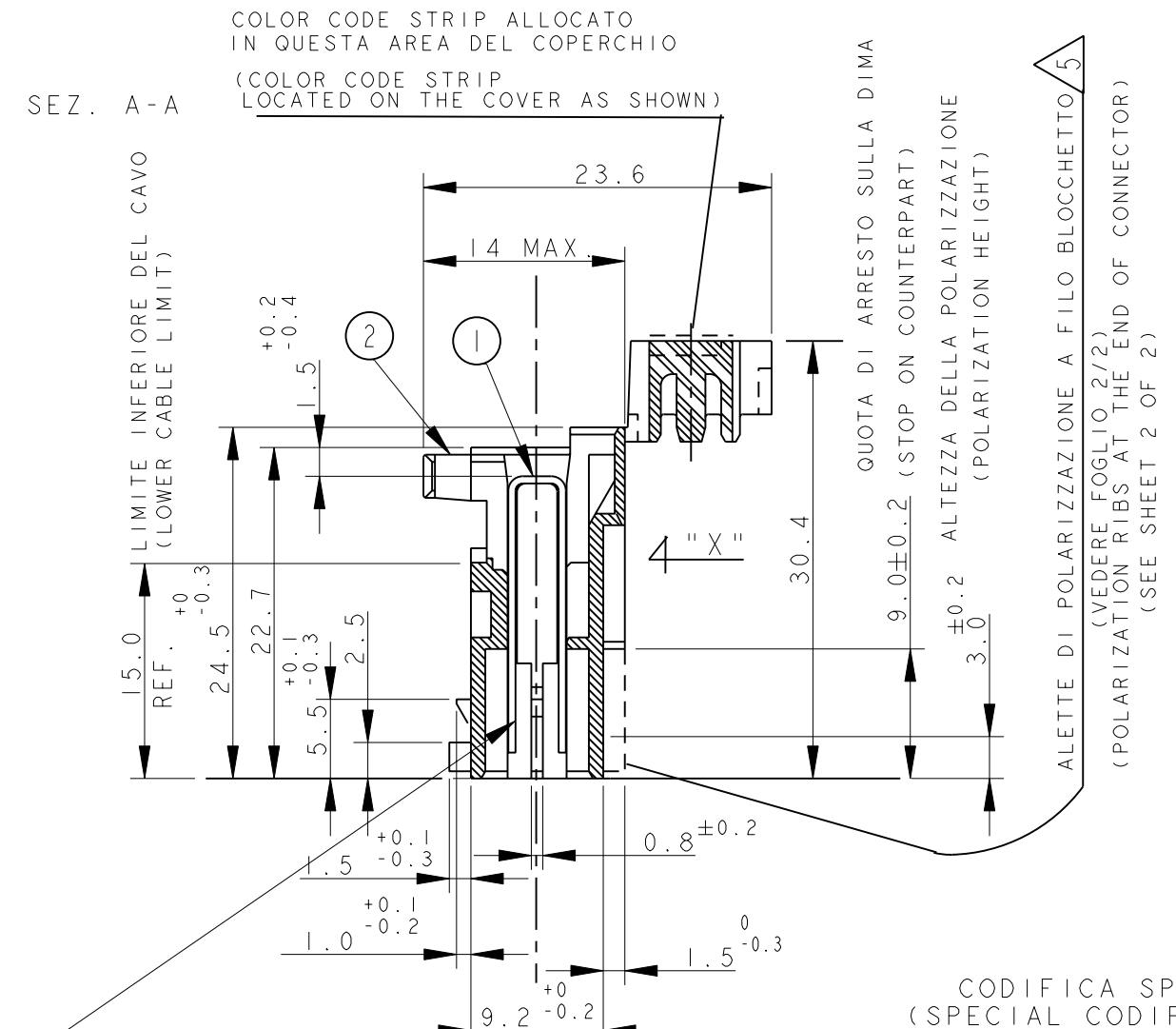
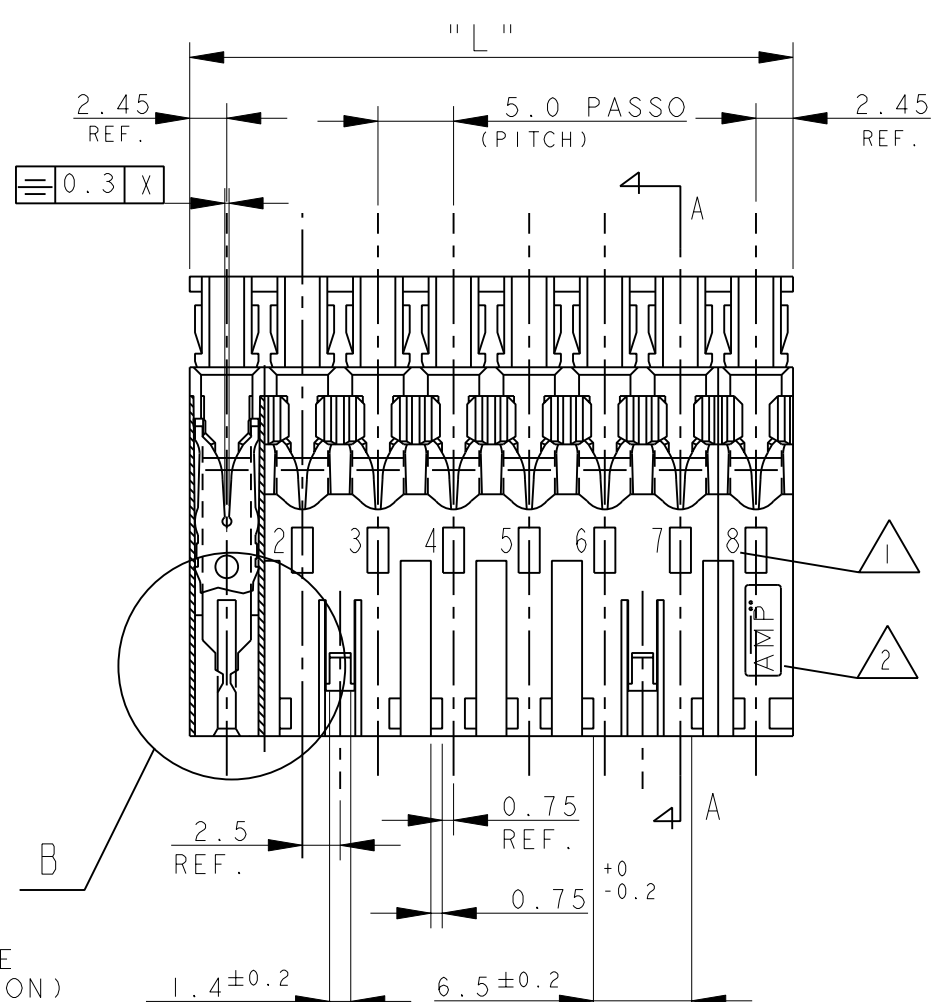


THIS DRAWING IS UNPUBLISHED. RELEASED FOR PUBLICATION
 © COPYRIGHT 2011 ALL RIGHTS RESERVED.

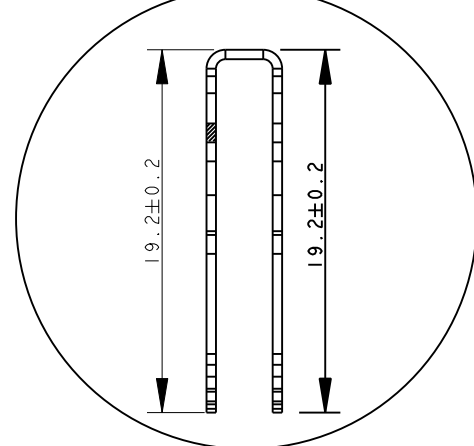
REVISONS		DATE	DWN	APVD
P	LTR	DESCRIPTION		
AA6		REVISED PER ECO-11-005301	28MAR2011	RK HMR
AA7		NEW PN 5-282002-2 ADDED(ECR-11-019533)	27SEP2011	DMK RRP



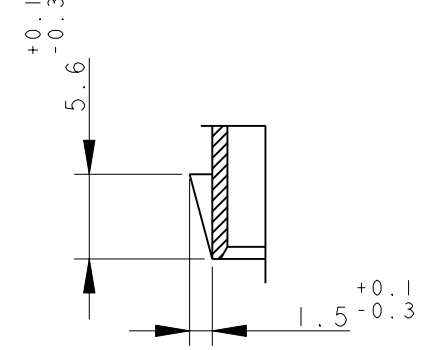
VISTE SOLO PER RIFERIMENTO
 VIEWS ONLY FOR REFERENCE



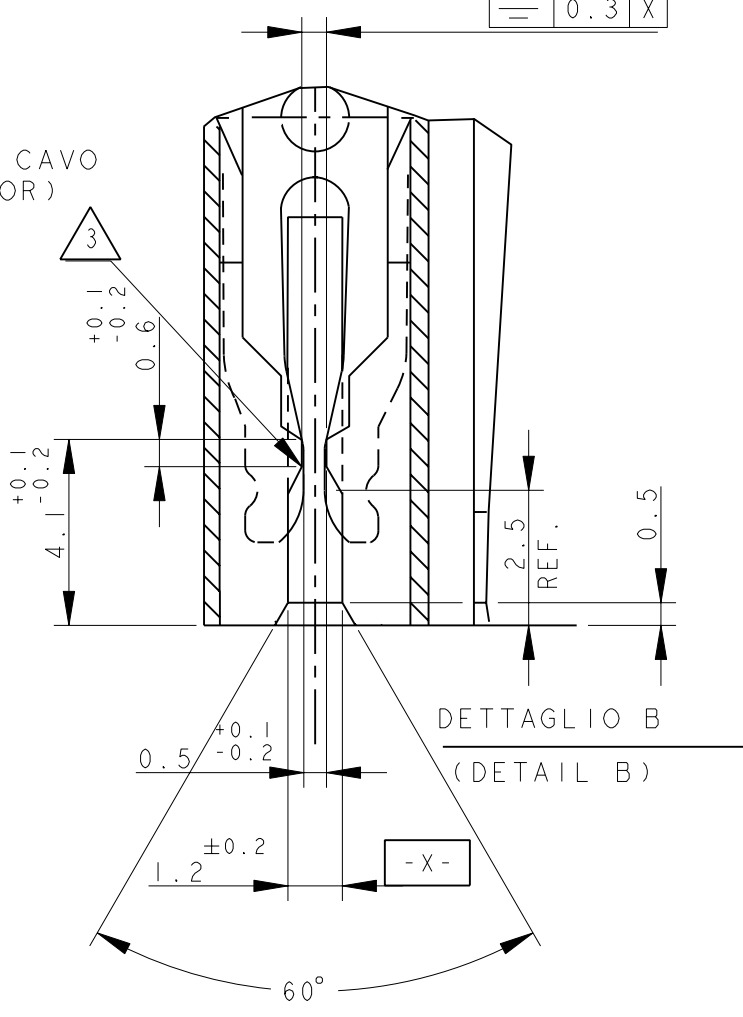
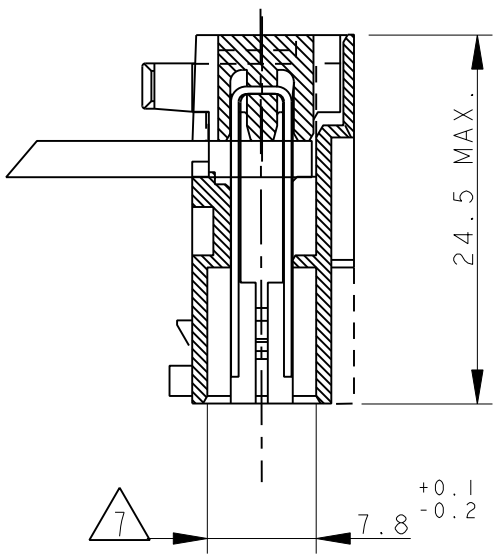
DETTAGLIO DEL CONTATTO, DIMENSIONI RIFERITE AL COMPONENTE INSERITO IN CAVITA' (ENLARGED VIEW OF TAB CONTACT DIM. REFERRED TO CONTACT INSERTED IN THE HOUSING CAVITY)



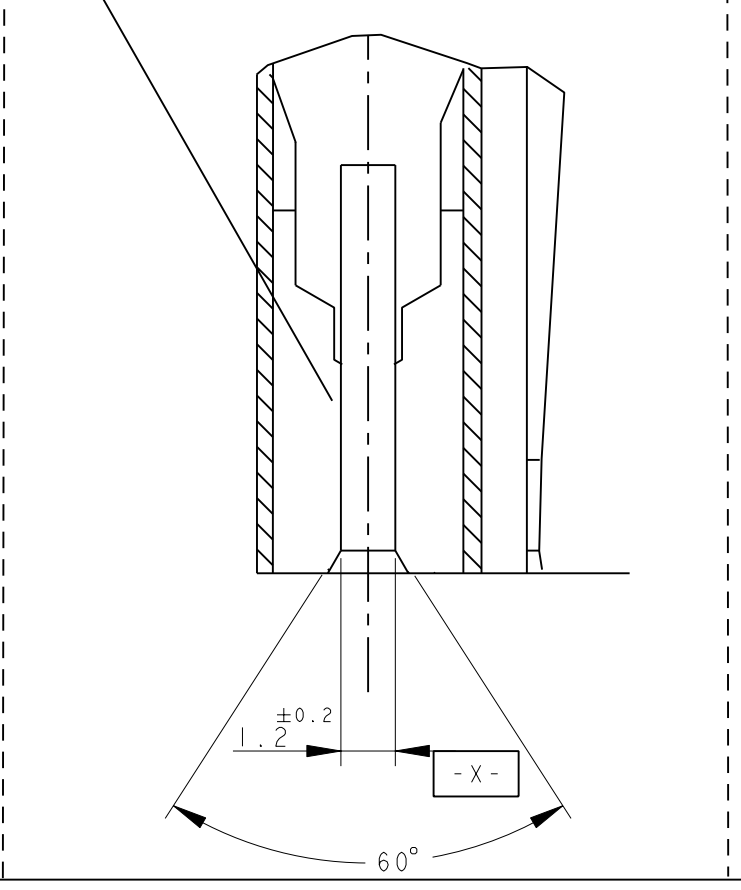
CODIFICA SPECIALE (SPECIAL CODIFICATION)



CONNETTORE COMPLETO DI CAVO (TERMINATED CONNECTOR)



PN X-282002-8
 DETTAGLIO "B" CAVITA' 1 E 2 (DETAIL "B" FOR CAVITY 1 & 2)



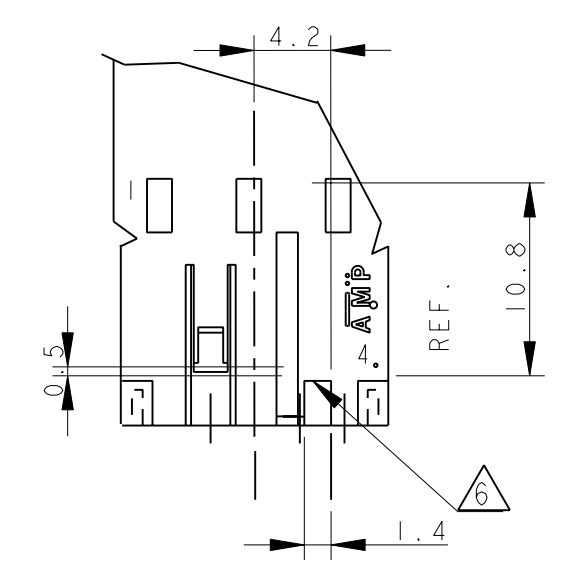
DETAIL PN/s:
 1-282006-3
 2-282006-3
 3-282006-3

POLARIZATION KEYS (VIEW FROM "X")

NOTE/NOTES:

- 1 NUMERI DI IDENTIFICAZIONE CAVITA' (CIRCUIT IDENTIFICATION)
- 2 MARCHIO DI FABBRICAZIONE LIBERA POSIZIONE (AMP LOGO FREE POSITION)
- 3 L'AGGANCIAMENTO PER LINGUETTA E' POSIZIONATO SOLO NELLA CAVITA' N.1 ED E' RICHIESTA SOLO SUI CONNETTORI A 2 E 3 POSIZIONI, FA ECCEZIONE LA VERSIONE SPECIALE PN X-282002-8 PER QUESTO PN LA CAVITA' N.1 E' SENZA AGGANCIAMENTO ED E' UGUALE ALLA N.2 (RETENTION TOOTH IS REQUESTED FOR THE 2 AND 3 POS. ONLY; IT IS LOCATED ON THE CAVITY N.1 ONLY, EXCEPTION MADE FOR PN X-282002-8 FOR THIS PN, CAVITY 1 IS WITHOUT RETENTION TOOTH AND HAS THE SAME DESIGN AS THE CAVITY N.2)
- 4 PN NON ANCORA IN PRODUZIONE (PN NOT YET RELEASED FOR PRODUCTION)
- 5 PER QUESTI P/N LA POLARIZZAZIONE POSTERIORE DEVE INTENDERSI COMPLETA, A FINE BLOCCHETTO. (per la rappresentazione vedere foglio 1/2) (FOR THE INDICATE P/N THE POLARIZATION MUST BE AT THE END OF CONNECTOR (see sheet 2 of 2).
- 6 CODIFICA CON DIFFERENTE DIMENSIONE. (CODIFICATION WITH DIFFERENT DIMENSION).
- 7 DIVENTA 6.5 PER LA CAVITA' N. 1 SOLO SUI CONNETTORI A 2,3,4,VIE. (BECOMES 6.5. FOR THE CAVITY N.1 ON THE 2,3,4, POS. ONLY.)
- 8 INCLUDE LA POLARIZZAZIONE DOVE E' ESISTENTE (INCLUDING POLARIZATION KEY, WHEN EXISTING)
- 9 DETTAGLIO PER VERSIONE SPECIALE X-282002-8, VEDI ANCHE NOTA 3 (DETAIL FOR PN X-282002-8, SPECIAL VERSION, SEE ALSO NOTE 3)
- 10 P/N NON RILASCIATO PER LA PRODUZIONE (P/N NOT YET RELEASED FOR PRODUCTION)
- 11 APPROVAZIONE VDE, FILE NO.3905. (VDE APPROVAL, FILE NO. 3905).
- 12 GEOMETRIA ALTERNATIVA DEL DENTINO DI AGGANCIAMENTO VEDI NOTA 3 PER ALTRI DETTAGLI (ALTERNATIVE SHAPE FOR RETENTION TOOTH,SEE NOTE 3 FOR ADDITIONAL DETAILS)
- 13 STATO DI FORNITURA: CONFEZIONAMENTO IN "VASSOI + SCATOLA" (PACKAGING: "ON TRAY PLUS CARTON BOX")
- 14 CONFEZIONAMENTO IN BOBINA OBSOLETO (PACKAGING: ON REEL OBSOLETE)
- 15 OBSOLETE PARTS: OBSOLETE CIS STREAMLINING PER D.RENAUD/D.SINISI

DETAIL FOR PN 0-282233-2 ONLY



2	BLOCCHETTO (HOUSING)	NATURALE (NATURAL)	PA 6.6 CARICATO VETRO (POLIAMIDE 6.6 GLASSFIBER FILLED)
1	CONTATTO (CONTACT)	STAGNATO (TIN-PLATED)	OTTONE (BRASS)
ITEM	DENOMINAZIONE (DESCRIPTION)	FINITURA / COLORE (FINISH / COLOUR)	MATERIALE (MATERIAL)
			DIAM. ISOLANTE (INS. DIA. RANGE) 3,0 max. RANGO FILO (WIRE RANGE) 0.5-1.5mm2

THIS DRAWING IS A CONTROLLED DOCUMENT.		DWN G. ENDRIZZI 23JUL1995	TE Connectivity MONO-SHAPE MK1 TAB CONNECTORS 2-10 POS.	
DIMENSIONS: mm		CHK G. TURCO 23JUL1995		
TOLERANCES UNLESS OTHERWISE SPECIFIED:		APVD G. TURCO 23JUL1995		
0 PLC ± 0.3 1 PLC ± 2 PLC ± 3 PLC ± 4 PLC ± ANGLES ±		NAME		
MATERIAL SEE TABLE	FINISH SEE TABLE	PRODUCT SPEC 108-200065-1, 108-200065-2	SIZE	RESTRICTED TO
		APPLICATION SPEC 114-20016, 114-20016-1	CAGE CODE	
		WEIGHT	DRAWING NO	
		CUSTOMER DRAWING	A260779C-282002	
		SCALE NO	SHEET 1 OF 3	REV AA7

THIS DRAWING IS UNPUBLISHED. RELEASED FOR PUBLICATION
 © COPYRIGHT 2011 ALL RIGHTS RESERVED.

LOC		DIST		REVISIONS			
P	LTR	DESCRIPTION	DATE	DWN	APVD		
-	-	SEE SHEET 1					

VISTE SOLO PER RIFERIMENTO
 VIEWS ONLY FOR REFERENCE

NUMERO DI VIE	CONFIGURAZIONE (Vista connettore dall'alto)	TE PART NUMBER ASSY CONN.				POSIZIONE POLARIZ. (LATO POSTERIORE)	POSIZIONE AGGANCIO (LATO ANTERIORE)	POSIZIONE CODIFICA SPECIALE (LATO ANTERIORE)	L (+0.2 / -0.3) (mm)	NOTE MARCHIATURA CON BANDA COLORATA	CODICI RAST 5 RICAVABILI
		VERSIONE PEZZI IN VASSOIO	PART REV.	VERSIONE PEZZI SCIOLTI	PART REV.						
NO. OF POS.	CONFIGURATION (View from top side)	TRAY PACKAGING VERSION	PART REV.	LOOSE PIECES PACKAGING VERSION	PART REV.	POLARIZ. POSITION (BACK SIDE)	LOCKING POSITION (FRONT SIDE)	SPECIAL COD. POSITION (FRONT SIDE)	L (+0.2 / -0.3) (mm)	NOTE STRIP COLOUR	RAST 5 OBTAINABLE CODE
2		1-282002-1	V	2-282002-1	V	2S	1-2	-	9.9	NERO BLACK	02-C
2		1-282002-2	V	2-282002-2	V	1S 2D	1-2	-	9.9	GRIGIO GREY	02-B 02-E 02-F
2		1-282002-3	V	2-282002-3	V	2D	1-2	-	9.9	ROSSO RED	02-L
2		1-282002-4	V	2-282002-4	V	1D 2S	1-2	-	9.9	BLU BLUE	02-A
2		1-282002-5	V	2-282002-5	V	1D	1-2	-	9.9	NERO BLACK	02-Q
2		1-282002-6	V	2-282002-6	V	-	1-2	-	9.9	NERO BLACK	-
2		1-282002-7	V	2-282002-7	V	-	1-2	-	9.9	-	-
2		1-282002-8	V	2-282002-8	V	1S 2D	1-2	-	9.9	VERDE GREEN	02-B 02-E 02-F
3		1-284396-1	Z	-	-	2S	2-3	-	14.9	NERO BLACK	-
3		1-282003-1	V	2-282003-1	V	1D	1-2	-	14.9	ARANCIO ORANGE	03-A 03-I
3		1-282003-2	V	2-282003-2	V	2D 3D	2-3	-	14.9	BLU BLUE	03-B
3		1-282003-3	V	2-282003-3	V	1S 3D	1-2	-	14.9	VERDE GREEN	03-F
3		0-282233-2	V	2-282233-2	V	1S	1-2	-	14.9	-	03-D
3		1-282003-4	V	2-282003-4	V	2D 3D	2-3	-	14.9	ROSSO RED	03-B
3		1-282003-5	V	2-282003-5	V	2D 3D	2-3	-	14.9	GRIGIO GREY	03-B
3		1-282003-6	V	2-282003-6	V	-	1-2	-	14.9	VIOLA VIOLET	-
3		1-282003-7	V	-	-	2D 3D	2-3	-	14.9	NERO BLACK	03-B
4		1-282004-1	V	2-282004-1	V	1D	1-2 3-4	2D	19.9	GRIGIO GREY	04-A
4		1-282004-2	V	2-282004-2	V	3D	2-3	-	19.9	NERO BLACK	04-D
4		1-282004-3	V	2-282004-3	V	1D	1-2 3-4	2D	19.9	ROSSO RED	04-A
4		1-282004-4	S	-	-	3D 4D	1-2 3-4	-	19.9	BLU BLUE	-
5		1-282005-1	V	2-282005-1	V	4D	4-5	-	24.9	ROSSO RED	-
5		1-284545-1	Z	-	-	2S	4-5	-	24.9	ROSSO RED	-
5		1-293003-5	Z	-	-	-	4-5	-	24.9	NERO BLACK	-
5		1-284545-2	A	-	-	1S 5D	-	3D	24.9	-	-
5		1-284545-3	A	-	-	1S 5D	1-2 3-4	-	24.9	BLU BLUE	-
2		5-282002-2	I	-	-	1S, 2D	1-2	-	9.9	YELLOW	02-B 02-E 02-F

OBSOLETE

OBSOLETE

OBSOLETE

OBSOLETE

OBSOLETE

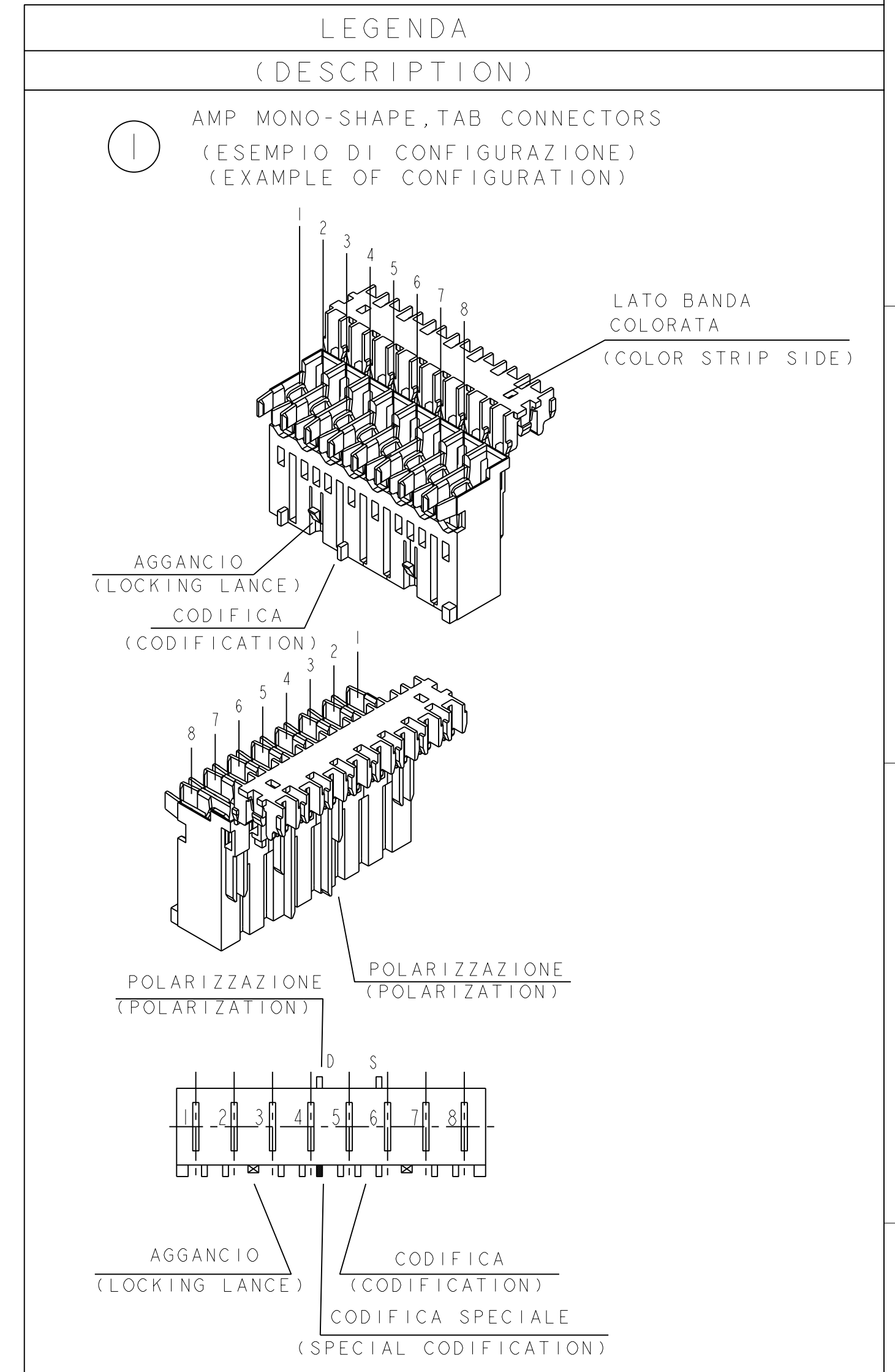
OBSOLETE

OBSOLETE

OBSOLETE

OBSOLETE

OBSOLETE



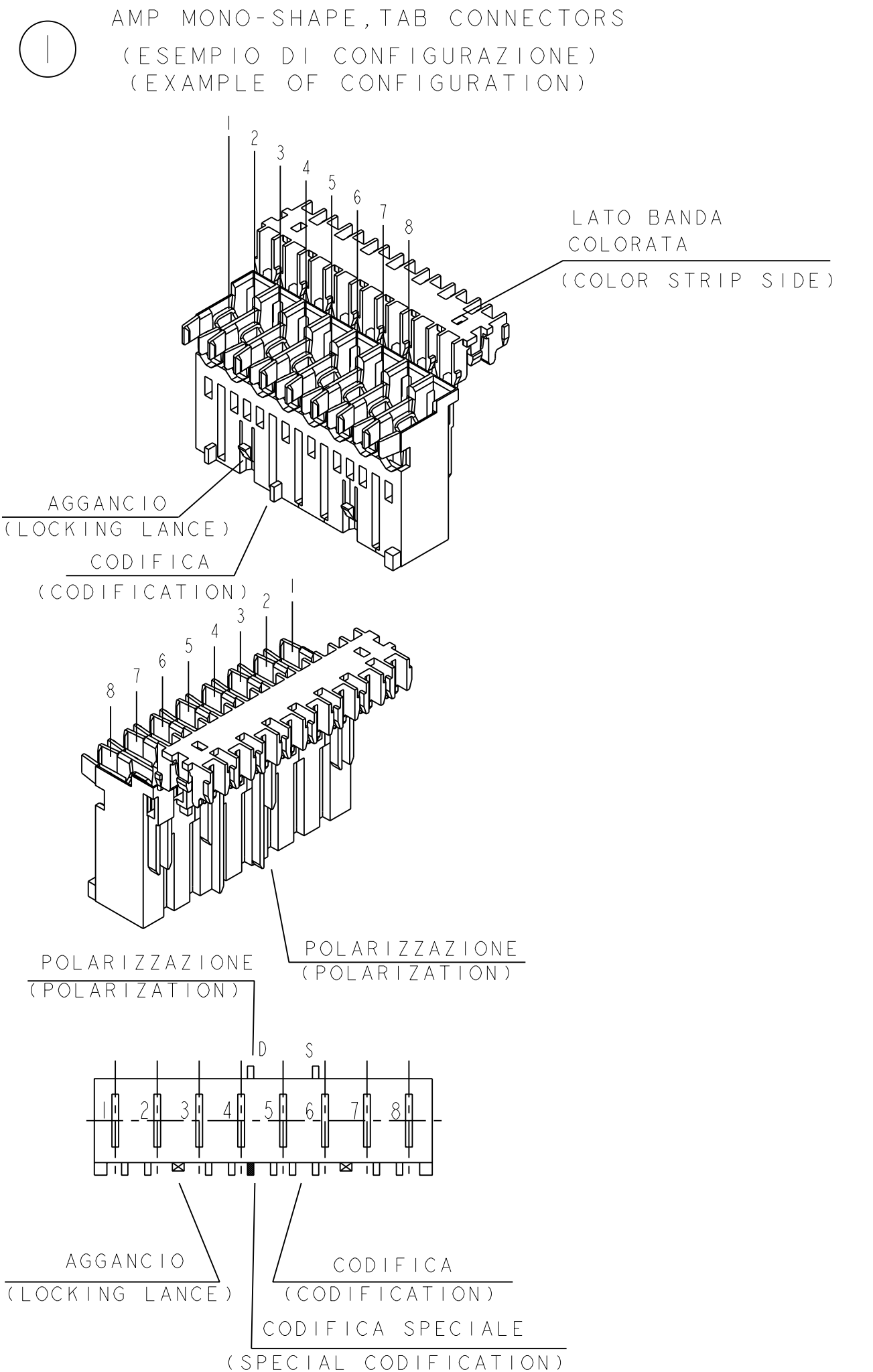
THIS DRAWING IS A CONTROLLED DOCUMENT.		DWN G. ENDRIZZI 23JUL1995		TE Connectivity	
DIMENSIONS: mm		CHK G. TURCO 23JUL1995		NAME MONO-SHAPE MK1 TAB CONNECTORS 2-10 POS.	
TOLERANCES UNLESS OTHERWISE SPECIFIED:		APVD G. TURCO 23JUL1995	DRAWING NO. A260779C-282002		
0 PLC ±		PRODUCT SPEC 108-200065-1, 108-200065-2	RESTRICTED TO		
1 PLC ±		APPLICATION SPEC 114-20016, 114-20016-1	SCALE NO		
2 PLC ±		WEIGHT -	SHEET 2 OF 3		
3 PLC ±			REV AA7		
4 PLC ±					
ANGLES					
FINISH					
MATERIAL SEE TABLE		CUSTOMER DRAWING			

THIS DRAWING IS UNPUBLISHED. RELEASED FOR PUBLICATION
 © COPYRIGHT 2011 ALL RIGHTS RESERVED.

LOC		DIST		REVISIONS			
P	LTR	DESCRIPTION		DATE	DWN	APVD	
-	-	SEE SHEET 1					

VISTE SOLO PER RIFERIMENTO
 VIEWS ONLY FOR REFERENCE

LEGENDA
 (DESCRIPTION)



TE PART NUMBER ASSY CONN.											
NUMERO DI VIE	CONFIGURAZIONE (Vista connettore dall'alto)	VERSIONE PEZZI IN VASSOIO		VERSIONE PEZZI SCIOLTI		POSIZIONE POLARIZ. (LATO POSTERIORE)	POSIZIONE AGGANCIO (LATO ANTERIORE)	POSIZIONE CODIFICA SPECIALE (LATO ANTERIORE)	Δ L (+0.2 / -0.3) (mm)	NOTE MARCHIATURA CON BANDA COLORATA	CODICI RAST 5 RICAVABILI
NO. OF POS.	CONFIGURATION (View from top side)	TRAY PACKAGING VERSION	PART REV.	LOOSE PIECES PACKAGING VERSION	PART REV.	POLARIZ. POSITION (BACK SIDE)	LOCKING POSITION (FRONT SIDE)	SPECIAL COD. POSITION (FRONT SIDE)	L (+0.2 / -0.3) (mm)	NOTE STRIP COLOUR	RAST 5 OBTAINABLE CODE
6		1-282006-2	V	2-282006-2	V	2S 5D	2-3	-	29.9	VIOLA VIOLET	-
6		1-282006-3	V	2-282006-3	V	2S 3D 4D 5D	4-5	-	29.9	-	-
6		2-282006-4	V	-	-	3D 5D	-	5S	29.9	NERO BLACK	-
6		1-284745-1	Z	-	-	6D Δ	4-5	-	29.9	ROSSO RED	-
7		1-282007-1	V	2-282007-1	V	1D 5D Δ	1-2 5-6	3S	34.9	-	-
7		1-284397-1	Z	-	-	2D	1-2 5-6	-	34.9	NERO BLACK	-
7		1-293004-7	Z	-	-	-	1-2 5-6	-	34.9	ROSSO RED	-
7		2-282007-2	V	-	-	4D 6D	-	6S	34.9	VIOLA VIOLET	-
8		0-284085-1	V	2-284085-1	V	2D 6S 4D 6D	-	4S	39.9	-	-
8		0-284085-2	V	2-284085-2	V	-	2-3	-	39.9	VIOLA VIOLET	-
10		1-282010-1	V	2-282010-1	V	6D 8S	4-5 8-9	6S	49.9	-	-
10		0-284004-1	V	-	-	6D 8S	4-5 8-9	6S	49.9	-	-

OBSOLETE Δ 5
 OBSOLETE Δ 5
 OBSOLETE Δ 5
 OBSOLETE Δ 5
 OBSOLETE Δ 5

6		1-284745-2	I	-	-	6D Δ	-	4D	29.9	RED	-
---	--	------------	---	---	---	-------------	---	----	------	-----	---

THIS DRAWING IS A CONTROLLED DOCUMENT.

DIMENSIONS: mm	TOLERANCES UNLESS OTHERWISE SPECIFIED:	DWN G. ENDRIZZI 23JUL1995	TE Connectivity MONO-SHAPE MK I TAB CONNECTORS 2-10 POS.
	0 PLC ± 1 PLC ± 2 PLC ± 3 PLC ± 4 PLC ± ANGLES ±	CHK G. TURCO 23JUL1995	
MATERIAL	FINISH	APVD G. TURCO 23JUL1995	
SEE TABLE	SEE TABLE	PRODUCT SPEC 108-200065-1, 108-200065-2	
CUSTOMER DRAWING		APPLIC. SPEC 114-20016, 114-20016-1	RESTRICTED TO
SCALE NO		WEIGHT -	SHEET 3 OF 3
CAGE CODE A20779		DRAWING NO C-282002	REV AA7