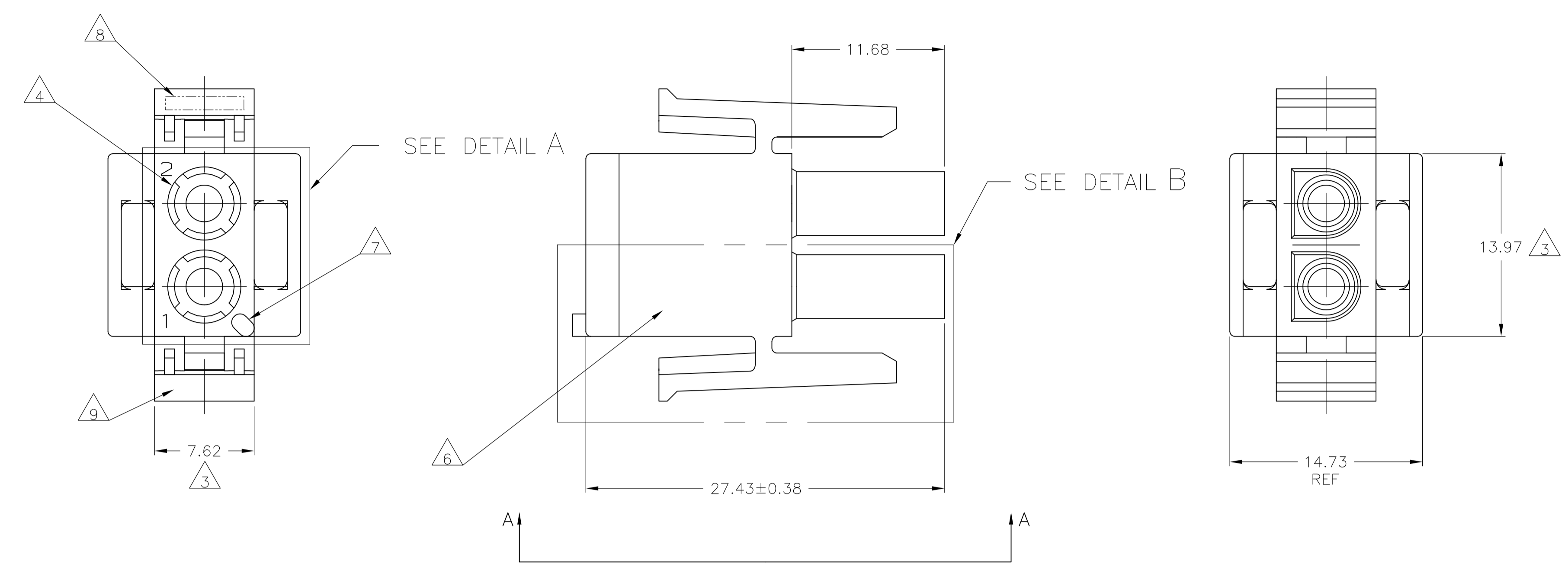
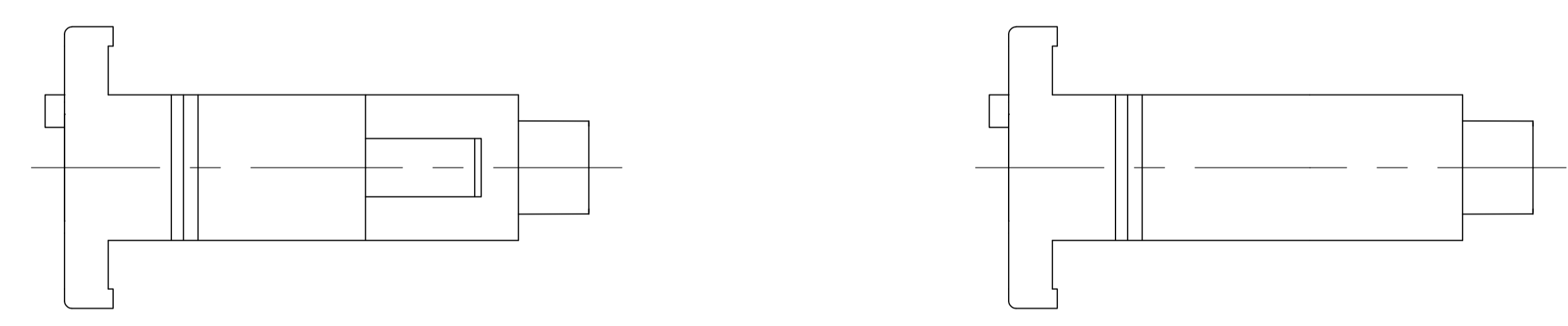


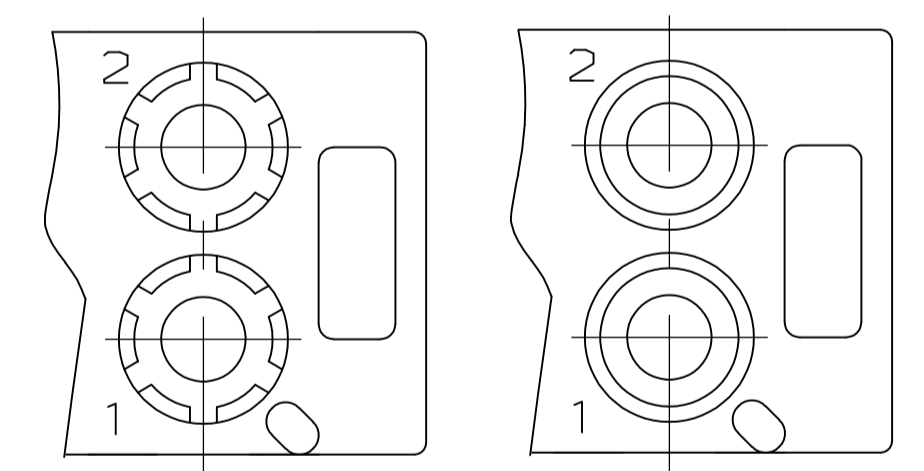
| LOC | | DIST | | REVISIONS | | | |
|-----|-----|---------------------------|---------|-----------|------|--|--|
| P | LTR | DESCRIPTION | DATE | DWN | APVD | | |
| CM | 0 | | | | | | |
| AB3 | | REVISED PER ECO-11-004587 | 11MAR11 | RK | HMR | | |



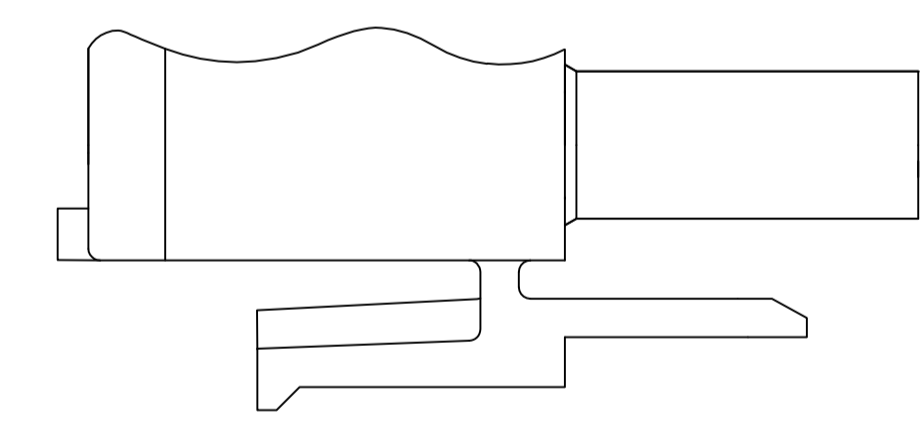
- MATES WITH APPROPRIATE UNIVERSAL MATE-N-LOK™ CAP OR HEADER.
- SMALL NICKS ARE PERMITTED ON THE CIRCUIT TOWERS WHICH COULD INCREASE THE INITIAL HOUSING MATING FORCE BY UP TO 4.4 NEWTONS [1.0] LBS. NO INDIVIDUAL NICKED TOWER SHALL INCREASE THIS FORCE BY OVER 2.2 NEWTONS [.5] LBS.
- DIMENSION INDICATED IS AS MOLDED. ADDITIONAL GROWTH DUE TO SUBSEQUENT MOISTURE ABSORPTION MAY OCCUR.
- FOUR RIBS EQUALLY SPACED, NO SPECIFIC ORIENTATION, NO RIBS OR SIX RIBS EQUALLY SPACED, NO SPECIFIC ORIENTATION, OPTIONAL.
- NOT MANUFACTURED IN U.S.
- UNDERWRITERS RECOGNIZED COMPONENT LOGO AND CSA CERTIFICATION LOGO TO BE LOCATED ONCE ON ANY SIDE OF HOUSING.
- POSITION #1 LOCATOR FEATURE MAY BE ROUND OR OBLONG (AS DEPICTED).
- TRADEMARK LOCATION (AMP OR TE CONNECTIVITY).
- MANUFACTURING LOCATION ID (OPTIONAL).



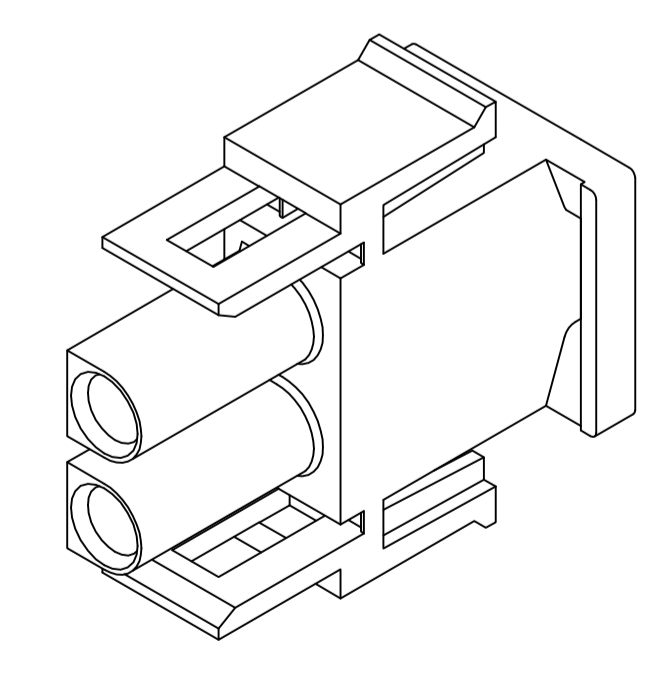
VIEW A-A
350777-4 ONLY



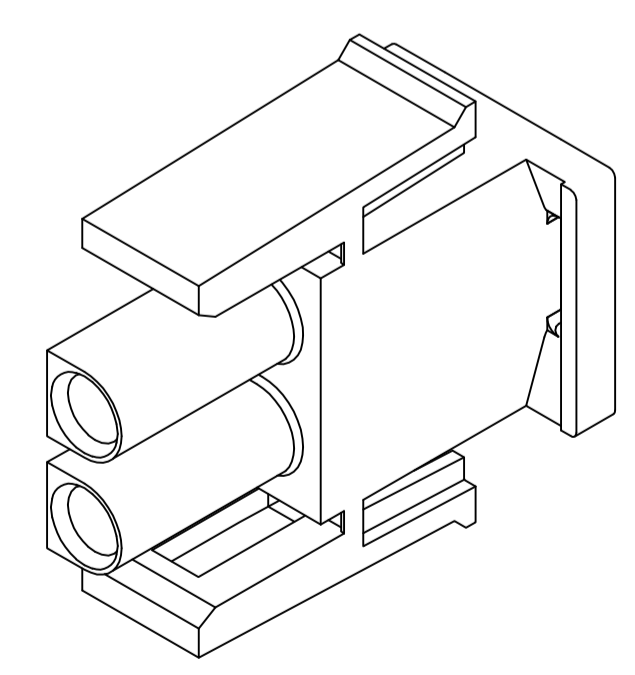
DETAIL A
OPTIONAL CONSTRUCTION



DETAIL B
350777-4 ONLY



350777-4 3-DIMENSIONAL MODEL
NTS

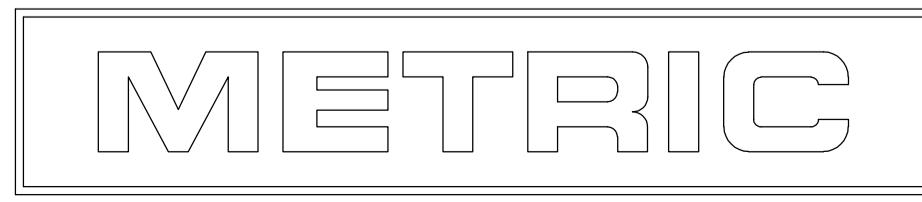


3-DIMENSIONAL MODEL
NTS

| MM | IN |
|-------|-------|
| 27.43 | 1.080 |
| 14.73 | .580 |
| 13.97 | .550 |
| 11.68 | .460 |
| 7.62 | .300 |
| 0.38 | .015 |
| 0.13 | .005 |
| MM | IN |

CONVERSION TABLE

| | |
|---------|-------------|
| BLACK | 1-350777-9 |
| GRAY | 1-350777-8 |
| BLUE | 1-350777-6 |
| GREEN | 1-350777-5 |
| YELLOW | 1-350777-4 |
| ORANGE | 1-350777-3 |
| RED | 1-350777-2 |
| BROWN | 1-350777-1 |
| | 350777-4 |
| NATURAL | 350777-1 |
| COLOR | PART NUMBER |



THIS DRAWING IS A CONTROLLED DOCUMENT.

| | | | | | |
|------------------|---|----------------------|---------------------|-----------|---|
| DIMENSIONS: | TOLERANCES UNLESS OTHERWISE SPECIFIED: | DIN R VESTAL 24JAN95 | APVD D SELF 24JAN95 | NAME | PLUG, 2 CIRCUIT, UNIVERSAL MATE-N-LOK(TM) |
| mm | 0. PLC ± - 1. PLC ± - 2. PLC ± 0.13 3. PLC ± - 4. PLC ± - ANGLES ± 0°30' | CHK R SWING 24JAN95 | PRODUCT SPEC | SIZE | A1 |
| MATERIAL | FINISH | WEIGHT | SCALE | CAGE CODE | DRAWING NO |
| NYLON, | - | - | 4:1 | 00779 | 350777 |
| CUSTOMER DRAWING | | | SHEET | 1 | OF 1 |
| | | | REV | AB3 | |

4805 (3/11)