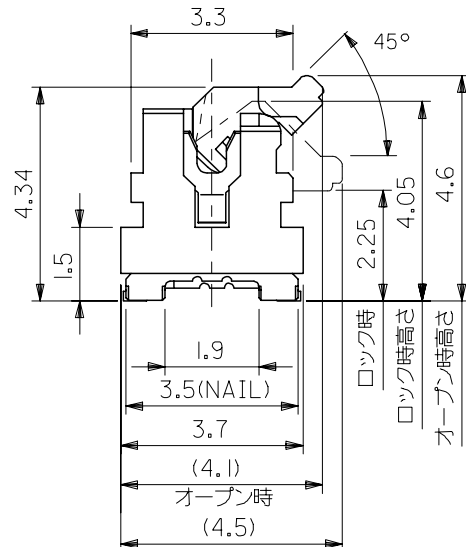
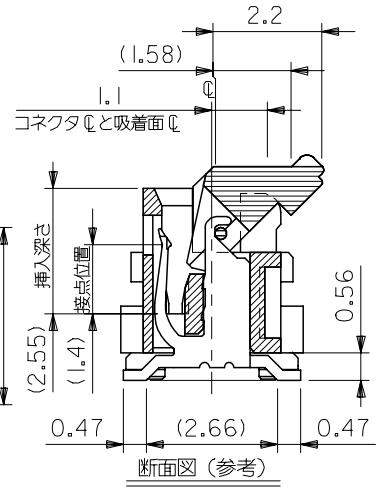
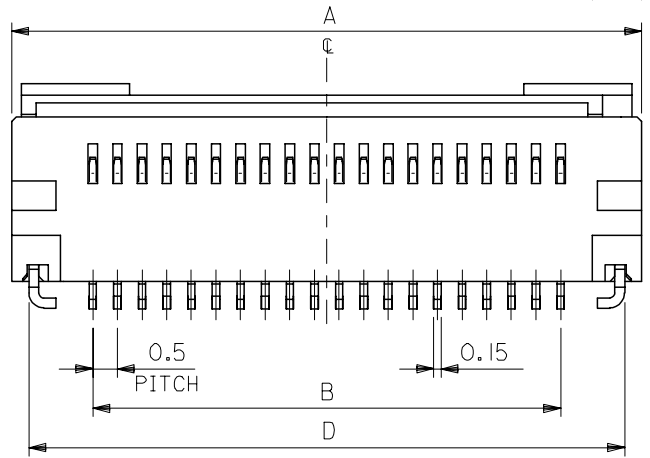
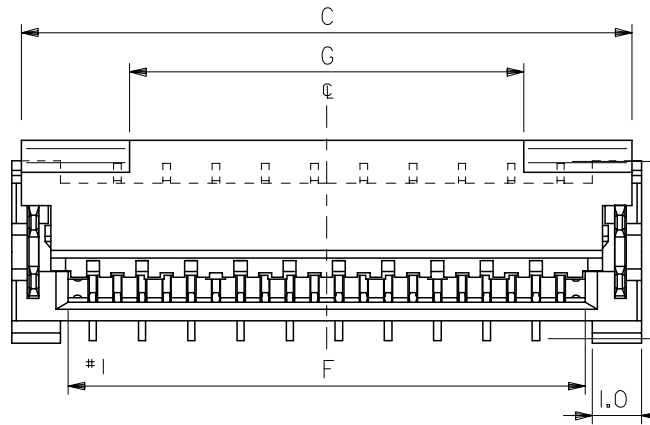


10 9 8 7 6 5 4 3 2 1



注記
NOTES:

1. 材質
MATERIAL
ハウジング: LCP (液晶ポリマー)、ガラス充填、白色、UL94V-0
HOUSING: LCP (LIQUID CRYSTAL POLYMER), GLASS FILLED, WHITE, UL94V-0
アクチュエータ: PPS、ガラス充填、茶色、UL94V-0
ACTUATOR: PPS (POLYPHENYLENE SULFIDE), GLASS FILLED, BROWN, UL94V-0
ターミナル: 銅合金 (t=0.15)
TERMINAL: COPPER ALLOY (t=0.15)
金具: 銅合金 (t=0.2)
NAIL: COPPER ALLOY (t=0.2)
2. メッキ仕様
PLATING
ターミナル
TERMINAL
接点部: 金メッキ 0.1μm 以上
CONTACT AREA: Au PLATING 0.1 MICROMETER MINIMUM.
テール部: 錫メッキ 1.0μm 以上
TAIL AREA: TIN PLATING 1.0 MICROMETER MINIMUM.
下地メッキ: ニッケルメッキ 1.0μm 以上
UNDER PLATING: NICKEL PLATING 1.0 MICROMETER MINIMUM.
金具
NAIL
錫メッキ 1.0μm 以上
TIN PLATING 1.0 MICROMETER MINIMUM.
下地メッキ: ニッケルメッキ 1.0μm 以上
UNDER PLATING: NICKEL PLATING 1.0 MICROMETER MINIMUM.
3. テールと金具を併せた平坦度は、0.1ミリアール以下。
TAILS AND NAILS COPLANARITY TO BE 0.1 MICROMETER MAXIMUM.

8	30.5	30.7	32.1	32.4	29.5	32.8	51374-6028	60
8	25.5	25.7	27.1	27.4	24.5	27.8	51374-5028	50
8	23.0	23.2	24.6	24.9	22.0	25.3	51374-4528	45
8	20.5	20.7	22.1	22.4	19.5	22.8	51374-4028	40
8	15.5	15.7	17.1	17.4	14.5	17.8	51374-3028	30
8	12.5	12.7	14.1	14.4	11.5	14.8	51374-2428	24
4.5	5.5	5.7	7.1	7.4	4.5	7.8	51374-1028	10
G	F	E	D	C	B	A	MATERIAL NO.	CIRCUITS

REVISED EC NO: J2006-2397 DRW: NAIDA 2006/01/27 CHK: KTOYODA 2006/01/31 APP: NUKITA 2006/02/02	GENERAL TOLERANCES (UNLESS SPECIFIED)		DIMENSION STYLE MM ONLY		SCALE 10:1	DESIGN UNITS METRIC	THIRD ANGLE PROJECTION	
	10 UNDER	±0.2	DRAWN BY M. NABEI	DATE '05/07/15	TITLE 0.5 FPC CONN. HS'G ASS'Y EASY ON / STRAIGHT -LEAD FREE- MOLEX INCORPORATED			
	10 OVER 30 UNDER	±0.25	CHECKED BY K. TOYODA	DATE '05/07/15				
	30 OVER	±0.3	APPROVED BY N. UKITA	DATE '05/07/15				
	ANGULAR ±3 °	DRAFT WHERE APPLICABLE MUST REMAIN WITHIN DIMENSIONS		MATERIAL NO. SEE CHART	DOCUMENT NO. SD-51374-026	SHEET NO. 1 OF 2		

10 9 8 7 6 5 4 3 2 1

F

E

D

C

B

A

F

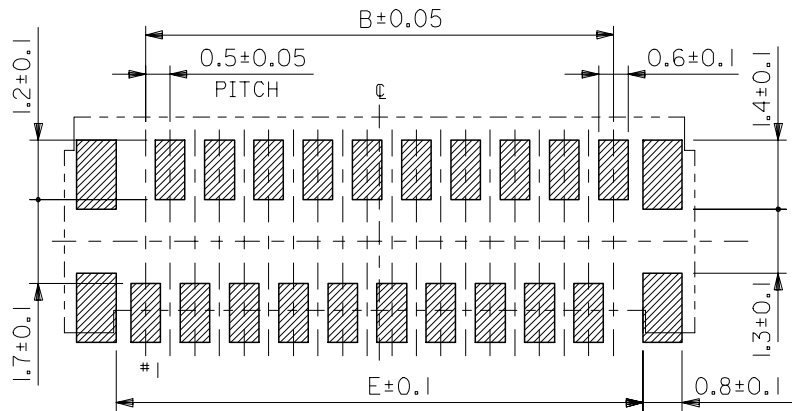
E

D

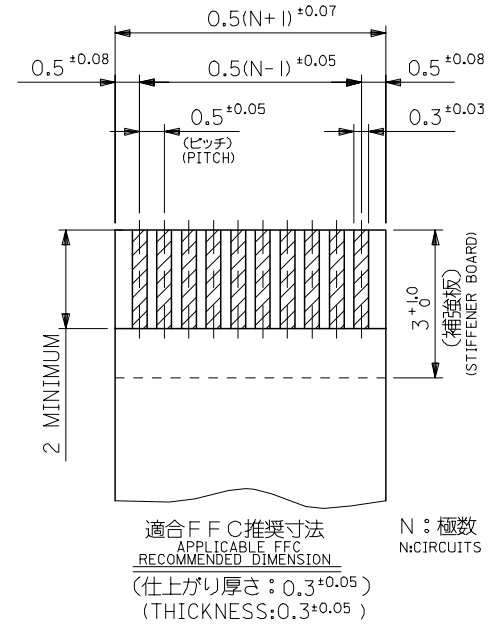
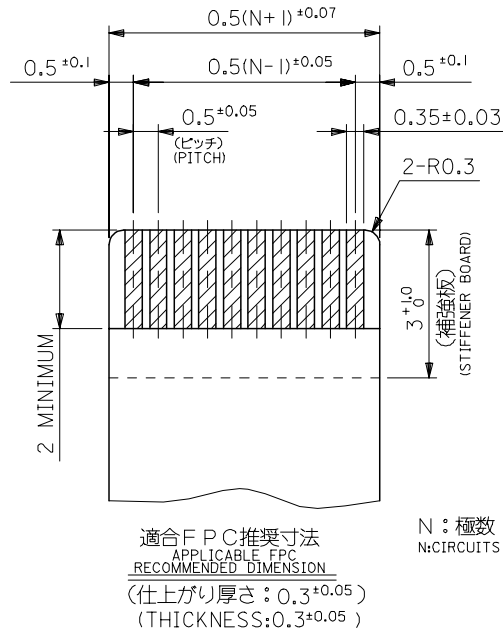
C

B

A



参考基板レイアウト (マウント面)
P.C. BOARD PATTERN DIMENSION (REF.)
(MOUNT AREA)



FPC/FFCについて:
打抜き方向は導体側から補強板側を推奨いたします。
導体部については軟銅箔35マイクロメートルまたは50マイクロメートル

ABOUT FPC/FFC
RECOMMENDED PUNCHER DIRECTION : FROM CONDUCTOR SIDE TO STIFFENER FILM SIDE.
RECOMMENDED CONDUCTOR SPEC :
THICKNESS OF SOFT COPPER FOIL : 35 MICROMETER OR 50 MICROMETER

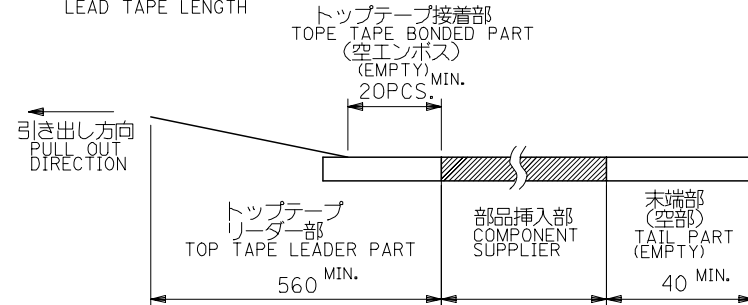
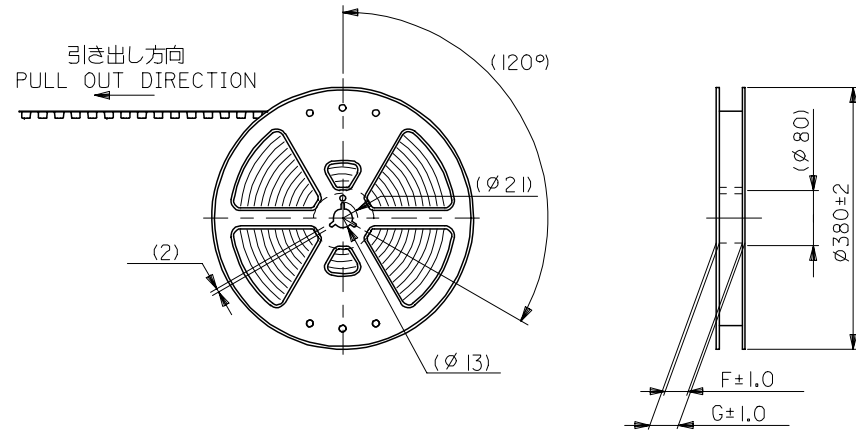
FPCについて:
補強フィルム材質はポリイミドを推奨します。
接着剤は熱硬化接着剤を推奨します。

ABOUT FPC
RECOMMENDED MATERIAL :
STIFFENER FILM : POLYIMIDE
BONDING AGENT : THERMOSETTING BONDING AGENT

REVISED EC NO: J2006-2397 DRW:NAIDA 2006/01/27 CHK:KTOYODA 2006/01/31 APP:NUKITA 2006/02/02	GENERAL TOLERANCES (UNLESS SPECIFIED)		DIMENSION STYLE MM ONLY		SCALE 10:1	DESIGN UNITS METRIC	THIRD ANGLE PROJECTION	
	10 UNDER	±0.2	DRAWN BY M. NABEI	DATE '05/07/15	TITLE 0.5 FPC CONN. HS'G ASS'Y EASY ON / STRAIGHT -LEAD FREE-			
	10 OVER 30 UNDER	±0.25	CHECKED BY K. TOYODA	DATE '05/07/15				
	30 OVER	±0.3	APPROVED BY N. UKITA	DATE '05/07/15	MOLEX INCORPORATED			
ANGULAR	±3 °	MATERIAL NO.	DOCUMENT NO. SD-51374-026	SHEET NO. 2 OF 2				
DRAFT WHERE APPLICABLE MUST REMAIN WITHIN DIMENSIONS		SEE SHEET 1 OF 2		THIS DRAWING CONTAINS INFORMATION THAT IS PROPRIETARY TO MOLEX INCORPORATED AND SHOULD NOT BE USED WITHOUT WRITTEN PERMISSION				

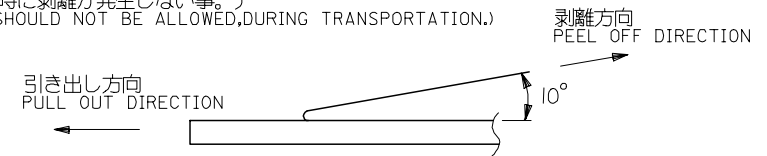
注)
NOTES

1. 製品番号 51374-**28 詳細寸法については、製品単体図面を参照下さい。
IN THE PACKAGE PART NUMBER 51374-**28 DETAILED DIMENSIONS, SEE SALES DRAWING FOR CONNECTOR.
2. 梱包数量：2000個/リール
NUMBER OF CONNECTORS:2000 PCS/REEL.
3. リードテープ長さ
LEAD TAPE LENGTH



4. トップテープの剥離強度：(剥離方向は下図参照)
PEELING OFF FORCE OF TOP TAPE (PELLING DIRECTION AS SHOWN IN FOLLOWING FIGURE.)
0. 1~1. 3N{ 10~130gf }

尚、本規格値は、出荷時に適用。
THIS REQUIREMENT SHOULD BE APPLIED AT SHIPMENT.
(但し、輸送時に剥離が発生しない事。)
(PEEL OFF SHOULD NOT BE ALLOWED, DURING TRANSPORTATION.)



5. 材料
MATERIAL
キャリアテープ：ポリプロピレン (PP)
CARRIER TAPE: POLYPROPYLENE (PP)
トップテープ：PET, PE, PEF
TOP TAPE: PET, PE, PEF
リール：ポリスチレン
REEL : POLYSTYRENE

MODEL NO. 51374-**72

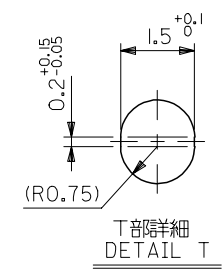
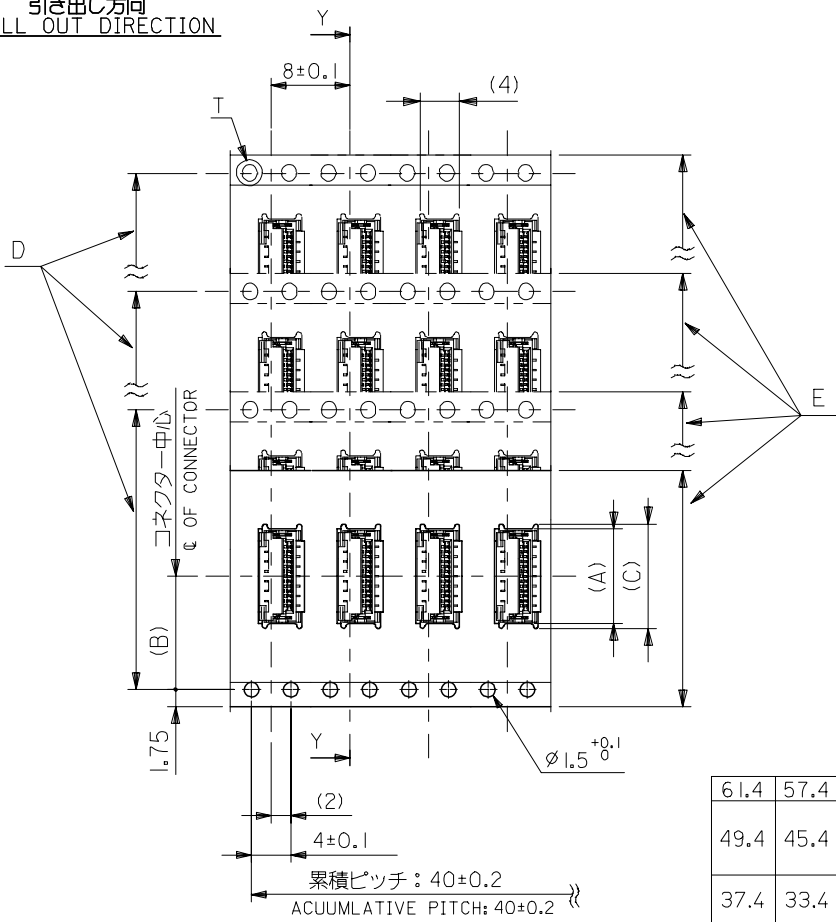
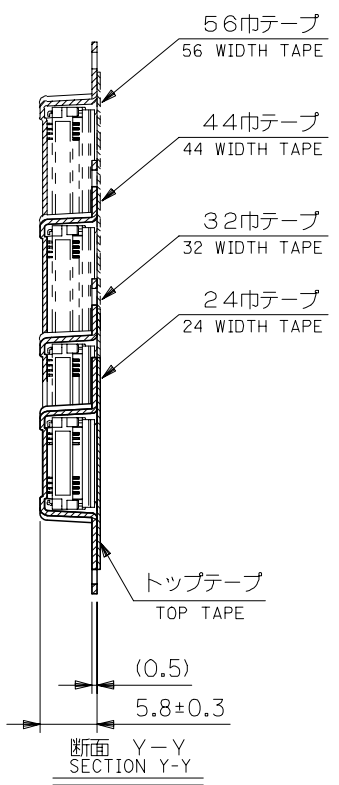
REVISED EC NO: J2006-2397 DRW: NAITA 2006/01/27 CHK: KTOYODA 2006/01/31 APP: NUKITA 2006/02/02	GENERAL TOLERANCES (UNLESS SPECIFIED)		DIMENSION STYLE MM ONLY		SCALE ---	DESIGN UNITS METRIC	THIRD ANGLE PROJECTION	
	10 UNDER	± 0.2	DRAWN BY M. NABEI	DATE '05/07/15	TITLE 51374-**28 TAPING PACKAGE -LEAD FREE- MOLEX INCORPORATED			
	10 OVER 30 UNDER	± 0.25	CHECKED BY K. TOYODA	DATE '05/07/15				
	30 OVER	± 0.3	APPROVED BY N. UKITA	DATE '05/07/15				
	ANGULAR ± 3 °		MATERIAL NO.		DOCUMENT NO.		SHEET NO.	
DRAFT WHERE APPLICABLE MUST REMAIN WITHIN DIMENSIONS		SEE SHEET 2 OF 2		SD-51374-027		1 OF 2		

10 9 8 7 6 5 4 3 2 1

F
E
D
C
B
A

F
E
D
C
B
A

引き出し方向
PULL OUT DIRECTION



61.4	57.4	56±0.3	52.4	34.1	26.2	33.1	51374-6072	60	
49.4	45.4	44±0.3	40.4	29.1	20.2	28.1	51374-5072	50	
				26.6		25.6	51374-4572	45	
37.4	33.4	32±0.3	28.4	24.1	14.2	23.1	51374-4072	40	
				19.1		18.1	51374-3072	30	
29.4	25.4	24±0.3	---	16.1	11.5	15.1	51374-2472	24	
				9.1		8.1	51374-1072	10	
G	F	E キャリアテープ幅 CARRIER TAPE WIDTH		D	(C)	(B)	(A)	製品番号 MATERIAL NO.	極数 CIRCUITS

REVISED EC NO: J2006-2397 DRW:NAIDA 2006/01/27 CHKD:TOYODA 2006/01/31 APPR:NUKITA 2006/02/02	GENERAL TOLERANCES (UNLESS SPECIFIED)		DIMENSION STYLE MM ONLY		SCALE ---	DESIGN UNITS METRIC	THIRD ANGLE PROJECTION	
	10 UNDER	±0.2	DRAWN BY M.NABEI	DATE '05/07/15	TITLE 51374-**28 TAPING PACKAGE -LEAD FREE-			
	10 OVER 30 UNDER	±0.25	CHECKED BY K.TOYODA	DATE '05/07/15	MOLEX INCORPORATED			
	30 OVER	±0.3	APPROVED BY N.UKITA	DATE '05/07/15	DOCUMENT NO. SD-51374-027			
	ANGULAR	±1 °	MATERIAL NO. SEE CHART		SHEET NO. 2 OF 2			
DRAFT WHERE APPLICABLE MUST REMAIN WITHIN DIMENSIONS		SIZE A3		THIS DRAWING CONTAINS INFORMATION THAT IS PROPRIETARY TO MOLEX INCORPORATED AND SHOULD NOT BE USED WITHOUT WRITTEN PERMISSION				