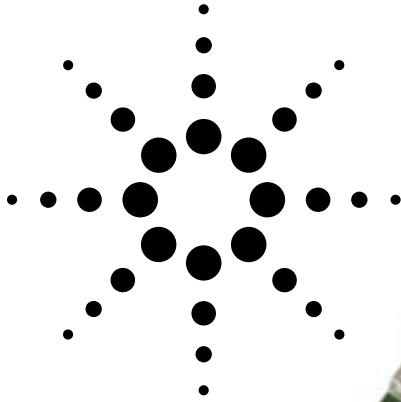


Agilent HSMx-C265 Surface Mount Chip LEDs

Data Sheet



Description

The HSMx-C265 is a reverse mountable chip-type LED for lighting the non-component side of a PCB board. In this reverse mounting configuration, this LED is designed to emit light through a small cut-out hole in the PC board.

The HSMx-C265 is available in four colors. The small size, narrow footprint, and low profile make this series of LEDs excellent for backlighting, status indication, and front panel illumination application.

Features

- Reverse mountable
- Undiffused optics
- Small 3.4 x 1.25 mm footprint
- Operating temperature range of -30°C to $+85^{\circ}\text{C}$
- Compatible with IR solder reflow
- Four colors available: red, orange, yellow, and green
- Available in 8 mm tape on 7" (178 mm) diameter reels

Applications

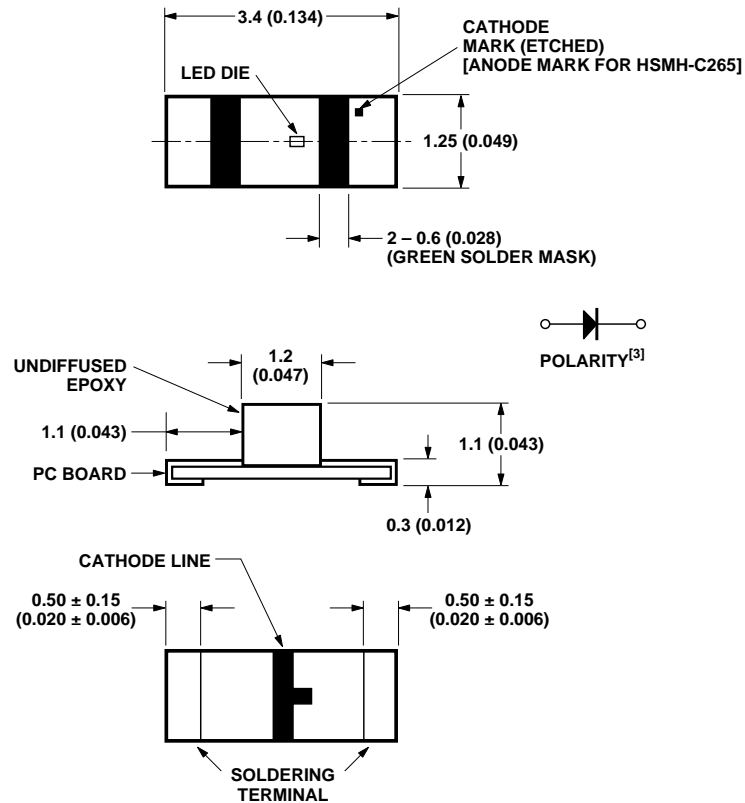
- Keypad backlighting
- Symbol backlighting
- LCD backlighting
- Status indication
- Front panel indicator

Device Selection Guide

Part Number	Color	Parts Per Reel
HSMS-C265	High Efficiency Red	3000
HSMD-C265	Orange	3000
HSMY-C265	Yellow	3000
HSMG-C265	Green	3000
HSMH-C265	AlGaAs Red	3000



Package Dimensions



NOTES:

1. ALL DIMENSIONS IN MILLIMETERS (INCHES).
2. TOLERANCE IS ± 0.1 mm (± 0.004 IN.) UNLESS OTHERWISE SPECIFIED.
3. POLARITY OF HSMH-C265 WILL BE THE OPPOSITE OF WHAT IS SHOWN ON ABOVE DRAWING.

Absolute Maximum Ratings

$T_A = 25^\circ\text{C}$

Parameter	HSMG/G/S/Y-C265	HSMH-C265	Units
DC Forward Current ^[1]	25	25	mA
Peak Pulsing Current ^[2]	100	100	mA
Power Dissipation	65	65	mW
Reverse Voltage ($I_R = 100 \mu\text{A}$)	5	5	V
LED Junction Temperature	95	95	$^\circ\text{C}$
Operating Temperature Range	-30 to +85	-30 to +85	$^\circ\text{C}$
Storage Temperature Range	-40 to +85	-40 to +85	$^\circ\text{C}$
Soldering Temperature	See IR soldering profile (Figure 6)		

Notes:

1. Derate linearly as shown in Figure 4.
2. Pulse condition of 1/10 duty and 0.1 ms width.

Electrical Characteristics

T_A = 25°C

Part Number	Forward Voltage V _F (Volts) @ I _F = 20 mA		Reverse Breakdown V _R (Volts) @ I _R = 100 μA	Capacitance C (pF), VF = 0, f = 1 MHz	Thermal Resistance R _{θJ-PIN} (°C/W)
	Typ.	Max.	Min.	Typ. ^[1]	Typ.
HSMS-C265	2.1	2.6	5	8	250
HSMD-C265	2.2	2.6	5	6	250
HSMY-C265	2.1	2.6	5	7	250
HSMG-C265	2.2	2.6	5	6	250
HSMH-C265	1.8	2.6	5	18	300

Optical Characteristics

T_A = 25°C

Part Number	Color	Luminous Intensity I _v (mcd) @ 20 mA ^[1]		Peak Wavelength λ _{peak} (nm)	Dominant Wavelength λ _d (nm) ^[2]	Viewing Angle 2θ _{1/2} Degrees ^[3]
		Min.	Typ.	Typ.	Typ.	Typ.
HSMS-C265	HER	2.5	10.0	630	626	170
HSMD-C265	Orange	2.5	8.0	605	604	170
HSMY-C265	Yellow	2.5	8.0	589	586	170
HSMG-C265	Green	4.0	15.0	570	572	170
HSMH-C265	AlGaAs	6.3	17.0	660	639	170

Notes:

1. The luminous intensity, I_v, is measured at the peak of the spatial radiation pattern which may not be aligned with the mechanical axis of the lamp package.
2. The dominant wavelength, λ_d, is derived from the CIE Chromaticity Diagram and represents the perceived color of the device.
3. θ_{1/2} is the off-axis angle where the luminous intensity is 1/2 the peak intensity.

Color Bin Limits**Green Color Bins^[1]**

Bin ID	Dom. Wavelength (nm)	
	Min.	Max.
A	561.5	564.5
B	564.5	567.5
C	567.5	570.5
D	570.5	573.5
E	573.5	576.5

Tolerance: ± 0.5 nm**Yellow/Amber Color Bins^[1]**

Bin ID	Dom. Wavelength (nm)	
	Min.	Max.
A	582.0	584.5
B	584.5	587.0
C	587.0	589.5
D	589.5	592.0
E	592.0	594.5
F	594.5	597.0

Tolerance: ± 0.5 nm**Orange Color Bins^[1]**

Bin ID	Dom. Wavelength (nm)	
	Min.	Max.
A	597.0	600.0
B	600.0	603.0
C	603.0	606.0
D	606.0	609.0
E	609.0	612.0
F	612.0	615.0

Tolerance: ± 1 nm**Light Intensity (Iv) Bin Limits^[1]**

Bin ID	Intensity (mcd)		Bin ID	Intensity (mcd)	
	Min.	Max.		Min.	Max.
A	0.11	0.18	N	28.50	45.00
B	0.18	0.29	P	45.00	71.50
C	0.29	0.45	Q	71.50	112.50
D	0.45	0.72	R	112.50	180.00
E	0.72	1.10	S	180.00	285.00
F	1.10	1.80	T	285.00	450.00
G	1.80	2.80	U	450.00	715.00
H	2.80	4.50	V	715.00	1125.00
J	4.50	7.20	W	1125.00	1800.00
K	7.20	11.20	X	1800.00	2850.00
L	11.20	18.00	Y	2850.00	4500.00
M	18.00	28.50			

Tolerance: $\pm 15\%$ **Note:**

- Bin categories are established for classification of products. Products may not be available in all categories. Please contact your Agilent representative for information on currently available bins.

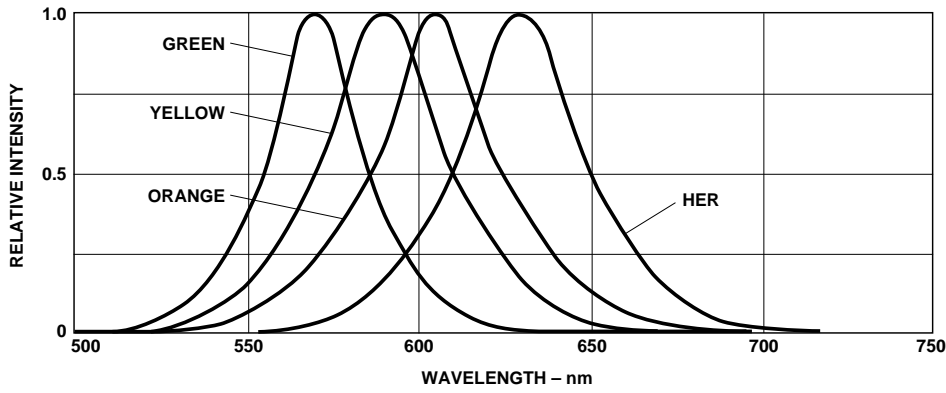


Figure 1. Relative intensity vs. wavelength.

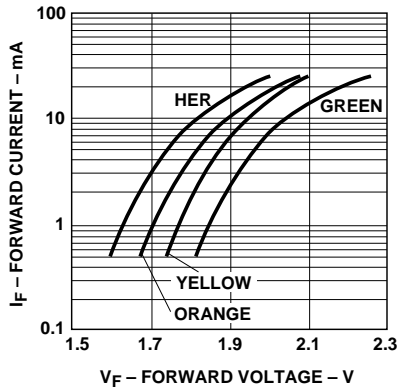


Figure 2. Forward current vs. forward voltage.

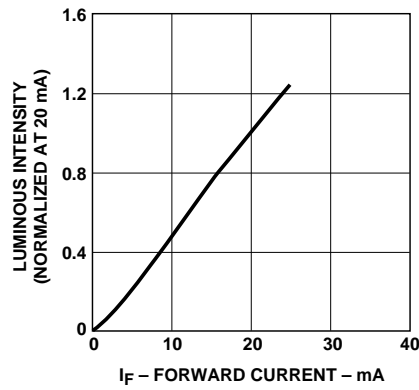


Figure 3. Luminous intensity vs. forward current.

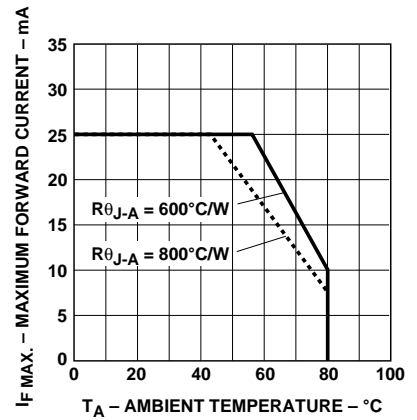


Figure 4. Maximum forward current vs. ambient temperature.

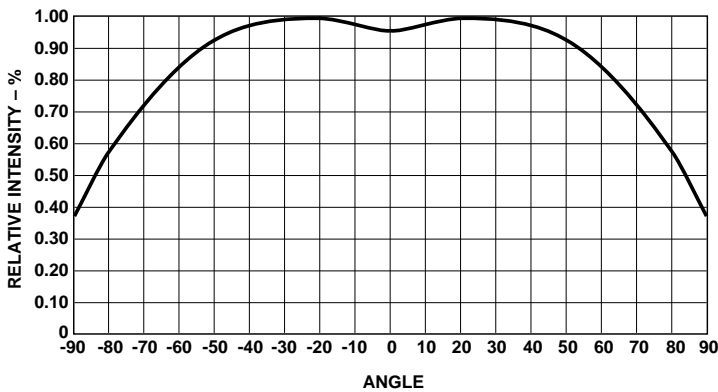


Figure 5. Relative intensity vs. angle.

Note:

1. All dimensions in millimeters (inches).

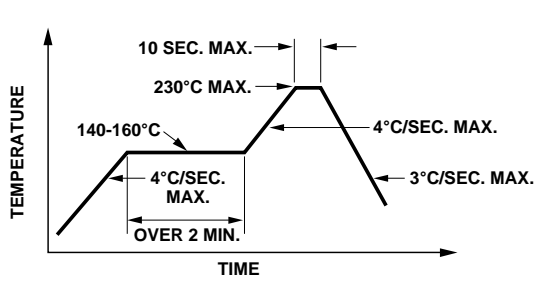


Figure 6. Recommended reflow soldering profile.

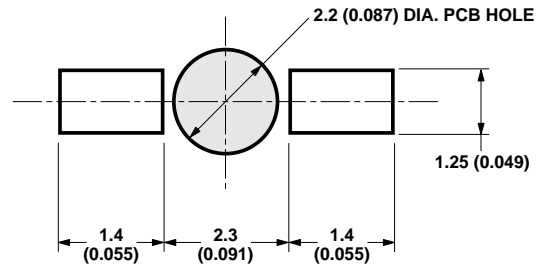


Figure 7. Recommended soldering pad pattern.

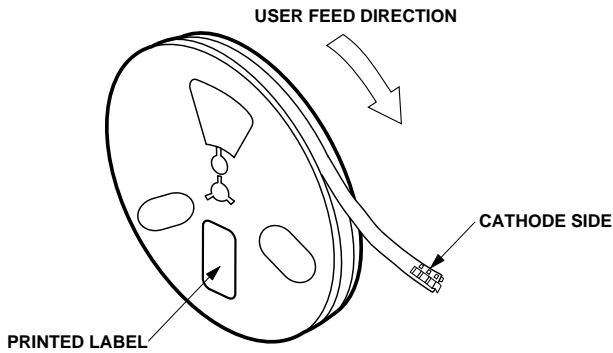


Figure 8. Reeling orientation.

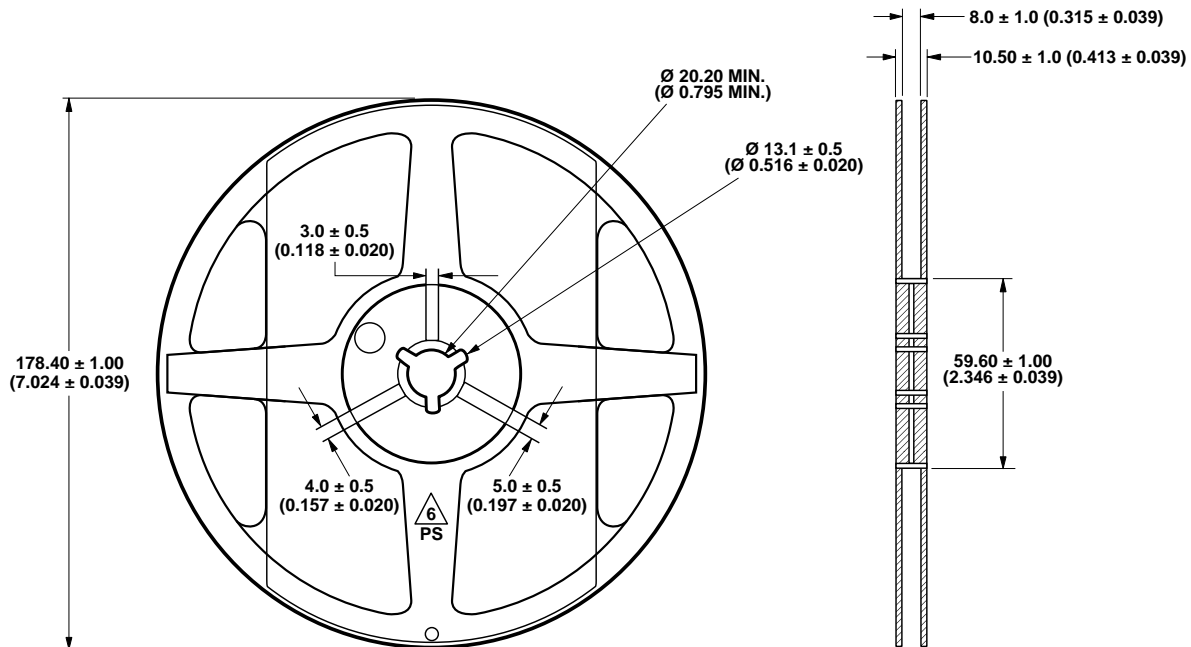


Figure 9. Reel dimensions.

Note:

1. All dimensions in millimeters (inches).

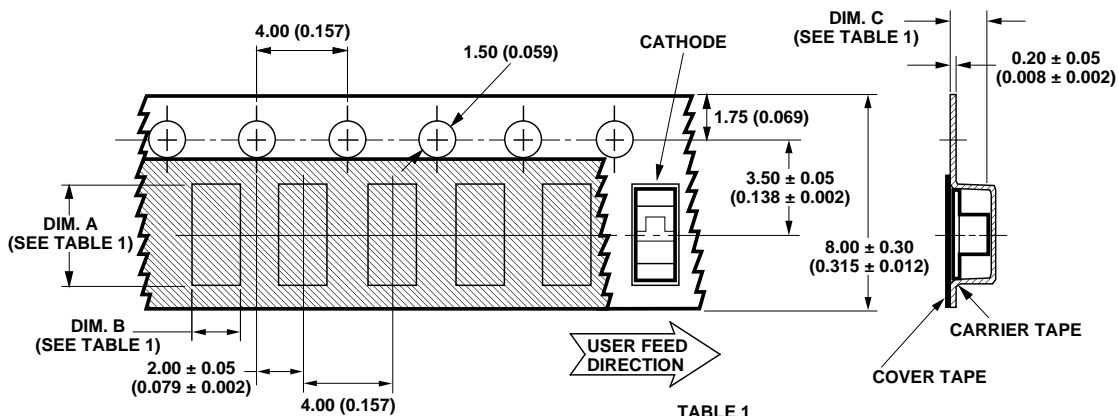


TABLE 1
DIMENSIONS IN MILLIMETERS (INCHES)

PART NUMBER	DIM. A ± 0.10 (0.004)	DIM. B ± 0.10 (0.004)	DIM. C ± 0.10 (0.004)
HSMx-C265 SERIES	3.70 (0.146)	1.45 (0.057)	1.30 (0.051)

Figure 10. Tape dimensions.

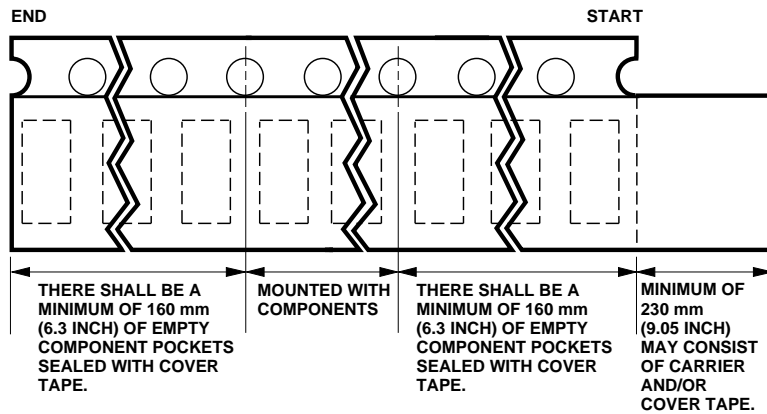


Figure 11. Tape leader and trailer dimensions.

Convective IR Reflow Soldering

For more information on IR reflow soldering, refer to Application Note 1060, *Surface Mounting SMT LED Indicator Components*.

Storage Condition:

5 to 30°C @ 60% RH max.

Baking is required under the condition:

a) the blue silica gel indicator becoming white/transparent color

b) the pack has been open for more than 1 week

Baking recommended condition:
60 ± 5°C for 20 hours.

Notes:

1. All dimensions in millimeters (inches).
2. Tolerance is 0.1 mm (0.004 in.) unless otherwise specified.

www.agilent.com/semiconductors

For product information and a complete list of distributors, please go to our web site.

For technical assistance call:

Americas/Canada: +1 (800) 235-0312 or
(408) 654-8675

Europe: +49 (0) 6441 92460

China: 10800 650 0017

Hong Kong: (+65) 6271 2451

India, Australia, New Zealand: (+65) 6271 2394

Japan: (+81 3) 3335-8152(Domestic/International), or 0120-61-1280(Domestic Only)

Korea: (+65) 6271 2194

Malaysia, Singapore: (+65) 6271 2054

Taiwan: (+65) 6271 2654

Data subject to change.

Copyright © 2002 Agilent Technologies, Inc.

Obsoletes 5988-4568EN

April 18, 2002

5988-6270EN



Agilent Technologies