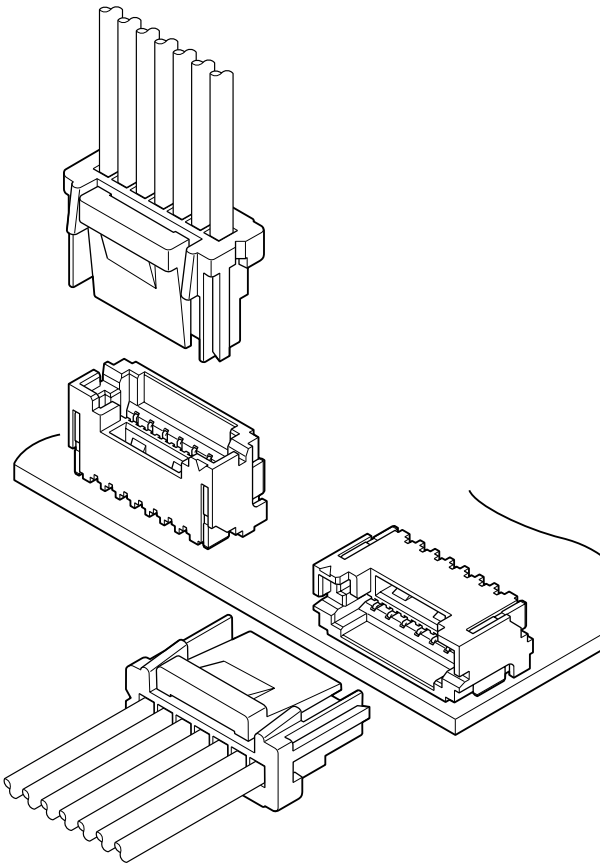


ZE CONNECTOR

1.5mm pitch/Disconnectable Crimp style connectors



1.5mm pitch secure lock type connector. Fork-shaped header contact provides the good mating feeling and secure mating operation.

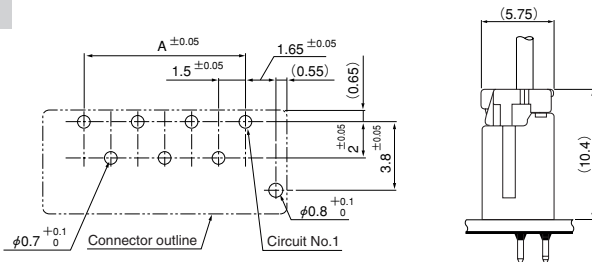
- Secure locking structure
- Contact locking structure

Specifications

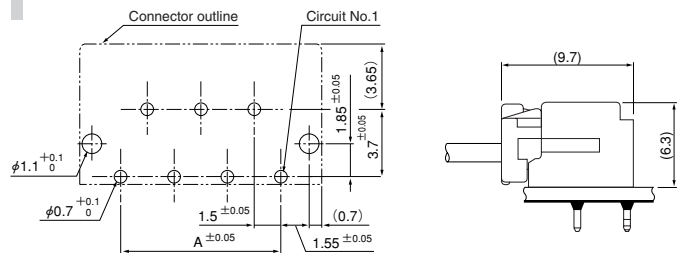
- Current rating: 2A AC, DC (AWG #24)
 - Voltage rating: 100V AC, DC
 - Temperature range: -25°C to +85°C
(including temperature rise in applying electrical current)
 - Contact resistance: Initial value/20m Ω max.
After environmental testing/40m Ω max.
 - Insulation resistance: 500M Ω min.
 - Withstanding voltage: 500V AC/minute
 - Applicable wire: Conductor size/AWG #28 to #24
Insulation O.D./0.8 to 1.2mm
- * RoHS compliant products are published.
* Refer to "General Instruction and Notice when using Terminals and Connectors" at the end of this catalog.
* Contact JST for details.

PC board layout (viewed from component side) and Assembly layout

Top entry type



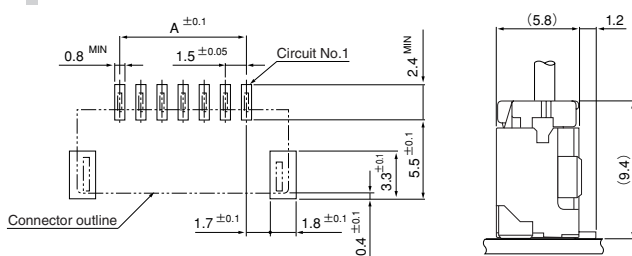
Side entry type



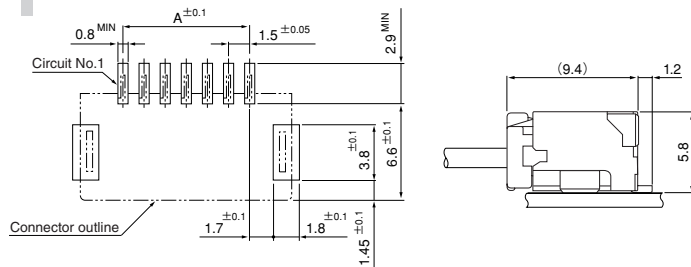
Note: 1. Tolerances are non-cumulative: $\pm 0.05\text{mm}$ for all centers.
2. Hole dimensions differ according to the kind of PC board and piercing method.
The dimensions above should serve as a guideline. Contact JST for details.

<SMT type>

Top entry type



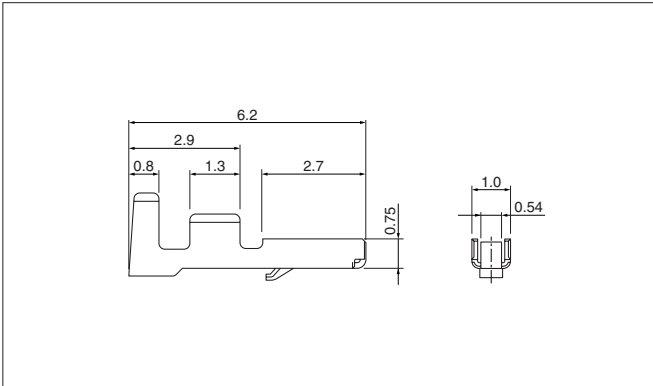
Side entry type



Note: 1. Tolerances are non-cumulative: $\pm 0.1\text{mm}$ for all centers.
2. The dimensions above should serve as a guideline. Contact JST for details.

ZE CONNECTOR

Contact



| Model No. | Applicable wire | | Insulation O.D. (mm) | Q'ty/reel |
|----------------------|-----------------|-------|----------------------|-----------|
| | mm ² | AWG# | | |
| SZE-002T-P0.3 | 0.13~0.21 | 26~24 | 1.0~1.2 | 16,000 |
| SZE-003T-P0.3 | 0.08~0.13 | 28~26 | 0.8~1.0 | 16,000 |

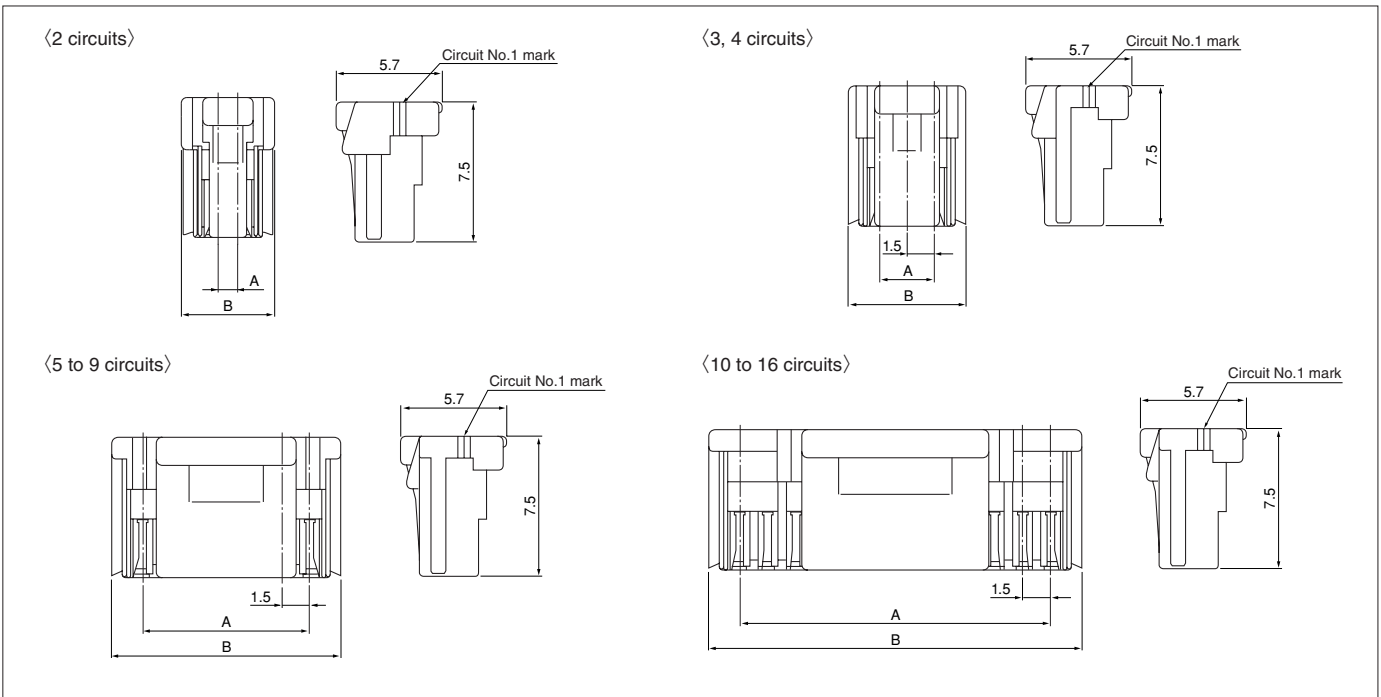
Material and Finish

Copper alloy, tin-plated (reflow treatment)

RoHS compliance

| Contact | Crimping machine | Applicator | | |
|----------------------|------------------|------------------|---------------|----------------------------|
| | | Crimp applicator | Dies | Crimp applicator with dies |
| SZE-002T-P0.3 | AP-K2N | MKS-L | MK/SZE-002-03 | APLMK SZE002-03 |
| | | — | — | — |
| SZE-003T-P0.3 | AP-K2N | MKS-L | MK/SZE-003-03 | APLMK SZE003-03 |
| | | — | — | — |

Housing



| Circuits | Model No. | Dimensions (mm) | | Q'ty/bag |
|----------|------------------|-----------------|------|----------|
| | | A | B | |
| 2 | ZER-02V-S | 1.5 | 5.0 | 6,000 |
| 3 | ZER-03V-S | 3.0 | 6.3 | 6,000 |
| 4 | ZER-04V-S | 4.5 | 7.8 | 5,000 |
| 5 | ZER-05V-S | 6.0 | 9.3 | 3,000 |
| 6 | ZER-06V-S | 7.5 | 10.8 | 3,000 |
| 7 | ZER-07V-S | 9.0 | 12.3 | 2,000 |
| 8 | ZER-08V-S | 10.5 | 13.8 | 2,000 |
| 9 | ZER-09V-S | 12.0 | 15.3 | 2,000 |
| 10 | ZER-10V-S | 13.5 | 16.8 | 2,000 |
| 11 | ZER-11V-S | 15.0 | 18.3 | 2,000 |
| 12 | ZER-12V-S | 16.5 | 19.8 | 2,000 |
| 13 | ZER-13V-S | 18.0 | 21.3 | 2,000 |
| 14 | ZER-14V-S | 19.5 | 22.8 | 2,000 |
| 15 | ZER-15V-S | 21.0 | 24.3 | 1,500 |
| 16 | ZER-16V-S | 22.5 | 25.8 | 1,500 |

Material

PBT, UL94V-0, natural

RoHS compliance

<For reference> As the color identification, the following alphabet shall be put in the underlined part. For availability, delivery and minimum order quantity, contact JST.

ex. **ZER-02V-S**

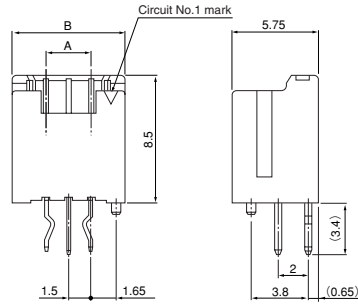
S...natural Z...ivory E...blue K...black O...orange R...red
 Y...yellow M...green N...brown L...lemon yellow
 TR...tomato red MG...moss green DP...dark purple
 DH...dark gray DO...dark orange LE...light blue PK...pink
 FY...vivid yellow DRK...dark pink

ZE CONNECTOR

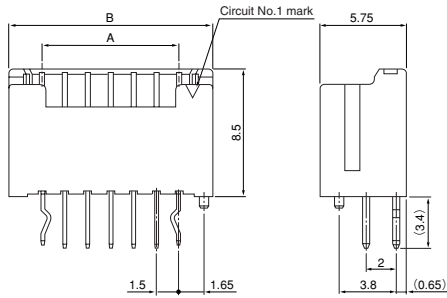
Through-hole type shrouded header

Top entry type

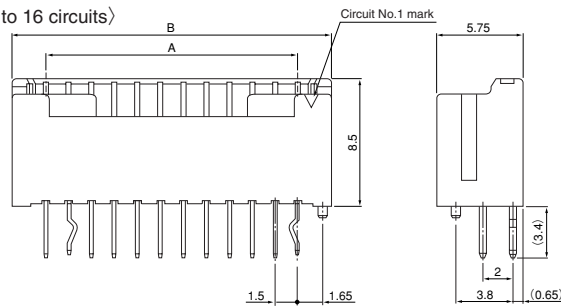
<2 to 5 circuits>



<6 to 9 circuits>

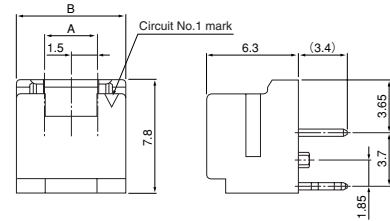


<10 to 16 circuits>

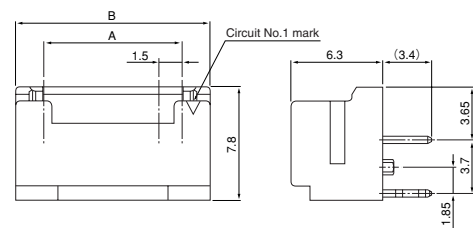


Side entry type

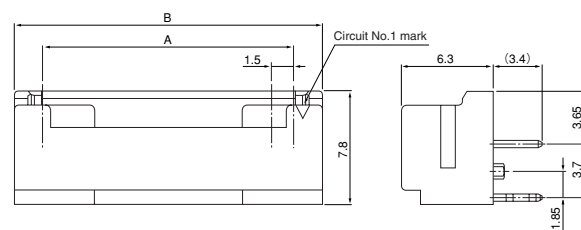
<2 to 5 circuits>



<6 to 9 circuits>



<10 to 16 circuits>



Top entry type

| Circuits | Model No. | | Dimensions (mm) | | Q'ty/ box |
|----------|--------------------|---------------------|-----------------|------|--------------|
| | Without boss | With boss | A | B | |
| 2 | — | B02B-ZESK-1D | 1.5 | 6.0 | 2,496 |
| 3 | B03B-ZESK-D | B03B-ZESK-1D | 3.0 | 7.5 | 1,984 |
| 4 | B04B-ZESK-D | B04B-ZESK-1D | 4.5 | 9.0 | 1,664 |
| 5 | B05B-ZESK-D | B05B-ZESK-1D | 6.0 | 10.5 | 1,408 |
| 6 | B06B-ZESK-D | B06B-ZESK-1D | 7.5 | 12.0 | 1,216 |
| 7 | B07B-ZESK-D | B07B-ZESK-1D | 9.0 | 13.5 | 1,088 |
| 8 | B08B-ZESK-D | B08B-ZESK-1D | 10.5 | 15.0 | 960 |
| 9 | B09B-ZESK-D | B09B-ZESK-1D | 12.0 | 16.5 | 896 |
| 10 | B10B-ZESK-D | B10B-ZESK-1D | 13.5 | 18.0 | 832 |
| 11 | B11B-ZESK-D | B11B-ZESK-1D | 15.0 | 19.5 | 768 |
| 12 | B12B-ZESK-D | B12B-ZESK-1D | 16.5 | 21.0 | 704 |
| 13 | B13B-ZESK-D | B13B-ZESK-1D | 18.0 | 22.5 | 640 |
| 14 | B14B-ZESK-D | B14B-ZESK-1D | 19.5 | 24.0 | 576 |
| 15 | B15B-ZESK-D | B15B-ZESK-1D | 21.0 | 25.5 | 576 |
| 16 | B16B-ZESK-D | B16B-ZESK-1D | 22.5 | 27.0 | 512 |

Material and Finish

Contact: Copper alloy, copper-undercoated, tin-plated (reflow treatment)
Wafer: Glass-filled PA 66, UL94V-0, natural

Side entry type

| Circuits | Model No. | Dimensions (mm) | | Q'ty/ box |
|----------|---------------------|-----------------|------|--------------|
| | | A | B | |
| 2 | S02B-ZESK-2D | 1.5 | 6.0 | 1,872 |
| 3 | S03B-ZESK-2D | 3.0 | 7.5 | 1,488 |
| 4 | S04B-ZESK-2D | 4.5 | 9.0 | 1,248 |
| 5 | S05B-ZESK-2D | 6.0 | 10.5 | 1,056 |
| 6 | S06B-ZESK-2D | 7.5 | 12.0 | 912 |
| 7 | S07B-ZESK-2D | 9.0 | 13.5 | 816 |
| 8 | S08B-ZESK-2D | 10.5 | 15.0 | 720 |
| 9 | S09B-ZESK-2D | 12.0 | 16.5 | 672 |
| 10 | S10B-ZESK-2D | 13.5 | 18.0 | 624 |
| 11 | S11B-ZESK-2D | 15.0 | 19.5 | 576 |
| 12 | S12B-ZESK-2D | 16.5 | 21.0 | 528 |
| 13 | S13B-ZESK-2D | 18.0 | 22.5 | 480 |
| 14 | S14B-ZESK-2D | 19.5 | 24.0 | 432 |
| 15 | S15B-ZESK-2D | 21.0 | 25.5 | 432 |
| 16 | S16B-ZESK-2D | 22.5 | 27.0 | 384 |

Material and Finish

Contact: Copper alloy, copper-undercoated, tin-plated (reflow treatment)
Wafer: Glass-filled PA 66, UL94V-0, natural

RoHS compliance This product displays (LF)(SN) on a label.
Note: Top entry type 2 circuits is only header with boss.

RoHS compliance This product displays (LF)(SN) on a label.

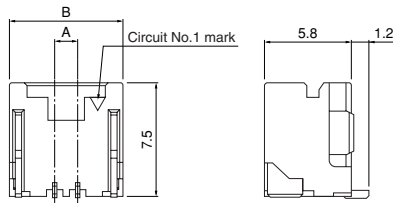
<For reference> As the color identification, the following alphabet shall be put in the underlined part.
For availability, delivery and minimum order quantity, contact JST.

ex. **B02B-ZESK-1D, S02B-ZESK-2D** S...natural Z...ivory E...blue K...black O...orange R...red Y...yellow M...green N...brown L...lemon yellow
TR...tomato red MG...moss green DP...dark purple DH...dark gray DO...dark orange LE...light blue PK...pink FY...vivid yellow DRK...dark pink

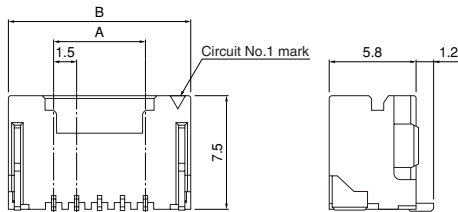
SMT type shrouded header

Top entry type

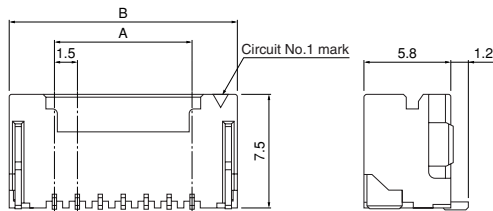
<2 circuits>



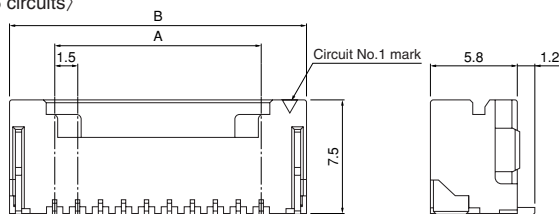
<3 to 5 circuits>



<6 to 9 circuits>

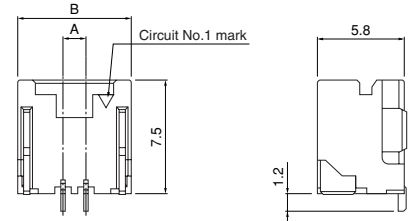


<10 to 16 circuits>

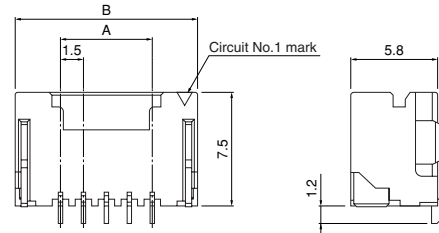


Side entry type

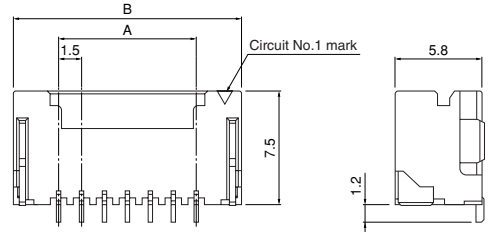
<2 circuits>



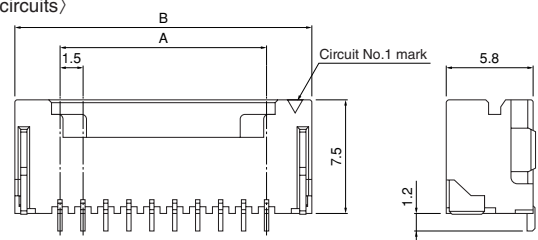
<3 to 5 circuits>



<6 to 9 circuits>



<10 to 16 circuits>



Top entry type

| Circuits | Model No. | Dimensions (mm) | | Q'ty/ reel |
|----------|----------------|-----------------|------|---------------|
| | | A | B | |
| 2 | BM02B-ZESS-TBT | 1.5 | 7.5 | 800 |
| 3 | BM03B-ZESS-TBT | 3.0 | 9.0 | 800 |
| 4 | BM04B-ZESS-TBT | 4.5 | 10.5 | 800 |
| 5 | BM05B-ZESS-TBT | 6.0 | 12.0 | 800 |
| 6 | BM06B-ZESS-TBT | 7.5 | 13.5 | 800 |
| 7 | BM07B-ZESS-TBT | 9.0 | 15.0 | 800 |
| 8 | BM08B-ZESS-TBT | 10.5 | 16.5 | 800 |
| 9 | BM09B-ZESS-TBT | 12.0 | 18.0 | 800 |
| 10 | BM10B-ZESS-TBT | 13.5 | 19.5 | 800 |
| 11 | BM11B-ZESS-TBT | 15.0 | 21.0 | 800 |
| 12 | BM12B-ZESS-TBT | 16.5 | 22.5 | 800 |
| 13 | BM13B-ZESS-TBT | 18.0 | 24.0 | 800 |
| 14 | BM14B-ZESS-TBT | 19.5 | 25.5 | 800 |
| 15 | BM15B-ZESS-TBT | 21.0 | 27.0 | 800 |
| 16 | BM16B-ZESS-TBT | 22.5 | 28.5 | 800 |

Material and Finish

Contact: Copper alloy, copper-undercoated, tin-plated (reflow treatment)
Wafer: Polyamide, UL94V-0, natural
Reinforcement: Copper alloy, copper-undercoated, tin-plated (reflow treatment)

RoHS compliance This product displays (LF)(SN) on a label.
Note: This products listed above are supplied on embossed-tape/with suction tape.

<For reference> As the color identification, the following alphabet shall be put in the underlined part.
For availability, delivery and minimum order quantity, contact JST.

ex. **BM02B-ZESS-TBT, SM02B-ZESS-TB** S...natural Z...ivory E...blue LE...light blue K...black TR...tomato red L...lemon yellow
DH...dark gray DP...dark purple DO...dark orange MG...moss green DRK...dark pink

Side entry type

| Circuits | Model No. | Dimensions (mm) | | Q'ty/ reel |
|----------|---------------|-----------------|------|---------------|
| | | A | B | |
| 2 | SM02B-ZESS-TB | 1.5 | 7.5 | 1,000 |
| 3 | SM03B-ZESS-TB | 3.0 | 9.0 | 1,000 |
| 4 | SM04B-ZESS-TB | 4.5 | 10.5 | 1,000 |
| 5 | SM05B-ZESS-TB | 6.0 | 12.0 | 1,000 |
| 6 | SM06B-ZESS-TB | 7.5 | 13.5 | 1,000 |
| 7 | SM07B-ZESS-TB | 9.0 | 15.0 | 1,000 |
| 8 | SM08B-ZESS-TB | 10.5 | 16.5 | 1,000 |
| 9 | SM09B-ZESS-TB | 12.0 | 18.0 | 1,000 |
| 10 | SM10B-ZESS-TB | 13.5 | 19.5 | 1,000 |
| 11 | SM11B-ZESS-TB | 15.0 | 21.0 | 1,000 |
| 12 | SM12B-ZESS-TB | 16.5 | 22.5 | 1,000 |
| 13 | SM13B-ZESS-TB | 18.0 | 24.0 | 1,000 |
| 14 | SM14B-ZESS-TB | 19.5 | 25.5 | 1,000 |
| 15 | SM15B-ZESS-TB | 21.0 | 27.0 | 1,000 |
| 16 | SM16B-ZESS-TB | 22.5 | 28.5 | 1,000 |

Material and Finish

Contact: Copper alloy, copper-undercoated, tin-plated (reflow treatment)
Wafer: Polyamide, UL94V-0, natural
Reinforcement: Copper alloy, copper-undercoated, tin-plated (reflow treatment)

RoHS compliance This product displays (LF)(SN) on a label.
Note: This products listed above are supplied on embossed-tape/without suction tape.