

SYS-4W5122-7U01

**Intel® Core™ i7/i5/i3
LGA1155 MicroATX
System with PS/2
Power Supply**



Features

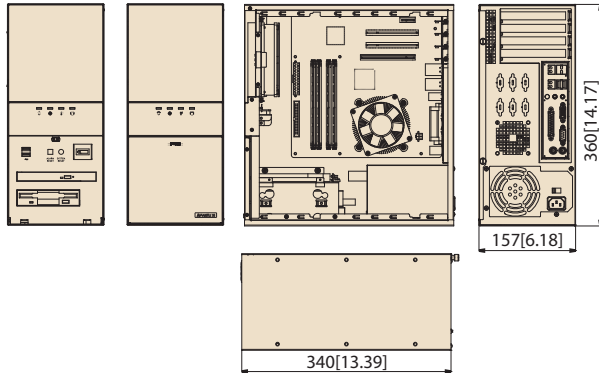
- Intel® Q77 platform
 - Supports Intel® Core™ i7/ i5/ i3 processors
 - Supports dual channel DDR3 1333/1600 SDRAM up to 32GB
 - Supports dual display of VGA, DVI, and dual GbE LAN
 - Supports one PCIe x16, one PCIe x4, and 4 x PCI add-on cards
- User friendly and alarm notification
 - Front LED indicators for the system default detection
 - Easy-to-maintain system fan and reusable air filter

Specifications

Form Factor		Desktop/Wallmount		
Computing System	Chipset	Intel Q77		
	CPU	Core i7-2600 3.4 GHz	Core i5-2400 3.1 GHz	Core i3-2120 3.3 GHz
	L3 Cache	8 MB	6 MB	3 MB
	Core Number	4	4	2
	Memory	Dual channel DDR3 1333/1600 MHZ up to 32 GB		
Graphics	Embedded	Intel HD Graphics		
	Vram	1 GB maximum shared memory with 2GB and above system memory installed		
Expansion Slot	PCIe x16	1		
	PCIe x4	1		
	PCI	2		
Drive Bay	Slim Optical Drive	1		
	3.5" (Front-Accessible)	1		
	3.5" (Internal)	1		
Ethernet	Interface	10/100/1000 Base-T		
	Controller	LAN1: Intel 82579LM LAN2: Intel 82583V		
Front I/O Ports	USB	2		
Real I/O Ports	USB	4		
	PS/2	2		
	COM	1		
	VGA	1 VGA + 1 DVI +1 DP		
	Parallel	1		
	RJ-45	1		
	Audio	2 (Mic-in, Line-Out)		
Power Supply	Power Output Wattage	300 W		
	Input Range	AC 100-240 V		
Cooling	Chassis Fan	1 (12 cm/ 85 CFM)		
	Air Filter	Yes		
Miscellaneous	Notification LEDs	Power staus, HDD activity, temperature and Fan		
Environment		Operating	Non-Operating	
	Temperature	0 ~ 40° C (32 ~ 104° F)	-20 ~ 60° C (-4 ~ 104° F)	
	Humidity	10 ~ 85% @ 40° C, non-condensing	10 ~ 95% @ 40° C, non-condensing	
Physical Characteristics	Dimension (W x H x D)	157 x 360 x 340 mm (6.2" x 14.2" x 13.4")		
	Weight	8.5g (22.3b)		

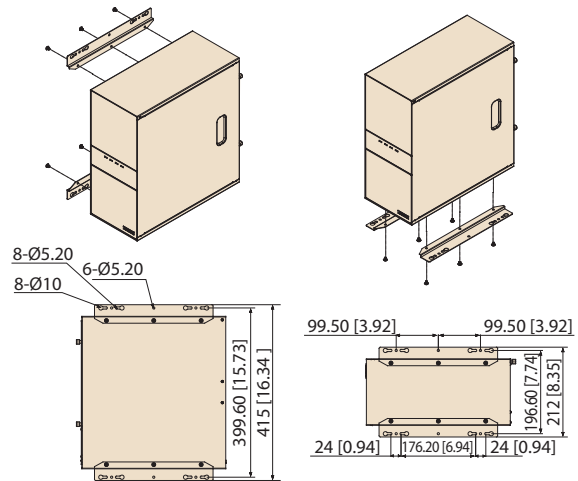
Dimensions

Unit: mm [inch]



Installation

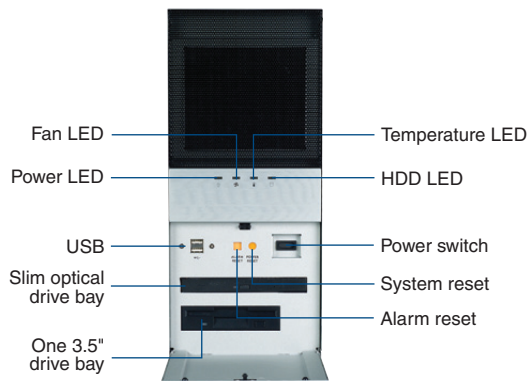
Unit: mm [inch]



Ordering Information

Please visit Advantech eStore for order entry.
<http://buy.advantech.com/>

Front View



System Contents

Item	Part Number
Chassis	IPC-5122-00XE
Motherboard	AIMB-582QG2-00A1E
Power	PS8-300ATX-ZBE

Inside View



Rear View

