



DM9006EP Product Brief

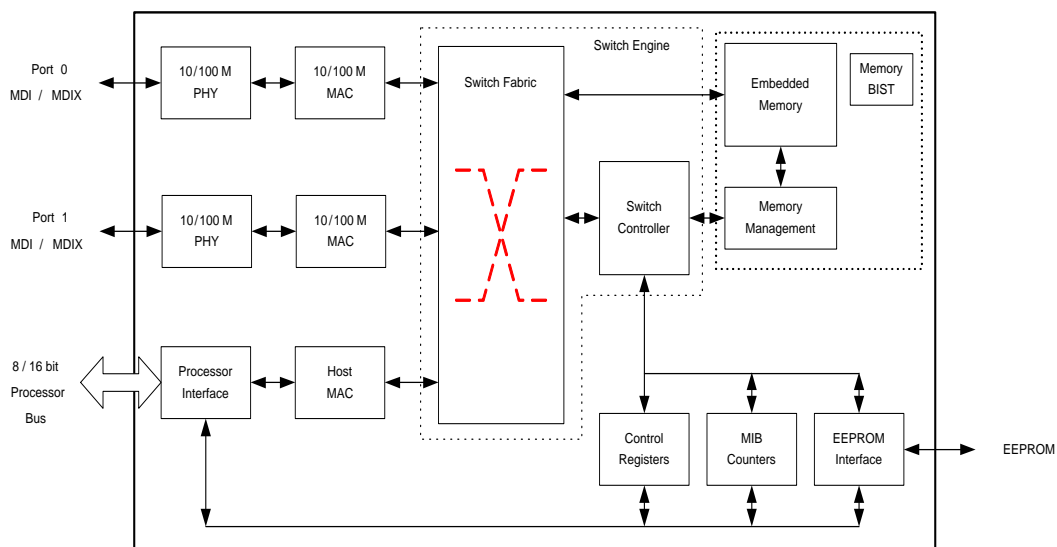
Two Port Ethernet Switch Controller with 8/16-bit

Processor Interface

January 2009 Rev.1.0

The DM9006 is a fully integrated and cost-effective fast Ethernet switch controller with two ports 10M/100M PHY, and local bus interface. The controller provides basic Layer-2 switch functions and advance IEEE 802.1Q VLAN, priority queuing scheme, IGMP snooping protocol. The integrated two ports PHY are compliant with IEEE 802.3u standards.

Block Diagram



Specifications

- Ethernet Switch with two 10/100Mb PHY with 16-bit Processor Interface
- Per port supports 4 priority queues by Port-based, 802.1P VLAN, and IP TOS priority.
- Support 802.1Q VLAN up-to 16 VLAN group.
- Support VLAN ID tag/untag options
- Per port support bandwidth, ingress and egress rate control.
- Support Broadcast Storming filter function
- Support Store and Forward switching approach
- Support IEEE 802.3x Flow Control in Full-duplex mode.
- Support Back Pressure Flow Control in Half-duplex mode.
- Recode up-to 1K Uni-cast MAC addresses
- Automatic aging scheme
- EEPROM interface for power up configurations
- Support MIB-II counters
- Local bus slave architecture
- Support multicast filter function
- TCP/IP/UDP/IPv4 checksum offload
- Support IGMP Snooping v1, v2
- Support port security
- WoL (Wake-on-LAN)
- Compatible with 3.3V and 5.0V tolerant I/O
- DSP PHY with HP Auto-MDIX, DSP architecture PHY Transceiver.
- 64-pin LQFP, 0.18 um process

Application

- VoIP CPE (ATA, IP Phone, Video Phone)
- IP STB, IPC, Internet Radio

Ordering Information

Part Number	Pin Count	Package
DM9006EP	64	LQFP (Pb-Free)

DAVICOM Semiconductor, Inc.

No.6, Li-Hsin Rd.VI, Science Park, Hsin-Chu, Taiwan, R.O.C.

TEL: 886-3-5798797

FAX: 886-3-5646929

E-mail: sales@davicom.com.tw