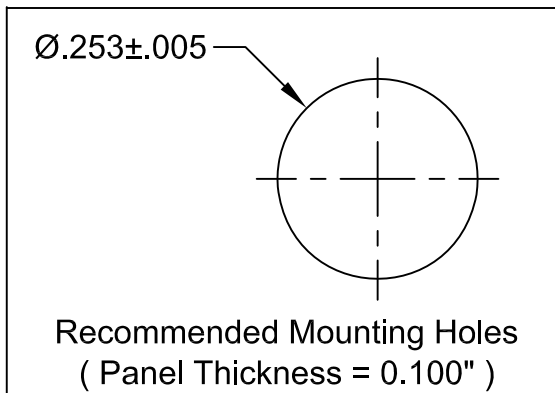
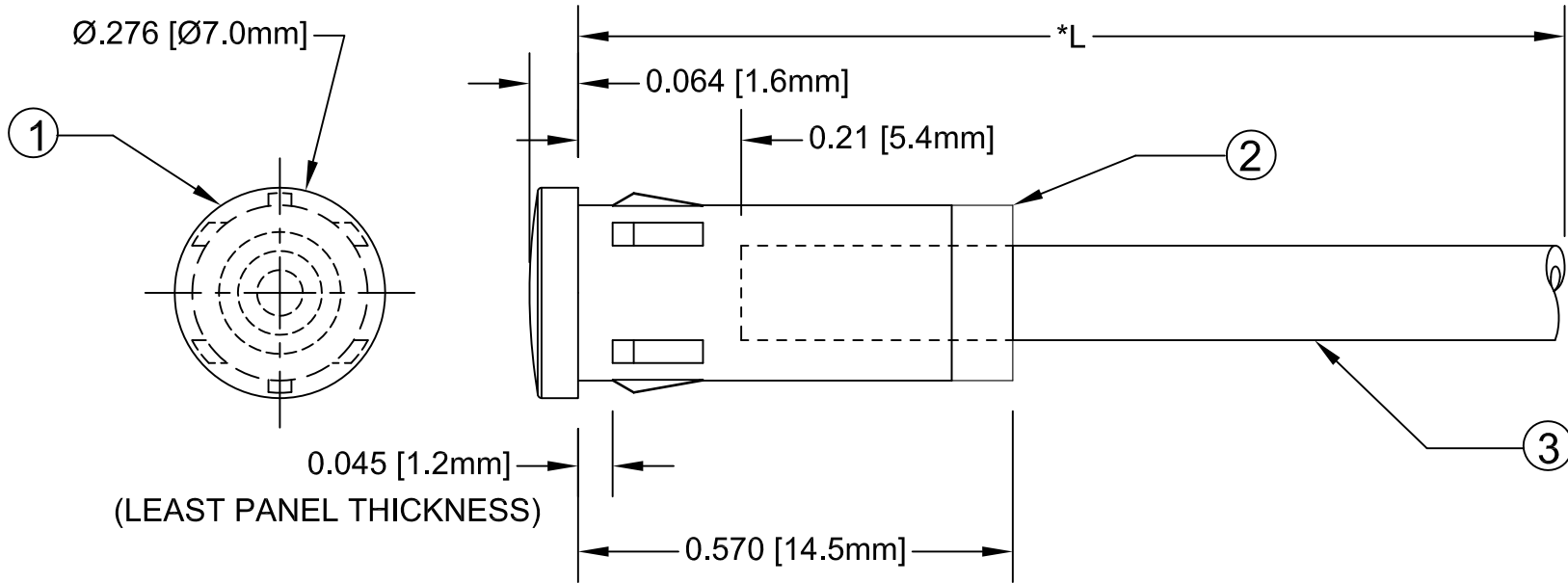



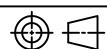
ITEM	Q'TY	PART NUMBER	PART DESCRIPTION
1	1	FLP-LC-5-02	LENS CAP, FLEXIBLE LIGHT-PIPE, BODY
2	1	FLP-LC-5-03	2mm LENS CAP, FLEXIBLE LIGHT-PIPE, INSERT
3	1	FLPS2031-X.XXX	2mm LIGHT PIPE CABLE, CUT LENGTH IN INCHES

REV.	DESCRIPTION	DATE	APPROVED
A	Engineering Release	09/14/09	T. Y.
B	Updated Fiber In BOM	11/16/12	T. Y.



" L "	Tolerance
0.750" ~ 16.000"	± 0.050 "
16.100" ~ 40.000"	± 0.150 "
40.100" ~ 80.000"	± 0.300 "
80.100" ~ 3,940.0"	$\pm 0.5\%$

*NOTE:
ALLOWABLE CUT LENGTH IS UP TO 3 DECIMAL PLACES.

STANDARD TOLERANCE (UNLESS OTHERWISE SPECIFIED)		 BIVAR [®] 4 THOMAS, IRVINE, CA. 92618 TEL: (949) 951-8808 FAX: (949) 951-3974		
DECIMALS	ANGULAR			
.X $\pm .1$	X° $\pm 1^\circ$		TITLE: LENS CAP / FLP ASSEMBLY, 7mm ROUND	
.XX $\pm .02$			DESIGNED: Brian Oliver DATE: 09/14/09	PART NO: FLP25-XX.X REVISION: B
.XXX $\pm .010$			CHECKED: Fred Jensen DATE: 09/14/09	CAGE CODE : 32559 SHEET # 1 OF 1
CAD GENERATED DOCUMENT, DO NOT MEASURE DRAWING.				