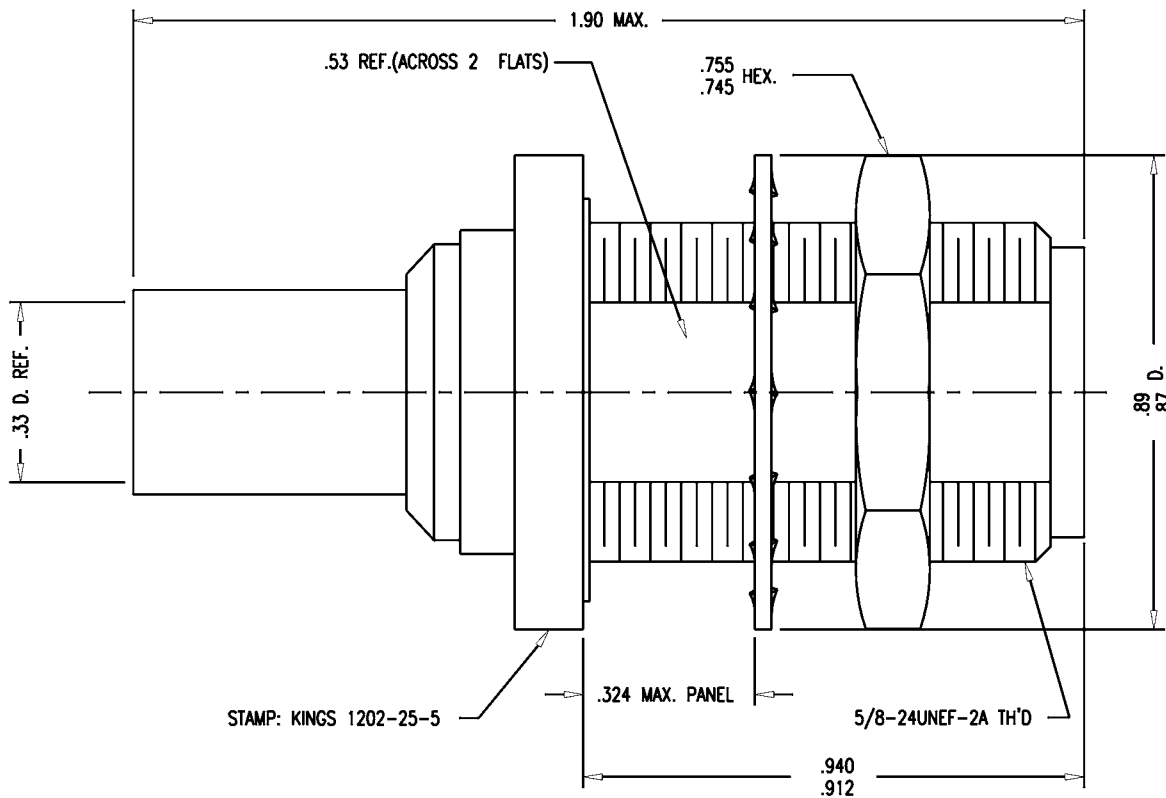


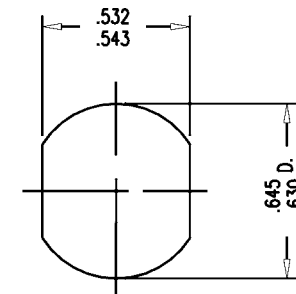
DASH NO.	M CODE	MADE FROM
----------	--------	-----------



- NOTES:
- FOR USE WITH MC DONNELL DOUGLAS ST5M1398-001, -002 & -003 CABLES.
  - FOR CABLING INSTRUCTIONS SEE 3-597.
  - FOR CRIMPING USE DIE KTH-2005.
  - INTERFACE PER MIL-STD-348, FIG. 304-2.
  - MARK PACKAGE: KINGS 1202-25-5  
MDAE 5M1985-001
  - MATERIALS:  
INSULATOR-TEFLON, ASTM-D-4894  
LOCKWASHER-PHOS. BRONZE, ASTM-B-103  
CENTER CONTACT-BER. COP., ASTM-B-196  
K-GRIP SLEEVE-COM. BRONZE, ASTM-B-140  
GASKET-SILICONE RUBBER, ZZ-R-765  
ALL OTHER METAL PARTS-BRASS, ASTM-B16
  - FINISHES:  
CENTER CONTACT-GOLD PLATE PER MIL-G-45204  
ALL OTHER METAL PARTS-SILVER PLATE PER QQ-S-365
  - ELECTRICAL CHARACTERISTICS:  
NOMINAL IMPEDANCE-50 OHMS  
FREQUENCY RANGE-DC TO 11 GHZ  
WORKING VOLTAGE-1000 VRMS

GSD

1202-25-5



MOUNTING HOLE

GSD

REVISIONS	
ISSUE	CHANGES
0	ER 35588 KH 02/06/95
1	CN 38898 A DCT 7/31/3

SCALE	4:1		
APPROX SURFACE AREA			
USED ON			
REF:	MC AIR 5M1985-001 REV. B		
JACK, BULKHEAD, N			
DRAWN	KH	DATE	02/06/95
DESIGN	LI	DATE	02/07/95
APPR.		DATE	
 <b>KINGS</b> ELECTRONICS CO., INC. ROCK HILL, SOUTH CAROLINA 29730			
1202-25-5			