

4000N Series

Tubeaxial

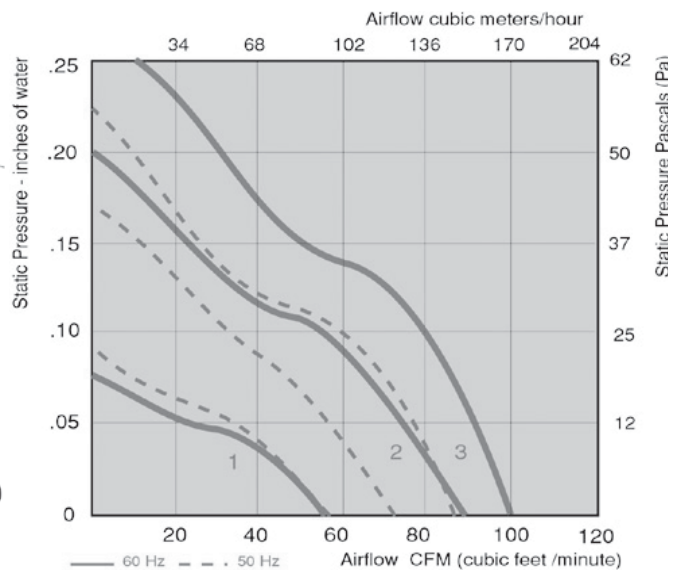
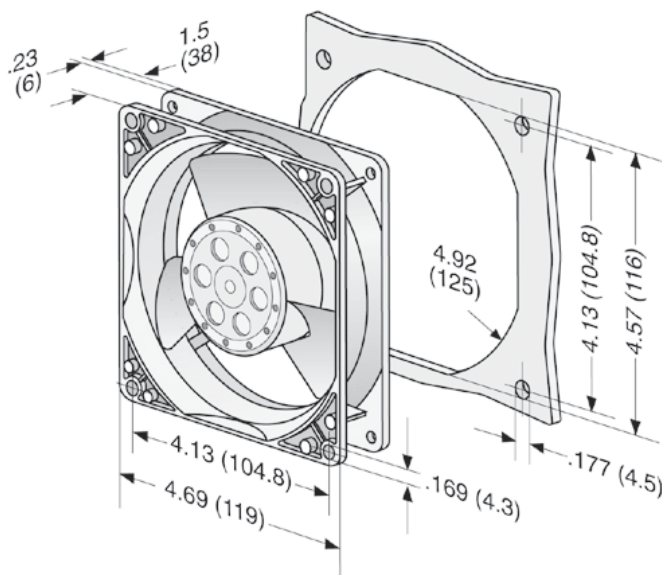
119x119x38mm

- AC fans with external rotor shaded-pole motor. Impedance protected against overloading.
- Metal fan housing and impeller.
- Air intake over struts. Rotational direction CW looking at rotor. Types 4890N and 4840N air exhaust over struts.
- Mounting from either face using four 4.3 mm holes.
- Electrical connection: Terminals with 2 flat pins 2.8 x 0.5 mm.
- Fan housing with ground lug for screw M4 and UNC.
- UL, CSA, VDE approvals on some models, please contact application engineering.

Part Number	Curve	CFM @ 0	VAC	Hertz	Power (W)	dBA	Max Amb. Temp C	Bearing Type	Speed (RPM)	Features	Wgt. (lbs)
4840N	50	1	115	50/60	10	26	75	Sintec	1650	Terminals	1.19
4800N	57	1	115	50/60	9	32	75	Sintec	1750	Terminals	1.13
4530N	89	2	115	50/60	16	45	65	Sintec	2700	Terminals	1.13
4500N	100	3	115	50/60	15	48	65	Sintec	3000	Terminals	1.13
4890N	50	1	230	50/60	10	26	75	Sintec	1550	Terminals	1.19
4850N	57	1	230	50/60	9	32	75	Sintec	1800	Terminals	1.13
4580N	89	2	230	50/60	16	45	65	Sintec	2350	Terminals	1.13
4550N	100	3	230	50/60	15	48	65	Sintec	2550	Terminals	1.13

Available on request:

- Fan housing with mounting bosses.
- Electrical connection via 2 single leads.



ebmpapst

e-mail: sales@us.ebmpapst.com · TEL: 860-674-1515 · FAX: 860-674-8536

ebm-papst Inc., 100 Hyde Road, Farmington, CT 06034 USA

ebm-papst Inc., 2004 © ebm-papst Inc. reserves the right to change any specifications or data without notice