

PRODUCT NUMBER

XXXXX-YYTTF

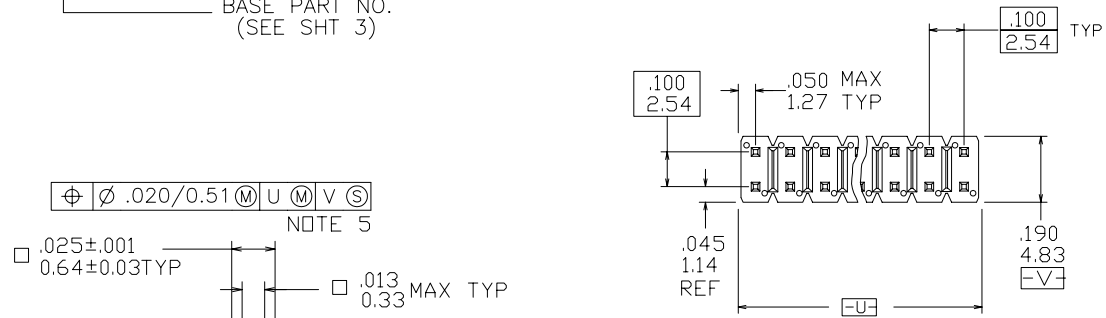
LEAD FREE OPTION (SEE NOTE 11 & 12)

TUBE PACKAGING (SEE NOTE 8)

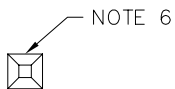
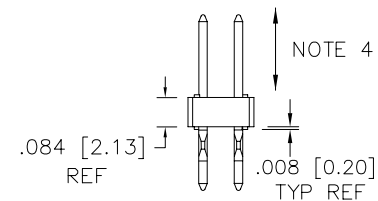
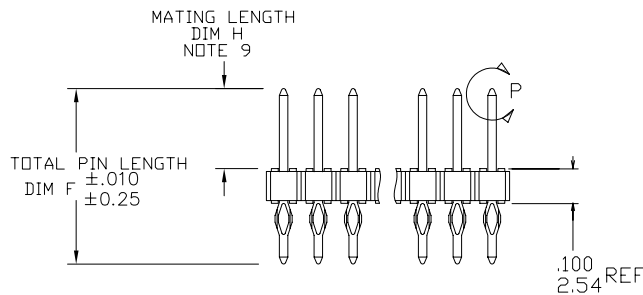
NO. OF POSITIONS (SEE NOTE 6)

PLATING NUMBER  
(SEE SHEET 2)

BASE PART NO.  
(SEE SHT 3)



DETAIL P  
SCALE: 4/1  
TYP BOTH ENDS



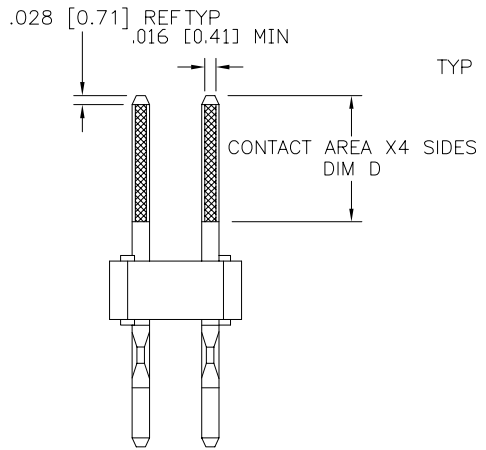
mat'l. code				surface ISO 1302 ✓		tolerance ISO 406 ISO 1101		projection INCH/MM		product family BERGSTIK	
ltr				ecn no		dr		date		tolerances unless otherwise specified	
A				V50617		HTB		5/31/95		.XX±.01/.3	
B				V50896		HTB		7/7/95		linear .XXX±.005/.13	
C				V51033		LSS		9/1/95		0°±2° .XXX±.0020/.051	
D				V71404		HTB		10/6/97		dr T. BREWBAKER 11/10/94	
E				N05-0070		MHT		4/14/05		engr T. HANNA 11/10/94	
F				M05-0118		MHT		6/03/05		chr T. HANNA 11/10/94	
G				M06-0271		AGS		7/14/06		appd T. HANNA 5/31/95	
sheet		revision		G		G		G		FCI	
index		sheet		1		2		3		scale 2:1	
title				BERGSTIK® II HEADER DR							
dwg no				94674				sheet 1 of 3 size A3			
type				Product Customer Drawing							

PLATING NUMBER	CONTACT AREA "DIM D" PLATING	PRESS FIT TAIL PLATING
XXXXX-1YY	30u"/0.76u Au OVER 50u"/1.27u Ni	40u"/1.02u TIN-LEAD OVER 50u"/1.27u Ni
XXXXX-2YY	15u"/0.38u Au OVER 50u"/1.27u Ni	40u"/1.02u TIN-LEAD OVER 50u"/1.27u Ni
XXXXX-4YY	120u"/3.05u TIN-LEAD OVER 50u"/1.27u Ni	120u"/3.05u TIN-LEAD OVER 50u"/1.27u Ni
XXXXX-5YY	30u"/0.76u GXT OVER 50u"/1.27u Ni	40u"/1.02u TIN-LEAD OVER 50u"/1.27u Ni
LF PLATING NUMBER	CONTACT AREA "DIM D" PLATING	PRESS FIT TAIL PLATING
XXXXX-1YYLF	30u"/0.76u Au OVER 50u"/1.27u Ni	40u"/1.02u TIN OVER 50u"/1.27u Ni
XXXXX-2YYLF	15u"/0.38u Au OVER 50u"/1.27u Ni	40u"/1.02u TIN OVER 50u"/1.27u Ni
XXXXX-4YYLF	120u"/3.05u TIN OVER 50u"/1.27u Ni	120u"/3.05u TIN OVER 50u"/1.27u Ni
XXXXX-5YYLF	30u"/0.76u GXT OVER 50u"/1.27u Ni	40u"/1.02u TIN OVER 50u"/1.27u Ni

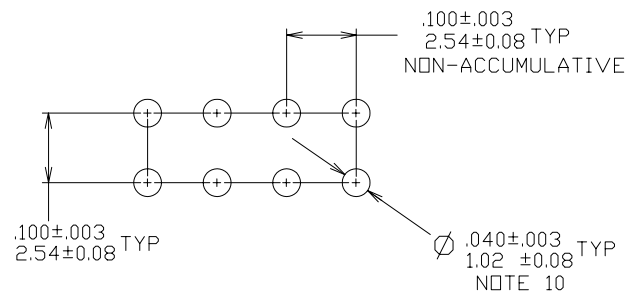
NOTE 13

NOTES

- ① BODY MATERIAL: GLASS FIBER REINFORCED PCT FLAME RETARDENT PER UL-94V-0. COLOR: BLACK.
- ② PIN MATERIAL: PHOS-BRONZE.
3. FINISH: SEE TABLE
- ④ 2 Lbs / 0.9 Kg MIN RETENTION IN EITHER DIRECTION.
- ⑤ MEASURED WITH PART IN RESTRAINED CONDITION.
- ⑥ ANY NUMBER OF POSITIONS FROM 2 (2X1) THROUGH 72 (2X36).
7. PACKAGED IN POLY BAGS.
- ⑧ EIGHT DIGIT PART NUMBERS FOLLOWED BY A "T" ARE PACKAGED IN TUBES. SEE SPECIFIC PART NUMBERS FOR AVAILABILITY.
- ⑨ TO ASSURE PROPER INSTALLATION: BERG TOOLING, AS SPECIFIED IN INSTRUCTION MANUAL 166577 MUST BE USED. PIN MATING LENGTH WILL BE ±.005/0.13 AFTER INSTALLATION.
- ⑩ ø.0453/1.151 DRILLED HOLE PLATED WITH .0003/.007 MIN. SnPb OVER .001/.03 TO .003/.08 Cu. PLATING TO ACHIEVE A ø.040±.003/1.02±.08 HOLE.
- ⑪ ADD "LF" SUFFIX AT THE END OF PART NUMBER FOR LEAD FREE OPTION.
- ⑫ THIS PRODUCT MEETS EUROPEAN UNION DIRECTIVES AND OTHER COUNTRY REGULATION AS DESCRIBED IN GS-22-008.
- ⑬ "THIS PRODUCT HAS 100% PURE TIN PLATING IN THE INTERFACE AND HAS NOT BEEN TESTED FOR WHISKER GROWTH IN ALL INTERCONNECT ENVIRONMENTS."



DOUBLE ROW  
END VIEW



DOUBLE ROW  
RECOMMENDED HOLE PATTERN

mat'l. code		surface ISO 1302 ✓	tolerance ISO 406 ISO 1101	projection INCH/MM	product family BERGSTIK
ltr	ecn	no	dr	date	title
G					BERGSTIK® II HEADER DR
				tolerances unless otherwise specified	.100/2.54cc DUPLEX PRESS FIT
				angles	linear .XX±.01/.3
				0°±2'	linear .XXX±.005/.13
					linear .XXX±.0020/.051
				scale 2:1	dwg no
				dr T. BREWBAKER 11/10/94	sheet 2 of 3 size
				enr T. HANNA 11/10/94	94674 A3
				chr T. HANNA 11/10/94	
				appd T. HANNA 5/31/95	
sheet index	revision sheet				type Product Customer Drawing



Copyright FCI

PRODUCT NO.	TOTAL PIN LGTH		MATING LENGTH		CONTACT AREA		PACKAGING
	DIM F	DIM F	DIM H	DIM H	DIM D	DIM D	
	ENGLISH	METRIC	ENGLISH	METRIC	ENGLISH	METRIC	
94674-XYX	0.505	12.83	0.230	5.84	0.185	4.70	POLY BAGS
94677-XYX	0.593	15.06	0.318	8.08	0.200	5.08	POLY BAGS
94674-XYXLF	0.505	12.83	0.230	5.84	0.185	4.70	POLY BAGS
94677-XYXLF	0.593	15.06	0.318	8.08	0.200	5.08	POLY BAGS



FCIconnect.com

Copyright FCI

mat'l. code		surface ISO 1302 <input checked="" type="checkbox"/>		tolerance ISO 406 ISO 1101		projection 		product family BERGSTIK	
ltr	ecn	no	dr	date		tolerances unless otherwise specified		title	
G						angles	.XX±.01/.3	BERGSTIK® II HEADER DR	
						linear	.xxx±.005/.13	.100/2.54cc DUPLEX PRESS FIT	
						0°±2'	.xxx±.0020/.051	scale 2:1	
				dr		T. BREWBAKER 11/10/94		dwg no	
				enfr		T. HANNA 11/10/94		sheet 3 of 3 size	
				chr		T. HANNA 11/10/94		94674 A3	
				appd		T. HANNA 5/31/95		type Product Customer Drawing	
sheet index	revision sheet								

form: A3