

FX-Z CONNECTOR

SPECIFICATIONS

Mechanical

Mating Force: 0.38N max.
Unmating Force: 0.15N min.
Durability: 100 Cycles

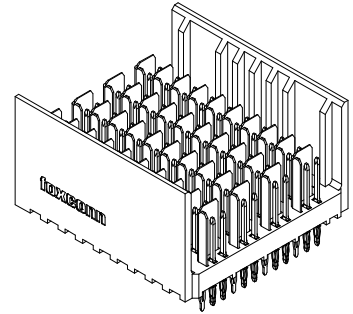
Electrical

Voltage Rating: 250V r.m.s.
Current Rating: 0.7A
Contact Resistance: 20mΩ max.
Dielectrical Withstanding Voltage: 650V
Insulation Resistance: 10000MΩ min.

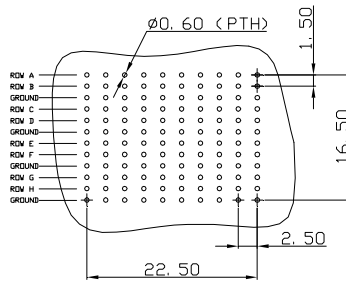
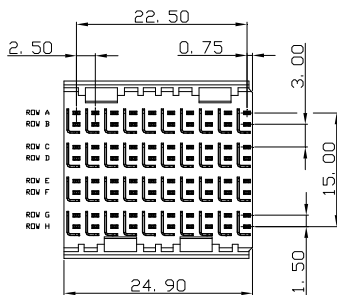
Physical

Housing: LCP, UL 94-0 rated, White
Contact: Phosphor Bronze
Plating: See "ORDERING INFORMATION"

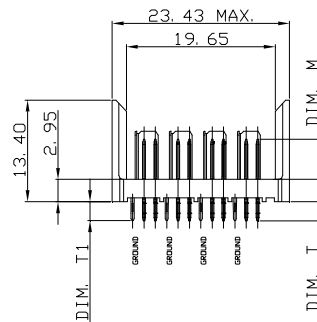
4B Series
Header, 4 Pair 10 Column
2.5mmx1.5mm Pitch



DRAWING



RECOMMENDED PCB LAYOUT



ORDERING INFORMATION

PRODUCT NO.: 4B14100 * * * * 1 *-A *

- | | |
|----------------------------|----------------------------|
| Plating Spec. | Lead Free Code |
| A=30u" Min. FTP Plating | N=None |
| 10u" Min. Gold Included | F=Lead Free Plating |
| Signal Tail Length(DIM. T) | Extension Code |
| 1=1.7mm | N=Normal Plating |
| 2=2.5mm | T>Selective Plating |
| 3=3.7mm | Ground Tail Length(DIM. M) |
| Mating Length(DIM. M) | 1=1.8mm |
| 1=3.80mm | 2=2.5mm |
| 2=5.30mm | |