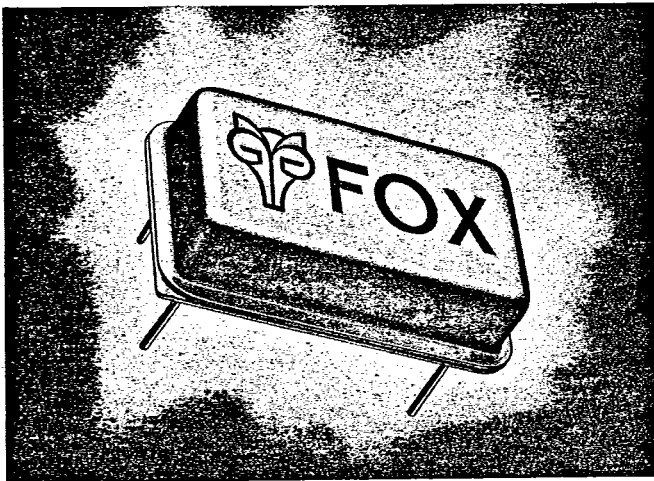
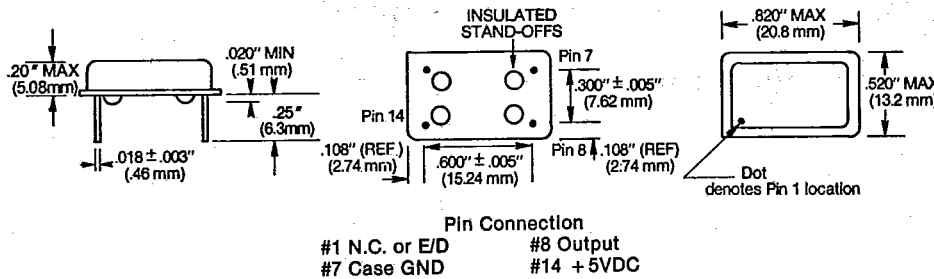


# F1100L / LS-TTL GATE ENABLE/DISABLE OSCILLATOR



The FOX F1100L offers a full resistance welded hermetic seal to provide excellent resistance to extremes of heat/humidity. With pin 7 case ground, the all metal package also offers improved shielding to minimize RF radiation, helping to meet FCC EMI specifications. The oscillator can be soldered in standard wave-line operations without damage. Insulated stand-offs permit proper defluxing, and the F1100L can also be plugged into a DIP socket. The F1100L lets you use standard logic boards with no loss of spacing.

The FOX F1100L-2 Oscillators use a NAND gate to control the output. Applying a logic '1' to pin 1, enables the output. When a logic '0' is applied to pin 1, the output goes to an active low. Disabling the output, allows the board to be tested by ATE.



## FEATURES

- Superior Quality
- Rugged Resistance Weld
- Stainless Steel Cover
- Enable/Disable Option
- Surface Mount Option

## SPECIFICATIONS

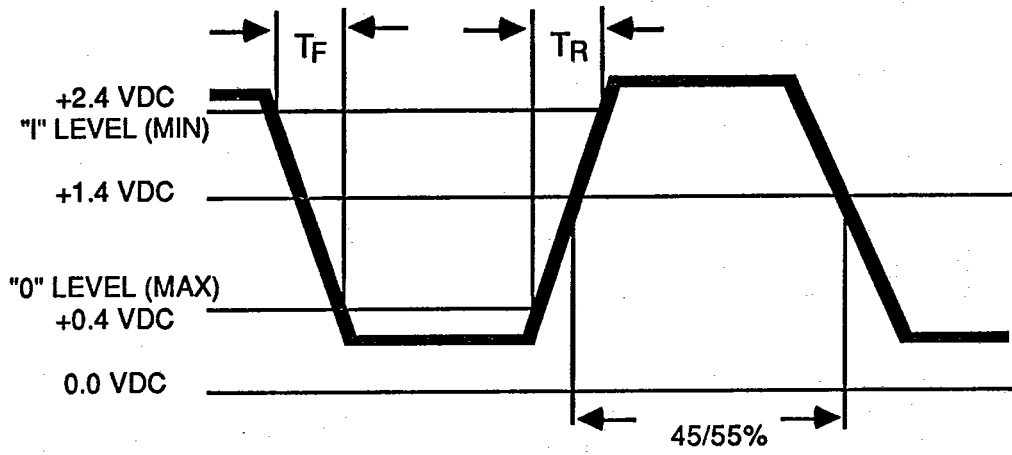
Frequency Range	4 MHz - 25 MHz
Frequency Stability *	±0.01%, ±0.005%
Operating Temperature Range	-10°C to +70°C
Input Voltage	+5 VDC ±10%
Input Current	20 mA (MAX)
TTL Output: Symmetry	45/55% (MAX)
Rise/Fall Time (0.4 V to 2.4 V)	10 nS (MAX)
Logic '0' Level - VOL	0.4 V (MAX)
Logic '1' Level - VOH	2.4 V (MIN)
Output Load	1 - 10 LS-TTL Gates
Enable Input	Enable = 2.0 V (MIN) Disable = .8 V (MAX)
Output Current	IOL = 4 mA (MIN) IOH = 0.2 mA (MAX)
Start-up	5 mS (MAX)
Shock	1000 G's, 0.35 Millisec, 1/2 Sine Wave, 3 Shocks each plane
Vibration	10-55 Hz, 0.060" D.A., 55-2000 Hz, 35 G's, Duration Time 12 Hours
Humidity	85% Relative Humidity, 85°C, 250 Hours
Hermetic Seal	Leak Rate less than 2x10 <sup>-8</sup> Atmos. CC/sec. of Helium

\* Inclusive of 25°C tolerance, operating temperature range, input voltage change, load change, aging, shock, and vibration. All specifications subject to change without notice.

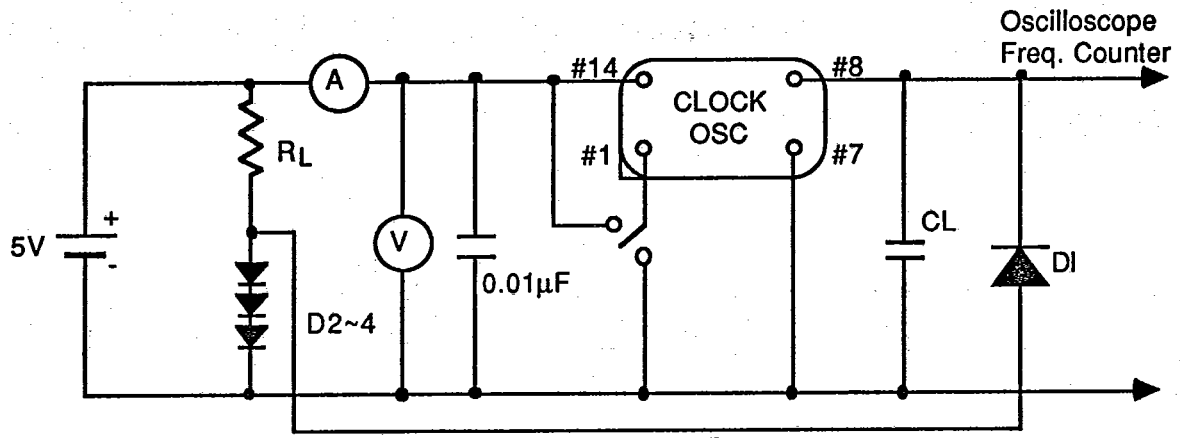
TTL OUTPUT WAVE FORM



11E D 3701922 0000257 4



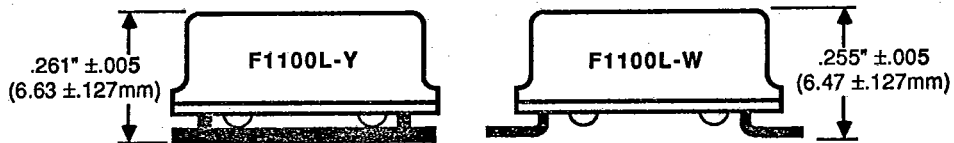
CLOCK OSCILLATOR TEST CIRCUIT



CL = 15 pF  
Includes probe & test jig

- D1-D4 SWITCHING DIODE
- CL 15 pF
- RL 2K Ω

SURFACE MOUNT CAPABILITY



All specifications subject to change without notice.