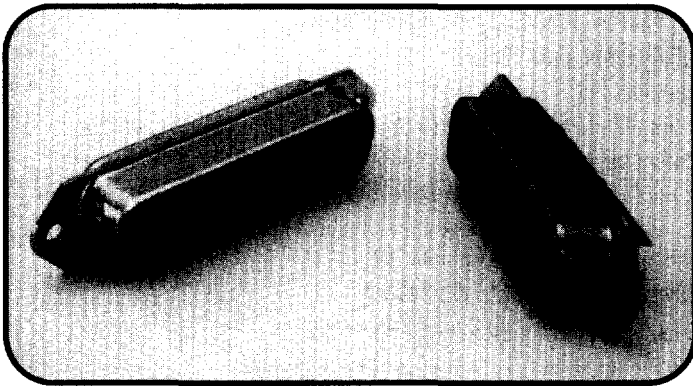


RIBBON CONNECTORS

**PCB Mount
Vertical Application**

MAXCONN



Performance Specifications

Materials and Finish

Shell: Steel, nickel finish

Insert: PBT thermoplastic, blue color, 30% glass filled, self-extinguishing, 94V-0 rated

Contact Material: Phosphor bronze

Contact Finish: Gold flash over nickel on entire contact area with additional 5 microinch gold on mating end of contact

Riveted Insert: Brass material, nickel finish

Mechanical Characteristics

Contact Retention: Precision formed contact 10 lbs

Contact Separation Force: 1.0 kg, minimum (total connector)

Contact Engagement Force: 2.7 kg, minimum (total connector)

Electrical Characteristics

Contact Current Rating: 5 Amps

Contact Resistance: Voltage drop at 5 amps shall be 8.5 millivolts maximum

Dielectric Withstanding Voltage: 1200 Vac minimum

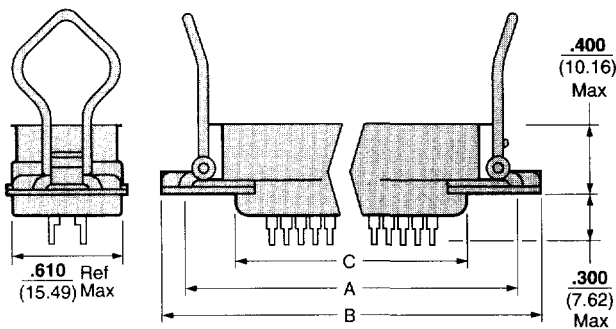
Insulation Resistance: 100 megohms minimum

Temperature Rating: -55° C to + 125° C

FEATURES

- Locking type Grounding brackets are available
- Two 4-40 jack screws assembled to connector without spring latches

DIMENSIONS — WITH SPRING LATCH



DIMENSIONS

Number of Contact Positions	A	B	C
14	1.417 35.99	1.750 44.45	0.910 23.11
24	1.842 46.79	2.175 55.25	1.335 33.91
36	2.352 59.74	2.685 68.20	1.845 46.86
50	2.947 74.85	3.280 83.31	2.440 61.98

HOW TO ORDER

Plugs/PC Contacts (0.156" tall)*

Contacts	Part Number
14	77-10140-10
24	77-10240-12
36	77-10360-25
50	77-10500-73

Receptacle/PC Contacts (0.156" tall) without Float Bushing**

14	77-20140-11
24	77-20240-23
36	77-20360-19
50	77-20500-85

Receptacle/PC contacts (0.156" tall) with Spring Latch

14	77-40140-13
24	77-40240-14
36	77-40360-24
50	77-40500-24

DIMENSIONS — WITHOUT SPRING LATCH

