



Miniature 400 Hz Transformers

5 VA to 150 VA

26V/115V Primary

Printed Circuit Plug-In Construction

Specifications

- Manufactured to MIL-PRF-27, Grade 5, Class S.
- 90° C Ambient.
- Input Primary 115v-400 Hz ± 20 Hz or 26V-400Hz- ± 20 Hz (Your Choice-Just Choose The Proper Part No.)
- Regulation is 8%
- Secondary Voltage Adjusted to Nominal Value at Half Load.

Miniature 400 Hz Transformers

Sec/ Volt	Sec/ Current ma	Model Number 26V Primary	PICO PRICE FOR 26V UNITS 1 - 9*	Model Number 115V Primary	PICO PRICE FOR 115V UNITS 1-9*
5.0 CT	1000	88015	119.70	88515	131.08
	3000	88115	119.70	88615	131.08
	5000	88215	131.08	88715	144.19
	7000	88315	137.04	88815	150.75
	10,000	88415	137.04	88915	150.75
	15,000	89015	148.96	89515	163.86
	30,000	89215	160.88	89715	176.96
	833	88020	119.70	88520	131.08
	2500	88120	119.70	88620	131.08

6.0 CT	4166	88220	131.08	88720	144.19
	5833	88320	137.04	88820	150.75
	8333	88420	137.04	88920	150.75
	12,500	89020	148.96	89520	163.86
	25,000	89220	160.88	89720	176.96
9.0 CT	555	88025	119.70	88525	131.08
	1666	88125	119.70	88625	131.08
	2777	88225	131.08	88725	144.19
	3888	88325	137.04	88825	150.75
	5555	88425	137.04	88925	150.75
	8330	89025	148.96	89525	163.86
	16,666	89225	160.88	89725	176.96
12 CT	417	88030	119.70	88530	131.08
	1250	88130	119.70	88630	131.08
	2083	88230	131.08	88730	144.19
	2917	88330	137.04	88830	150.75
	4166	88430	137.04	88930	150.78
	6250	89030	148.96	89530	163.86
	12,500	89230	160.88	89730	176.96
14 CT	357	88035	119.70	88535	131.08
	1071	88135	119.70	88635	131.08
	1786	88235	131.08	88735	144.19
	2500	88335	137.04	88835	150.75
	3571	88435	137.04	88935	150.75
	5350	89035	148.96	89535	163.86
	10,714	89235	160.88	89735	176.96
15 CT	333	88040	119.70	88540	131.08
	1000	88140	119.70	88640	131.08
	1667	88240	131.08	88740	144.19
	2333	88340	137.04	88840	150.75
	3333	88440	137.04	88940	150.75
	5000	89040	148.96	89540	163.86
	10,000	89240	160.88	89740	176.96
Sec/ Volt	Sec/ Current ma	Model Number 26V Primary	PICO PRICE FOR 26V UNITS 1 - 9*	Model Number 115V Primary	PICO PRICE FOR 115V UNITS 1 - 9*
22	227	88045	119.70	88545	131.08
	681	88145	119.70	88645	131.08
	1136	88245	131.08	88745	144.19
	1591	88345	137.04	88845	150.75

CT	2272	88445	137.04	88945	150.75
	3400	89045	148.96	89545	163.86
	6818	89245	160.88	89745	176.96
24 CT	208	88050	119.70	88550	131.08
	625	88150	119.70	88650	131.08
	1041	88250	131.08	88750	144.19
	1450	88350	137.04	88850	150.75
	2083	88450	137.04	88950	150.75
	3125	89050	148.96	89550	163.86
	6250	89250	160.88	89750	176.96
28 CT	178	88055	119.70	88555	131.08
	535	88155	119.70	88655	131.08
	892	88255	131.08	88755	144.19
	1250	88355	137.04	88855	150.75
	1786	88455	137.04	88955	150.75
	2678	89055	148.96	89555	163.86
	5357	89255	160.88	89755	176.96
36 CT	138	88060	119.70	88560	131.08
	416	88160	119.70	88660	131.08
	694	88260	131.08	88760	144.19
	972	88360	137.04	88860	150.75
	1389	88460	137.04	88960	150.75
	2083	89060	148.96	89560	163.86
	4166	89260	160.88	89760	176.96
48 CT	104	88065	119.70	88565	131.08
	312	88165	119.70	88665	131.08
	521	88265	131.08	88765	144.19
	729	88365	137.04	88865	150.75
	1043	88465	137.04	88965	150.75
	1562	89065	148.96	89565	163.86
	3125	89265	160.88	89765	176.96
75 CT	67	88070	119.70	88570	131.08
	200	88170	119.70	88670	131.08
	333	88270	131.08	88770	144.19
	467	88370	137.04	88870	150.75
	676	88470	137.04	88970	150.75
	1000	89070	148.96	89570	163.86
	2000	89270	160.88	89770	176.96
Sec/ Volt	Sec/ Current	Model Number 26V	PICO PRICE FOR 26V UNITS	Model Number 115V	PICO PRICE FOR 115V UNITS

	ma	Primary	1 - 9*	Primary	1 - 9*
100 CT	50	88075	119.70	88575	131.08
	150	88175	119.70	88675	131.08
	250	88275	131.08	88775	144.19
	350	88375	137.04	88875	150.75
	500	88475	137.04	88975	150.75
	750	89075	148.96	89575	163.86
	1500	89275	160.88	89775	176.96
110 CT	145	88080	119.70	88580	131.08
	1136	88180	119.70	88680	131.08
	227	88280	131.08	88780	144.19
	318	88380	137.04	88880	150.75
	454	88480	137.04	88980	150.75
	682	89080	148.96	89580	163.86
	1364	89280	160.88	89780	176.96
115 CT	43	88085	119.70	88585	131.08
	130	88185	119.70	88685	131.08
	217	88285	131.08	88785	144.19
	304	88385	137.04	88885	150.75
	434	88485	137.04	88985	150.75
	652	89085	148.96	89585	163.86
	1304	89285	160.88	89785	176.96

Features

- 400 Hz Aerospace Application.
- Smallest Possible Size.
- Printed Circuit Plug-In Construction.
- Secondary Has Split Winding (Secondary Can Be Used at Half Voltage Twice the Current.)

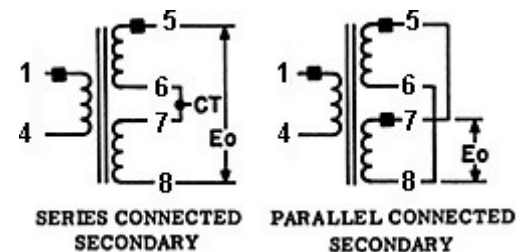


FIGURE 1

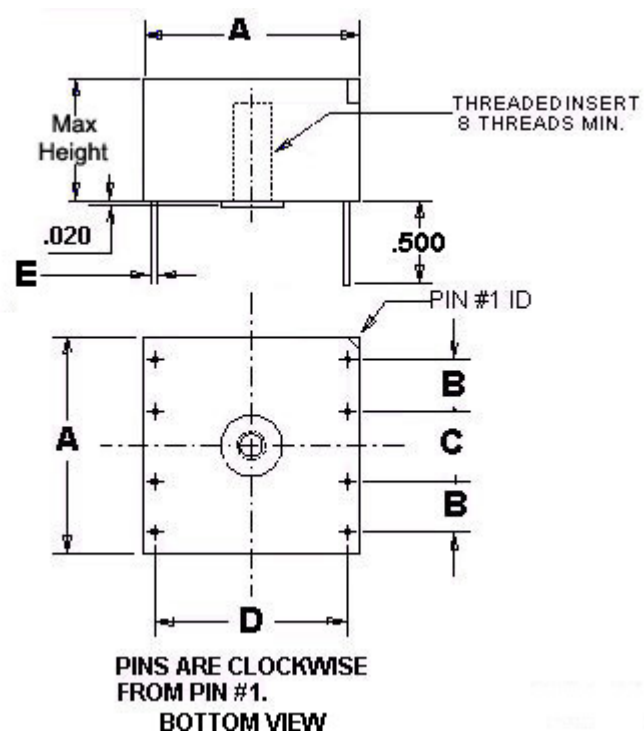
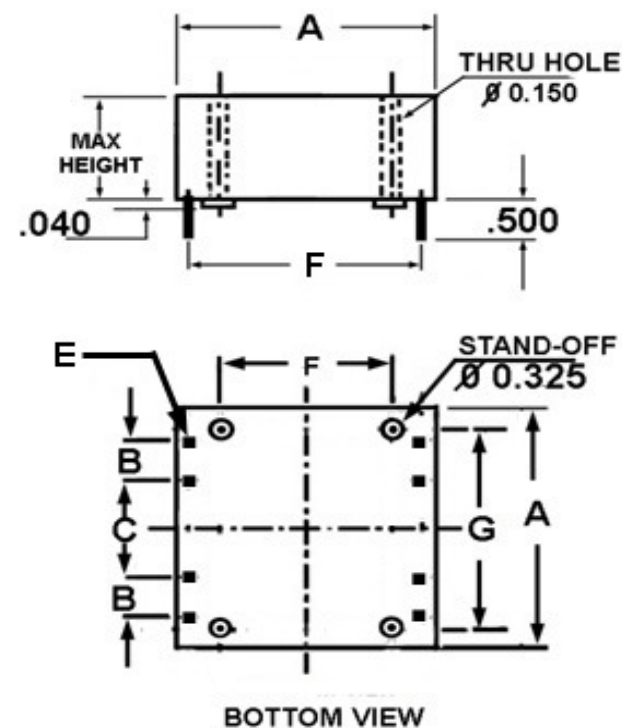


FIGURE 2



Series	Max Height	A	B	C	D	E	F	G	FIGURE	INSERT	WEIGHT
88000	.700	1.375	.300	.400	1.180	.040	-	-	1	6 - 32 UNC	52 grams
88500	(17.78)	(34.93)	(7.62)	(10.16)	(29.97)	(1.01)	-	-	1	6 - 32 UNC	52 grams
88100	.825	1.500	.300	.500	1.330	.040	-	-	1	6 - 32 UNC	65 grams
88600	(20.95)	(38.10)	(7.62)	(12.70)	(33.75)	(1.01)	-	-	1	6 - 32 UNC	65 grams
88200	.825	1.625	.300	.700	1.400	.040					

88700	(20.95)	(41.28)	(7.62)	(17.78)	(35.56)	(1.01)	-	-	1	6 - 32 UNC	100 grams
88300	.925	1.750	.300	.800	1.570	.040	-	-	1	6 - 32 UNC	145 grams
88800	(23.49)	(44.45)	(7.62)	(20.32)	(39.88)	(1.01)	-	-	1	6 - 32 UNC	145 grams
88400	1.025	2.000	.300	.900	1.800	.052	-	-	1	6 - 32 UNC	195 grams
88900	(26.03)	(50.80)	(7.62)	(22.86)	(45.72)	(1.32)	-	-	1	6 - 32 UNC	195 grams
89000	1.000	2.275	.300	1.250	2.000	.052	1.450	1.850	2	-	252 Grams
89500	(25.40)	(57.78)	(7.62)	(31.75)	(50.60)	(1.32)	(36.83)	(47.00)	2	-	252 Grams
89200	1.300	3.000	.500	1.200	2.700	.080	2.000	2.500	2	-	525 Grams
89700	(33.02)	(76.20)	(12.70)	(30.48)	(68.58)	(2.03)	(50.80)	(63.50)	2	-	525 Grams
Measurements are in inches - () = mm											

[Click Here For Surface Mount Version of these Units](#)

*Discount Prices:

1-9 Net;
 10-24 less 10%;
 25-49 less 16%;
 50-99 less 23%;
 100-499 less 30%

Delivery - stock to one week for sample orders.

Ordering Instructions:

No minimum.
 Net 30 days F.O.B. Pelham, NY

For immediate engineering assistance or to place an order:

Call Toll Free: 800-431-1064

PICO Electronics, Inc.

143 Sparks Ave. Pelham, NY 10803-1837
 Tel: 914-738-1400 or Fax: 914-738-8225

[Go back to Surface Mount Transformers and Inductors menu](#)