

MAX solutions

Mill-Max USB Connectors



Standard USB Features

- USB receptacles for thru-hole & SMT.
- Plug retention tabs.
- Kinked locating legs for secure PCB retention.
- Fully compatible with USB 1.0 & 2.0 specifications.
- Passes 16MHz Signal Attenuation per ASTM-D-4566.
- Packaged in trays, 150 pieces per tray.

Mini USB Features

- Mini USB receptacles for surface mount.
- 5 Pin (one ID Pin), 0.8mm pitch, mini USB connector.
- Reduced mounting space.
- Fully compliant with current USB 2.0 specifications.
- Smaller and lighter than existing USB connectors for portable and handheld devices.
- Packaged on Tape & Reel -- 700 parts per reel.

For more information, visit www.mill-max.com/PR589.

(6/09 -- 589)

Mill-Max Mfg. Corp. • 190 Pine Hollow Road, Oyster Bay, NY 11771-0300
516-922-6000 • Fax: 516-922-9253 • www.mill-max.com



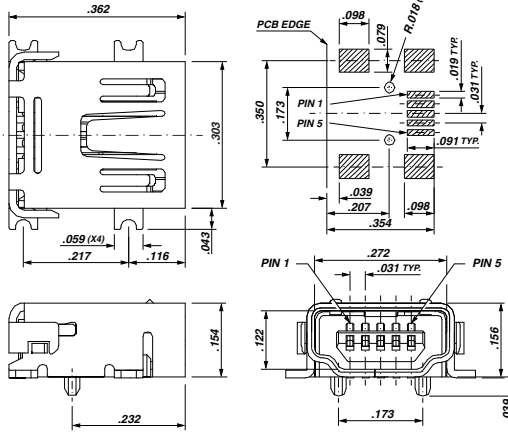


Fig. 1

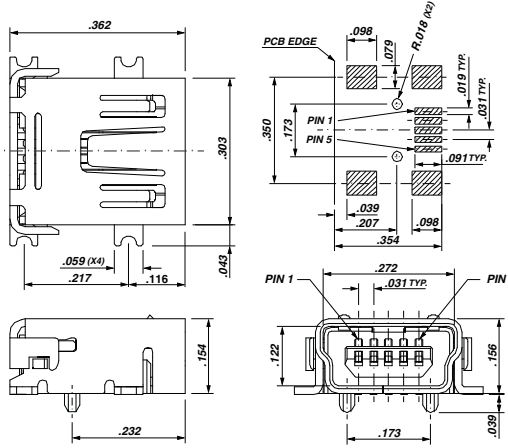
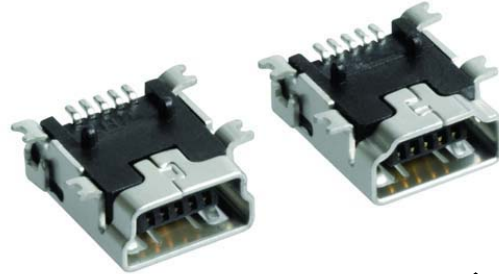


Fig. 2



Features

- Mini USB receptacles for surface mount.
- 5 Pin (one ID Pin), 0.8mm pitch, mini USB connector.
- Reduced mounting space.
- Fully Shielded.
- Fully compliant with current USB 2.0 specifications.
- Smaller and lighter than existing USB connectors for portable and handheld devices.
- Packaged on Tape & Reel - 700 parts per reel.

Ordering Information:

Figure 1: Mini Type A Recep., Single, Surface Mount

896-43-005-00-100001

Figure 2: Mini Type B Recep., Single, Surface Mount

897-43-005-00-100001

Specifications

Materials:

- Terminals: Copper Alloy, Tin Plated
- Contacts: Copper Alloy, 30 μ" Gold Plated
- Casing & Shield: Stainless Steel
- Insulator material: High temp. thermoplastic rated UL94V-0

Ratings:

- Voltage: 30VAC (rms)
- Current: 1A max. per contact for 30°C temperature rise
- All housing materials rated for "lead-free" soldering up to 260°C

Electrical:

- Contact resistance: 50mΩ max.
- Insulation resistance: 100MΩ min.
- Dielectric withstanding voltage: 100VAC at sea level
- Capacitance: 2pF max.

Mechanical:

- Random vibration: No discontinuity >1μs per EIA 364-28, cond. V, letter A
- Physical shock: No discontinuity >1μs per EIA 364-27, condition H
- Durability: 5000 cycles min. per EIA 364-09
- Mating force: 35 Newtons max. per EIA 364-13
- Unmating force: Initial - 7 Newtons min. per EIA 364-13
After test - 3 Newtons min. per EIA 364-13
- Cable Pull-out force per EIA 364-38

Environmental:

- Thermal shock per EIA 364-32, condition I
- Humidity per EIA 364-31, method III, condition A
- Temperature life per EIA 364-17, condition 3, method A
- Solderability per EIA 364-52, category 2

Applications:

- Cell phones
- Digital still cameras
- Digital video cameras
- PDAs
- MP3 Players
- Other portable and hand-held devices

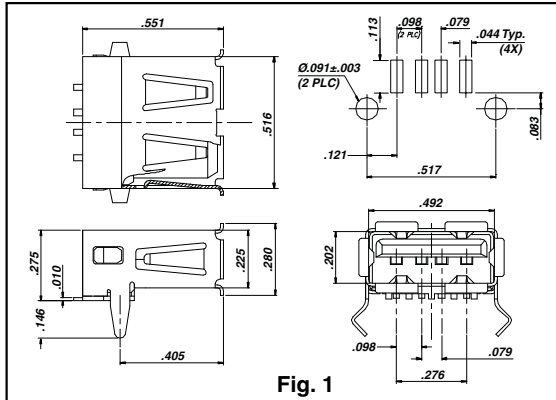


Fig. 1

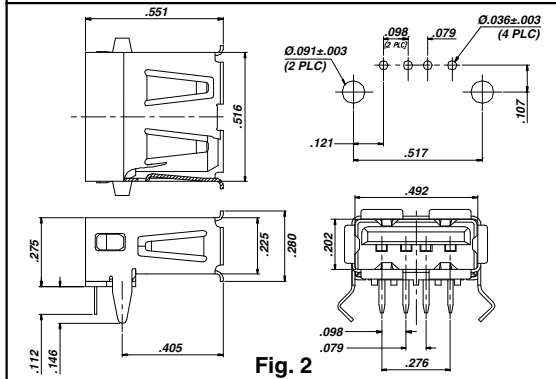


Fig. 2

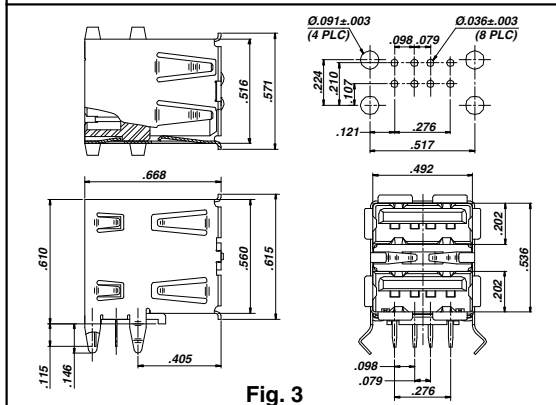


Fig. 3

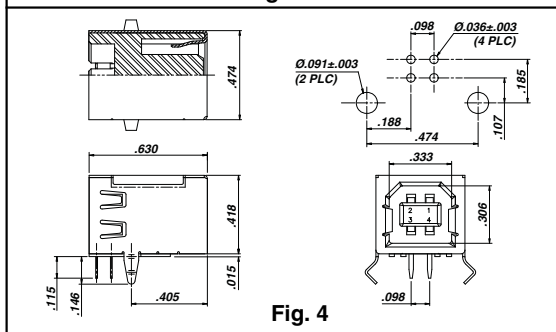


Fig. 4



Features

- USB receptacles for through-hole & surface mount.
- Plug retention tabs.
- Kinked locating legs for secure PCB retention.
- Fully Shielded.
- Fully compatible with USB 1.0 & 2.0 specifications.
- Passes 16MHz Signal Attenuation per ASTM-D-4566.
- Packaged in trays, 150 pieces per tray.

Ordering Information

Figure 1: Type A Receptacle, Single, Surface Mount
896-43-004-00-000000

Figure 2: Type A Receptacle, Single, Through Hole
896-43-004-90-000000

Figure 3: Type A Receptacle, Double, Through Hole
896-43-008-90-000000

Figure 4: Type B Receptacle, Single, Through Hole
897-43-004-90-000000

Specifications

Materials:

Terminals: Copper Alloy, Tin Plated
Contacts: Copper Alloy, 30 μm Gold Plated
Casing & Shield: Stainless Steel
Insulator material: High temp. thermoplastic rated UL94V-0

Ratings:

Voltage: 30VAC (rms)
Current: 1A max. per contact for 30°C temperature rise
All housing materials rated for "lead-free" soldering up to 260°C

Electrical:

Contact resistance: 30mΩ max.
Insulation resistance: 1000MΩ min.
Dielectric withstanding voltage: 750VAC at sea level
Capacitance: 2pF max.

Mechanical:

Random vibration: No discontinuity >1μs per EIA 364-28, cond. V, letter A
Physical shock: No discontinuity >1μs per EIA 364-27, condition H
Durability: 1500 cycles min. per EIA 364-09
Mating force: 35 Newtons max. per EIA 364-13
Unmating force: 10 Newtons min. per EIA 364-13

Environmental:

Thermal shock per EIA 364-32, condition I
Humidity per EIA 364-31, method II, condition A
Temperature life per EIA 364-17, condition 3, method A