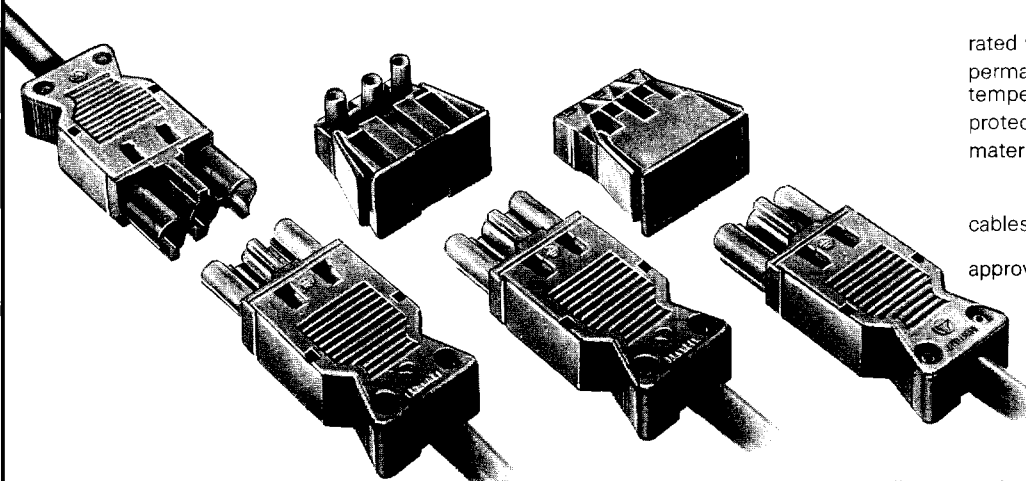


Plug type compact connector ready-made with cable

ST 18/3poles



rated voltage: 250 V~
 permanent temperature: 110 °C male/female part,
 70 °C cable
 protection: IP20 as per DIN 40050
 materials: insulating parts thermoplastics,
 contact parts: brass plated with
 surface treatment
 cables: H 05 VV – F 3 G 1,5/2,5

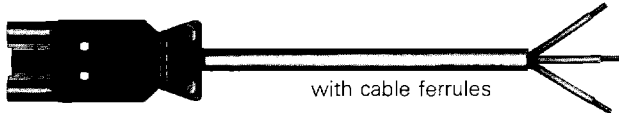
approvals



**female/male
part**

| lengths | 1.5 mm ² /black | 1.5 mm ² /white | 2.5 mm ² /black | 2.5 mm ² /white |
|---------|----------------------------|----------------------------|----------------------------|----------------------------|
| 0.5 m | 94.732.0500.1 | 94.732.0500.2 | 94.733.0500.1 | 94.733.0500.2 |
| 1.0 m | 94.732.1000.1 | 94.732.1000.2 | 94.733.1000.1 | 94.733.1000.2 |
| 1.5 m | 94.732.1500.1 | 94.732.1500.2 | 94.733.1500.1 | 94.733.1500.2 |
| 2.0 m | 94.732.2000.1 | 94.732.2000.2 | 94.733.2000.1 | 94.733.2000.2 |
| 2.5 m | 94.732.2500.1 | 94.732.2500.2 | 94.733.2500.1 | 94.733.2500.2 |
| 3.0 m | 94.732.3000.1 | 94.732.3000.2 | 94.733.3000.1 | 94.733.3000.2 |
| 3.5 m | 94.732.3500.1 | 94.732.3500.2 | 94.733.3500.1 | 94.733.3500.2 |
| 4.0 m | 94.732.4000.1 | 94.732.4000.2 | 94.733.4000.1 | 94.733.4000.2 |

cable end 35 mm
insulating length 7 mm

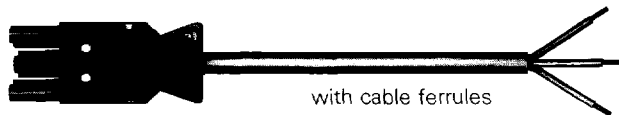


female part/-

with cable ferrules

| | | | | |
|-------|---------------|---------------|---------------|---------------|
| 0.5 m | 94.732.0503.1 | 94.732.0503.2 | 94.733.0503.1 | 94.733.0503.2 |
| 1.0 m | 94.732.1003.1 | 94.732.1003.2 | 94.733.1003.1 | 94.733.1003.2 |
| 1.5 m | 94.732.1503.1 | 94.732.1503.2 | 94.733.1503.1 | 94.733.1503.2 |
| 2.0 m | 94.732.2003.1 | 94.732.2003.2 | 94.733.2003.1 | 94.733.2003.2 |
| 2.5 m | 94.732.2503.1 | 94.732.2503.2 | 94.733.2503.1 | 94.733.2503.2 |
| 3.0 m | 94.732.3003.1 | 94.732.3003.2 | 94.733.3003.1 | 94.733.3003.2 |
| 3.5 m | 94.732.3503.1 | 94.732.3503.2 | 94.733.3503.1 | 94.733.3503.2 |
| 4.0 m | 94.732.4003.1 | 94.732.4003.2 | 94.733.4003.1 | 94.733.4003.2 |

cable end 35 mm
insulating length 7 mm



male part/-

with cable ferrules

| | | | | |
|-------|---------------|---------------|---------------|---------------|
| 0.5 m | 94.732.0504.1 | 94.732.0504.2 | 94.733.0504.1 | 94.733.0504.2 |
| 1.0 m | 94.732.1004.1 | 94.732.1004.2 | 94.733.1004.1 | 94.733.1004.2 |
| 1.5 m | 94.732.1504.1 | 94.732.1504.2 | 94.733.1504.1 | 94.733.1504.2 |
| 2.0 m | 94.732.2004.1 | 94.732.2004.2 | 94.733.2004.1 | 94.733.2004.2 |
| 2.5 m | 94.732.2504.1 | 94.732.2504.2 | 94.733.2504.1 | 94.733.2504.2 |
| 3.0 m | 94.732.3004.1 | 94.732.3004.2 | 94.733.3004.1 | 94.733.3004.2 |
| 3.5 m | 94.732.3504.1 | 94.732.3504.2 | 94.733.3504.1 | 94.733.3504.2 |
| 4.0 m | 94.732.4004.1 | 94.732.4004.2 | 94.733.4004.1 | 94.733.4004.2 |

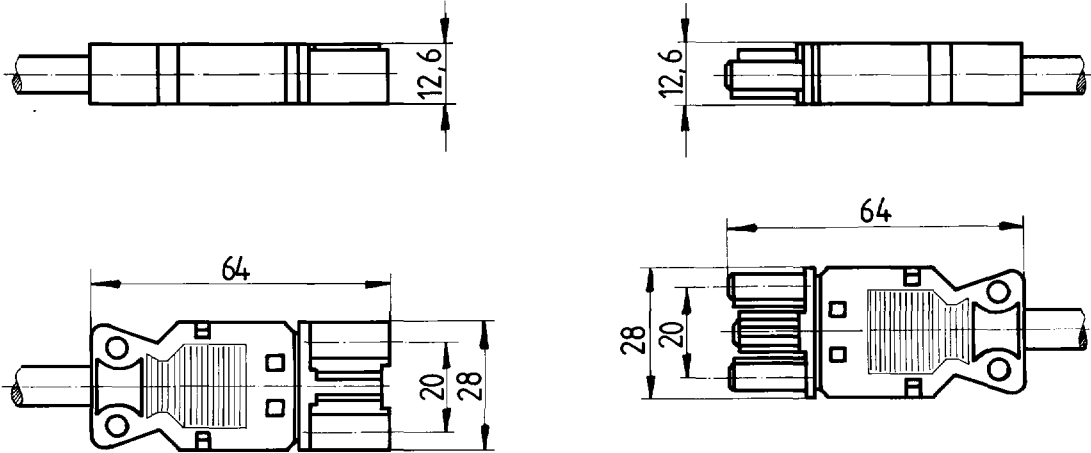


**female part/
angle type
DIN 49441**

| | | | | |
|-------|---------------|---------------|---------------|---------------|
| 1.5 m | 94.732.1507.1 | 94.732.1507.2 | 94.733.1507.1 | 94.733.1507.2 |
| 2.0 m | 94.732.2007.1 | 94.732.2007.2 | 94.733.2007.1 | 94.733.2007.2 |
| 2.5 m | 94.732.2507.1 | 94.732.2507.2 | 94.733.2507.1 | 94.733.2507.2 |

¹⁾ Available only with screw-mounted 2-pole angled plug with 2 protective ground contact systems as per DIN 49441 Form R2/CEE 7 Standard sheet VII

250 V~, 16 A



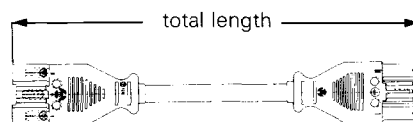
We deliver the ready-made plug connector ST 18/3 with cable lengths from 0.5 m to 4 m (in steps of 0.5 m) pre-mounted.

The tolerance in cable lengths is $\pm 3\%$. Intermediate and over-lengths are available upon request.

**Minimum order per cable length:
50 pcs**

The cables are available with cross-sections of 1.5 mm².

Male/female parts with similar coding are available in black and in white.



ST 18/3