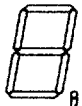
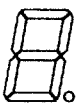
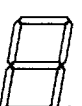


LED DISPLAY

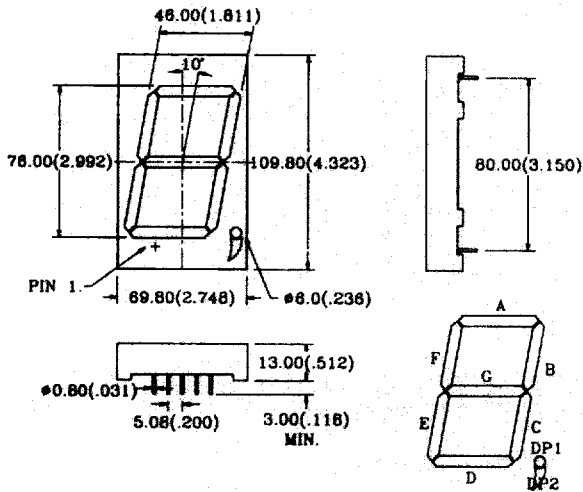
BIGGER SIZE SINGLE COLOR LED DISPLAYS

Digit Size	Part No.	Chip			Absolute Maximum Ratings				Electro-optical Data(At 10mA)			Drawing No.
		Common Anode	Common Cathode	Emitted Color	Peak Wave Length λ_p (nm)	$\Delta\lambda$ (nm)	Pd(mW)	If(mA)	Peak If(mA)	Vf(V)		
										Typ.	Max.	
	BS-AF01RD	BS-CF01RD	Red	655	40	960	40	200	9.6	12.0	8.5	SD-17
	BS-AF05RD	BS-CF05RD	Bright Red	700	90	450	15	50	12.6	15.0	10.0	
	BS-AF05RE	BS-CF05RE										
	BS-AF02RD	BS-CF02RD	Green	568	30	900	30	150	12.6	15.0	14.0	
	BS-AF03RD	BS-CF03RD	Yellow	585	35	900	30	150	12.0	15.0	12.0	
	BS-AF04RD	BS-CF04RD	Hi-Eff Red	635	45	900	30	150	11.5	15.0	13.0	
			Orange									
BS-AF06RD	BS-CF06RD	Super Red	660	20	600	20	150	10.2	15.0	22.0		
	BS-AE01RD	BS-CE01RD	Red	655	40	800	40	200	8.0	10.0	8.0	SD-18
	BS-AE05RD	BS-CE05RD	Bright Red	700	90	370	15	50	10.5	12.5	9.0	
	BS-AE05RE	BS-CE05RE										
	BS-AE02RD	BS-CE02RD	Green	568	30	750	30	150	10.5	12.5	13.0	
	BS-AE03RD	BS-CE03RD	Yellow	585	35	750	30	150	10.0	12.5	10.0	
	BS-AE04RD	BS-CE04RD	Hi-Eff Red	635	45	750	30	150	9.5	12.5	12.0	
			Orange									
	BS-AE06RD	BS-CE06RD	Super Red	660	20	500	20	150	8.0	12.5	20.0	
	BS-AE11RD	BS-CE11RD	Red	655	40	640	40	200	6.5	8.0	12.0	SD-19
	BS-AE15RD	BS-CE15RD	Bright Red	700	90	300	15	50	8.5	10.0	14.0	
	BS-AE15RE	BS-CE15RE										
	BS-AE12RD	BS-CE12RD	Green	568	30	600	30	150	8.5	10.0	18.0	
	BS-AE13RD	BS-CE13RD	Yellow	585	35	600	30	150	8.0	10.0	15.0	
BS-AE14RD	BS-CE14RD	Hi-Eff Red	635	45	600	30	150	7.5	10.0	16.0		
		Orange										
BS-AE16RD	BS-CE16RD	Super Red	660	20	400	20	150	6.8	10.0	26.0		
	BS-AG01RD	BS-CG01RD	Red	655	40	1600	40	200	16.0	20.0	15.0	SD-20
	BS-AG05RD	BS-CG05RD	Bright Red	700	90	750	15	50	21.0	25.0	18.0	
	BS-AG05RE	BS-CG05RE										
	BS-AG02RD	BS-CG02RD	Green	568	30	1500	30	150	21.0	25.0	25.0	
	BS-AG03RD	BS-CG03RD	Yellow	585	35	1500	30	150	20.0	25.0	20.0	
	BS-AG04RD	BS-CG04RD	Hi-Eff Red	635	45	1500	30	150	19.0	25.0	22.0	
			Orange									
BS-AG06RD	BS-CG06RD	Super Red	660	20	1000	20	150	17.0	25.0	30.0		

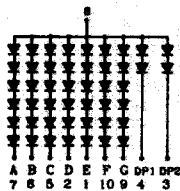
Remark: - The average luminous intensity is obtained by summing the luminous intensity of each segment and dividing by total number of segments.
 - Above part numbers are all with black surface and white segment. For part numbers with other surface and segment color combinations, please check the selection guide(part number system).

LED DISPLAY

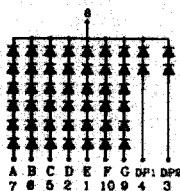
SD-17 BS-A_CF0xxx Series



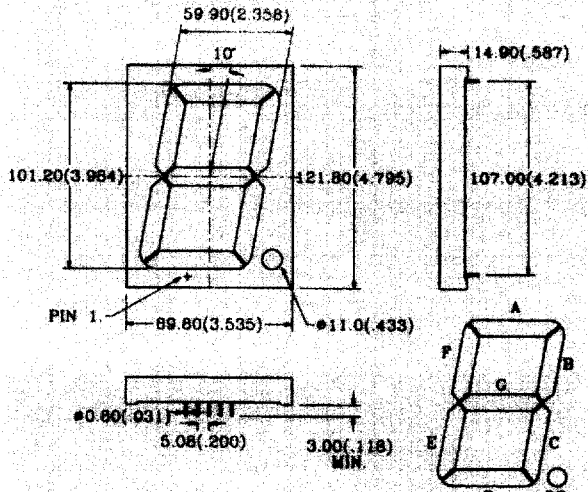
BS-AF0xxx



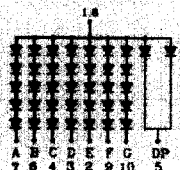
BS-CF0xxx



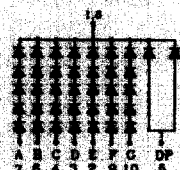
SD-18 BS-A_CE0xxx Series



BS-AE0xxx



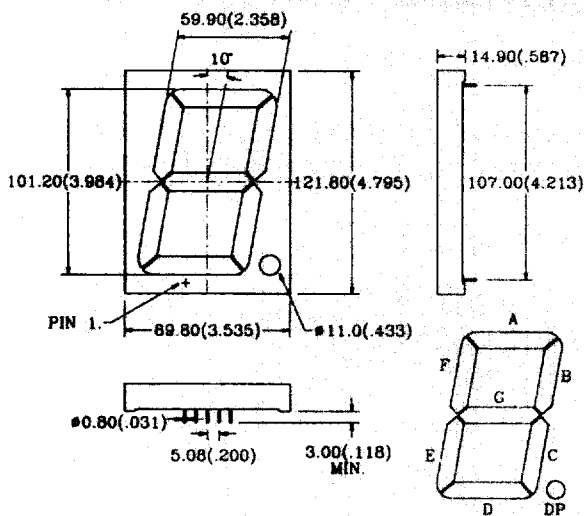
BS-CE0xxx



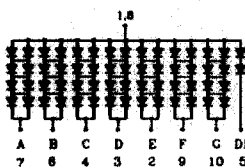
PACKAGE DIMENSIONS

- NOTES
1. All Dimensions are in millimeters (inches).
 2. Tolerance is $\pm 0.25\text{mm}$ ($.010''$) unless otherwise specified.
 3. Specifications are subject to change without notice.
 4. NP: No Pin
 5. NC: No Connect

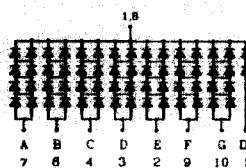
SD-19 BS-A_CE1xxx Series



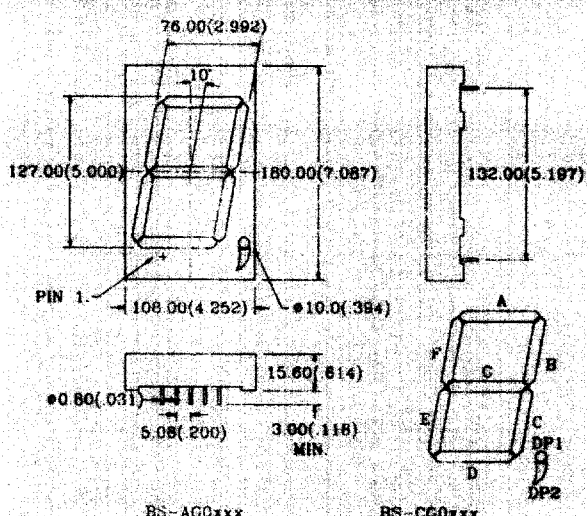
BS-AE1xxx



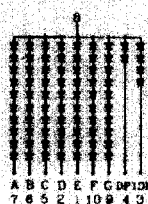
BS-CE1xxx



SD-20 BS-A_CG0xxx Series



BS-AG0xxx



BS-CG0xxx

