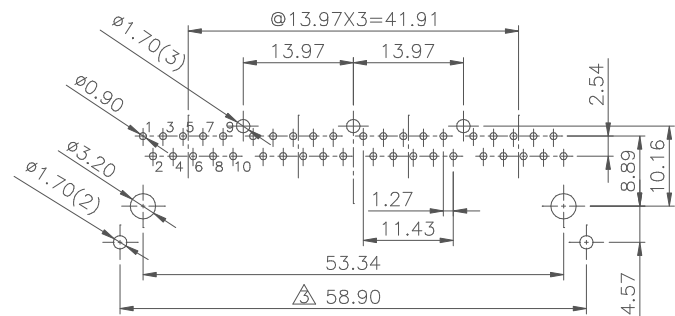
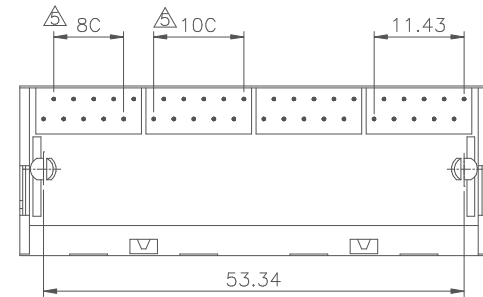
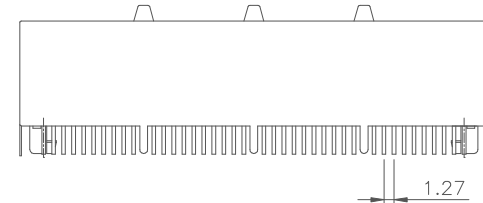
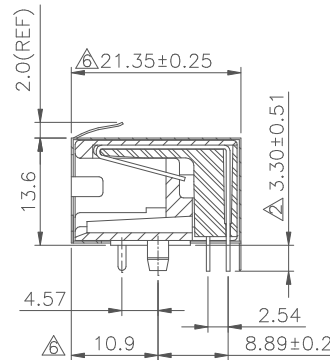
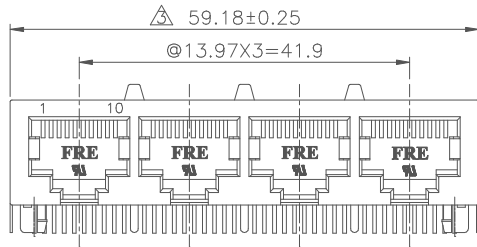


REVISION RECORD				
REV	ECO	DESCRIPTION	DRFT	CHKD
△		MODIFY NOTE	BASS 2/17/98	
△		3.30±0.51 was 2.80±0.51	BASS 4/10/98	
△		MODIFY DIMENSION	Lien 12/04/99	
△		ADD P/N OPTION	CHI 2/12/01	
△		ADD P/N OPTION	CHI 3/9/01	
△		MODIFY DIMENSION	CHI 11/26/02	



PC Board Thickness=1.60mm
PC Board Layout Component Side Shown

NOTES:

ELECTRICAL:

- VOLTAGE RATING : 125 VAC RMS.
- CURRENT RATING : 1.5 AMP.
- CONTACT RESISTANCE : 35 MILLIOHMS MAX.
- INSULATION RESISTANCE: 1000 MEGOHMS MIN @ 500 VDC.
- DIELECTRIC STRENGTH : 1000 VAC RMS 60Hz, 1MIN.

MECHANICAL:

- HOUSING MATERIAL : GLASS FILLED POLYESTER UL94V-0.
- CONTACT MATERIAL : PHOSPHOR BRONZE Ø0.46mm.
- PLATING : GOLD PLATING OVER NICKEL.
- OPERATING LIFE : 750 CYCLES MIN.
- PCB RETENTION PRE-SOLDER : 1 LB MIN.
- PCB RETENTION POST-SOLDER: 10 LBS MIN.

ENVIRONMENTAL:

- STORAGE : -40°C TO +85°C.
- OPERATION: 0°C TO 70°C.

MATES WITH MODULAR PLUG CONFORMING TO
FCC PART 68, SUBPART F.

UL & CUL FILE NO. E163191

PART NUMBER: E590X-2XCX2X



DETACHED LISTS	← MM (INCH) →	DFTO BASS	DATE 9/12/98
	TOLERANCES EXCEPT AS NOTED	CHKD	DATE
	MM	MFO	DATE
	.0 ±0.2	APPLV	DATE
	.00 ±0.15	MATERIAL :	
.000 ±0.075	ANGLES ± 0.5		
THIRD ANGLE PROJECTION	QT'Y :	FINISH :	
	SCALE : 1.5 : 1	DO NOT SCALE DRAWING	

FULL RISE ELECTRONIC CO., LTD

TITLE			
20.57 PCB JACK 10P			
DRAWING NO. 5-0178-4		SIZE A3	REV 6
/PART NO. SEE NOTE			
SHEET 1		OF 1	