

| REVISION RECORD | | | | |
|-----------------|-----|-------------|------|------|
| REV | ECO | DESCRIPTION | DRFT | CHKD |
| | | | | |

NOTES:

1. RJ45 10/100 Base-Tx Transformer Jack With Transformer/ Impedance Resistor/High Voltage Capacitor.
2. Size Same As RJ-45 Modular Jack To Save PCB Board Space.
3. Reduce EMI Radiation, Improve EMI Performance.
4. Designed For Network Interface Card Application.
5. Designed To Meet IEEE 802.3u Requirement.
6. Designed For 100 Base Transmission over UTP-5 Cable.
7. Operation Temperature Range: -40°C To +85°C

Electrical Specification:

1. Inductance At 100 KHZ, 100 mV,8mA DC Bias: 350 uH MIN
2. C W/W (PF MAX): 40 PF
3. Leakage Inductance At 100 KHZ DC 100 mV: 0.3 uH MAX
4. Insertion Loss: 0.6 dB MAX @ 1-60 MHZ
1.1 dB MAX @ 60-100 MHZ
5. Return Loss: 18 dB MIN @ 1-60 MHZ
15 dB MIN @ 60-80 MHZ
12 dB MIN @ 80-100 MHZ
35 dB MIN @ 1-80 MHZ
6. Cross Talk:
7. ISOLATION VOLTAGE @60HZ:1500Vrms(INPUT TO OUTPUT) 60SEC

Mechanical:

1. Housing Material : Glass Filled Polyester UL94V-0 OR FR52.
2. Contact Mateial : Phosphor Bronze t=0.35mm.
3. Plating : 1: Contact Area- Selective Gold Plating.
2: Tails-Tin-Lead Over Nickel OR Lead Free.
4. Operating Life : 750 Cycles Min.
5. Pcb Retention Pre-Solder : 1 Lb Min.
6. Pcb Retention Post-Solder : 10 Lbs Min.
7. Shiled Material : 0.25mm Thickness Brass(C2680 H) Shield Plated Nickel 50u"

Environmental:

1. Storage : -40°C To+85°C.
- Mates With Modular Plug Conforming To Fcc Part 68, Subpart F.

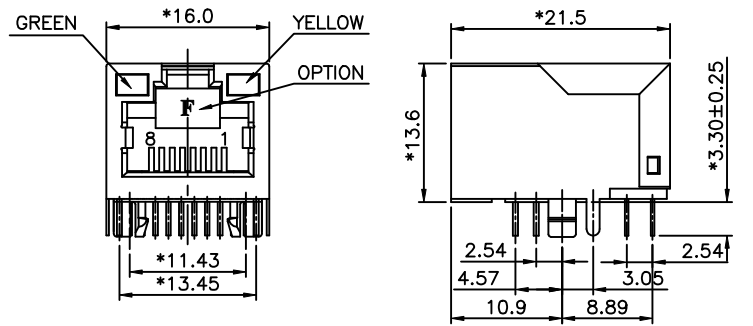
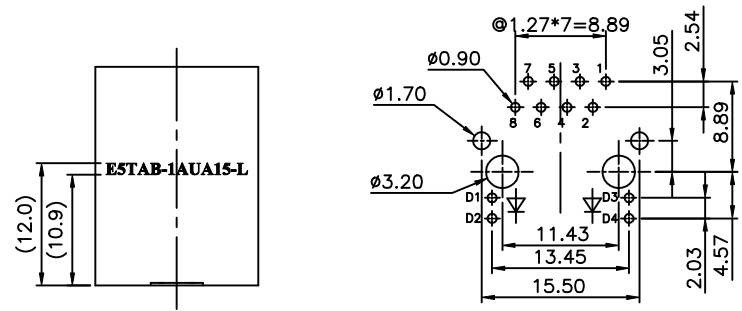
(W/TIN)Part Number: E5TAB-14YFXX

Gold Plating:
1-3u" 2-6u"
3-15u" 4-30u" 5-50u"
0-W/O LOGO
1-W/"F" LOGO

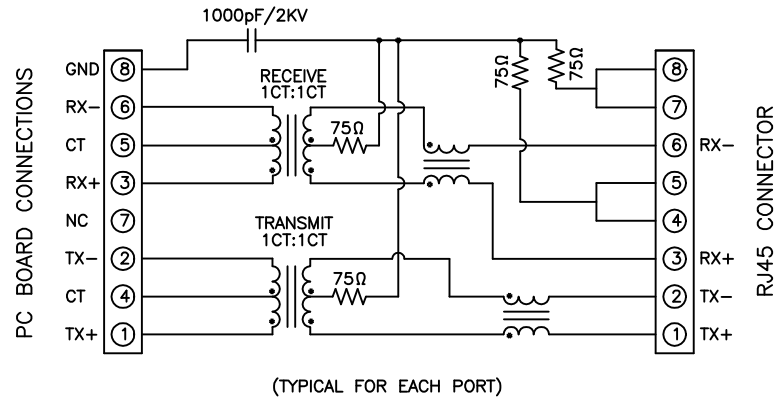
(LEAD FREE)Part Number: E5TAB-XXUAXX-L

16-W/O TAB
1A-W/O TAB AND P/N CODE

Gold Plating:
1-3u" 2-6u"
3-15u" 4-30u" 5-50u"
0-W/O LOGO
1-W/"F" LOGO



Schematic:



| | | | | | |
|------------------------|----------------------------|-------------|----------------|-------------------------------|-------|
| DETACHED LISTS | MM (INCH) | DFTO SUNLL | DATE 06/15/04 | FULL RISE ELECTRONIC CO., LTD | |
| | TOLERANCES EXCEPT AS NOTED | CHKD 9W | DATE 2006/1/28 | | |
| | MM | MFO | DATE | | |
| | .0 ±0.20 | APPLUSHING | DATE 2006/1/28 | | |
| .00 ±0.15 | | MATERIAL : | | TITLE | |
| .000 ±0.075 | | | | Transformer LED JACK | |
| ANGLES ± | | QT*Y : | | DRAWING NO. GE5T3256 | |
| THIRD ANGLE PROJECTION | | FINISH : | | /PART NO. SEE NOTE | |
| | | SCALE : 2:1 | | DO NOT SCALE DRAWING | |
| | | | | SIZE A3 | REV 0 |
| | | | | 01/28/05 | |
| | | | | SHEET 1 OF 1 | |