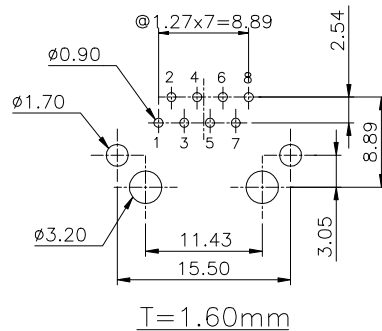
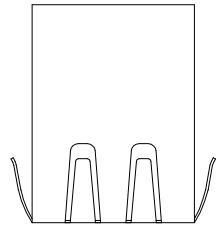
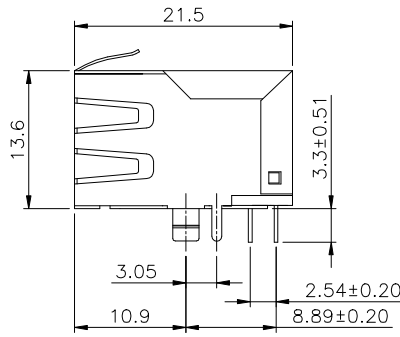
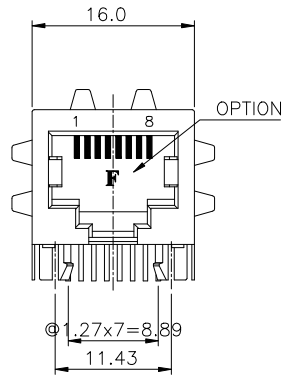


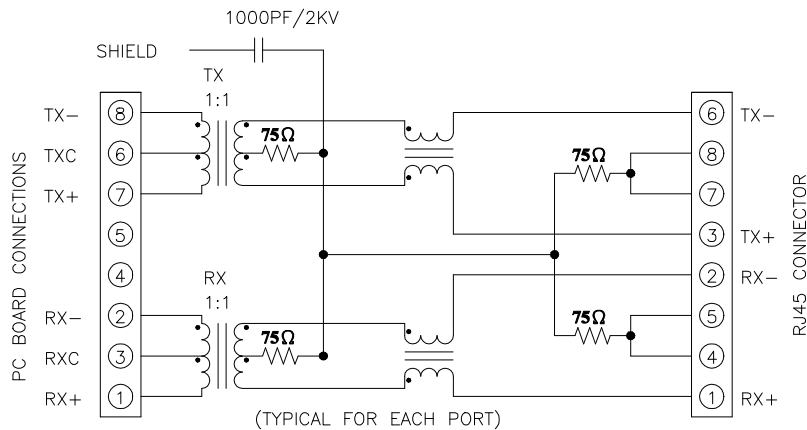
REVISION RECORD				
REV	ECO	DESCRIPTION	DRFT	CHKD



T=1.60mm
PC Board Layout
Component Side Shown



Schematic:



NOTES:

Characteristics Description:

1. RJ45 10/100 Base-Tx Transformer Jack With Transformer/ Impedance Resistor/High Voltage Capacitor.
2. Size Same As RJ-45 Modular Jack To Save PCB Board Space.
3. Reduce EMI Radiation, Improve EMI Performance.
4. Designed For Network Interface Card Application.
5. Designed To Meet IEEE 802.3u Requirement.
6. Designed For 100 Base Transmission over UTP-5 Cable.
7. Operation Temperature Range: 0°C To 70°C

Electrical Specification:

1. Inductance At 100 KHZ, 100 mV DC Bias: 350 uH MIN
2. C W/W (PF MAX): 28 PF
3. Leakage Inductance At 100 KHZ DC 100 mV: 0.3 uH MAX
4. Insertion Loss: -1.0 dB MAX @ 1-80 MHZ
-1.2 dB MAX @ 100 MHZ
5. Return Loss: -14 dB MIN @ 1-60 MHZ
-10 dB MIN @ 60-100 MHZ
6. Cross Talk: -35 dB MIN @ 1-80 MHZ

Mechanical:

1. Housing Material : HIGH TEMP (FR52) UL94V-0
2. Contact Mateial : Phosphor Bronze t=0.35mm.
3. Plating : 1: Contact Area- Selection Gold Plating.
2: Tails- Tin Over Nickel.
LEAD FREE
4. Operating Life : 750 Cycles Min.
5. Pcb Retention Pre-Solder : 1 Lb Min.
6. Pcb Retention Post-Solder : 10 Lbs Min.

Environmental:

1. Storage : -40°C To+85°C.
- Mates With Modular Plug Conforming To
Fcc Part 68, Subpart F.
Part Number: E5TAB-G40UXX-L

1- 3u" 2- 6u" 3-15u"
4-30u" 5-50u"
0- W/O LOGO
1- W/ F LOGO

DETACHED LISTS	← MM (INCH) →	DFTO SHJ	DATE 07/19/04'	FULL RISE ELECTRONIC CO., LTD	
	TOLERANCES EXCEPT AS NOTED	CHKD QIANPU	DATE 2004/9/23		
	MM	WFO	DATE	TITLE Transformer Jackk 1x1	
	.0 ±0.20 ±	APPVL PETER	DATE 2004/9/23		
.00 ±0.15 ±	MATERIAL :		DRAWING NO. GE5T3150		
.000 ±0.075 ±	ANGLES ±		/PART NO. SEE NOTE		
THIRD ANGLE PROJECTION	FINISH :		SCALE : 2:1		
DO NOT SCALE DRAWING			SHEET 1	OF 1	