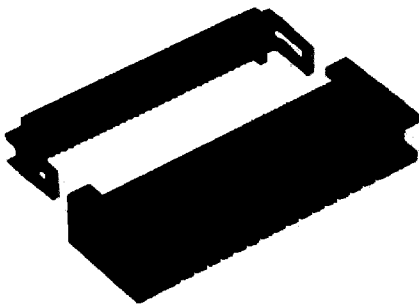
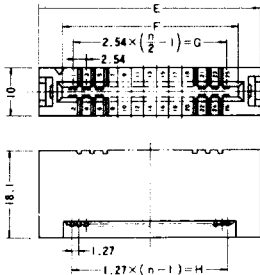


CARD EDGE TYPE CONNECTOR

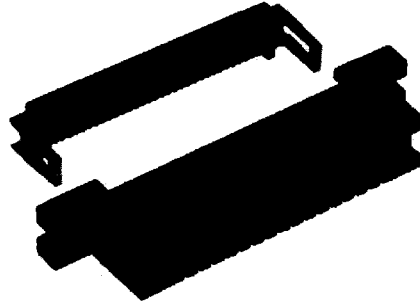
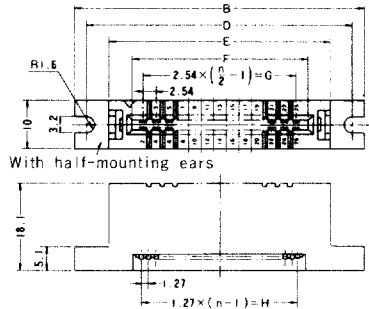
● Features

- 1) Applicable to 1.6-mm-thick PC-boards with 2.54 mm spacings.
- 2) The twin contact used between the PC-board and the contacts ensures highly reliable connection.

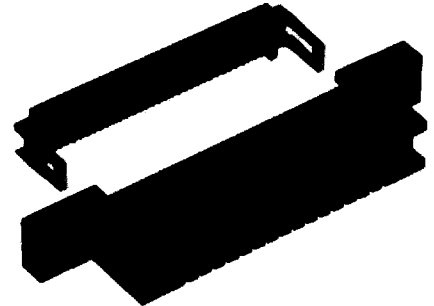
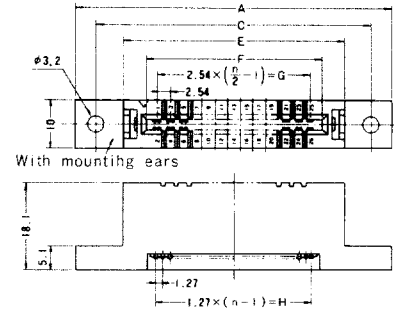
MFC-()RCE()1



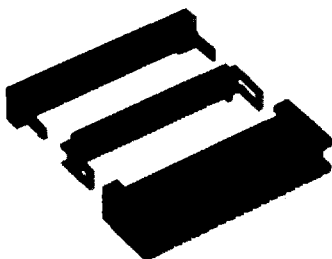
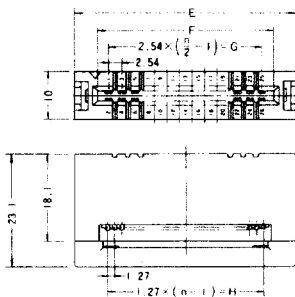
MFC-()RCE()2



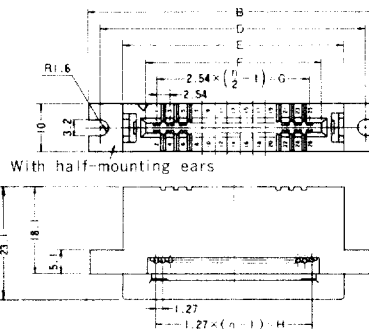
MFC-()RCE()3



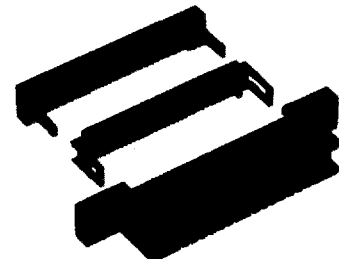
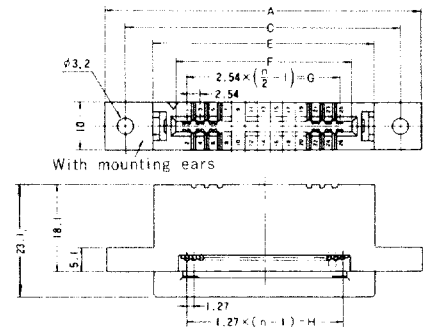
MCE-□CE()1



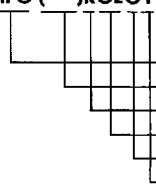
MFC-□CE()2



MFC-□CE()3



● Part No. (Ordering No.)
MFC-()RCEC1



- Series prefix
- Number of contacts (10, 16, 20, 26, 30, 34, 40, 50 and 60)
- With strain relief (Blank: Without strain relief)
- Card edge connector
- Closed type (Blank: Through type)
- Mounting style (1...Without mounting ears, 2...With half-mounting ears, 3...With mounting ears)

Specifications

Rated current	1 A
Rated voltage	250 V AC (r.m.s)
Withstand voltage	500 V AC (r.m.s) for one minute
Insulation resistance	1000 MΩ or more at 500 V DC
Contact resistance	20 mΩ or less (initial value)
Operating temperature and humidity	-55°C to +105°C, R.H. less than 85%

Specifications of applicable cable

- 1.27-mm-spacing flat cable
- Conductor
 - AWG #28 stranded wires (7 × 0.127)
 - AWG #30 solid wire (0.254)
- Insulator
 - PVC

Material and Plating

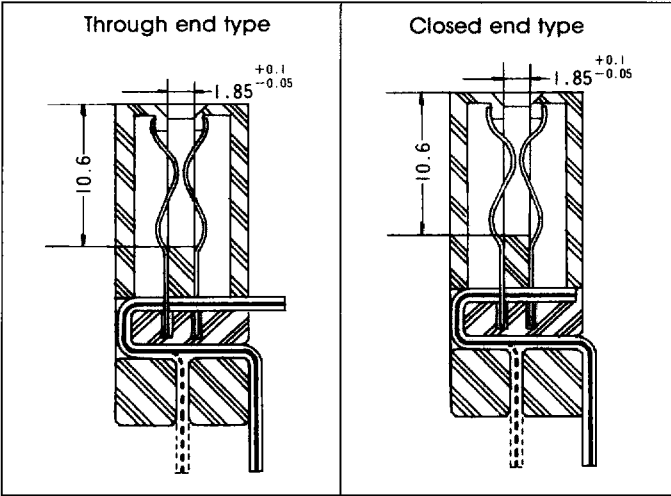
Contact	Gold-plated phospher bronze
Insulator	Glass-filled PBT resin (UL94V-0)

Dimensions

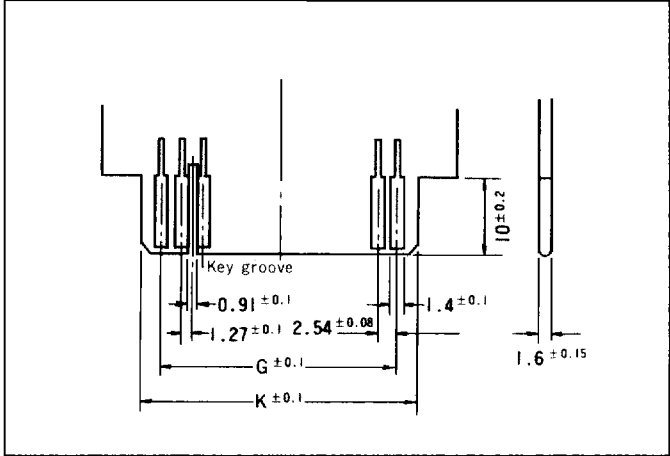
Part No.	Number of contacts	Dimensions								
		A	B	C	D	E	F	G	H	K
* MFC-10CE1, 10RCE1	10	—	—	—	—	24.36	15.34	10.16	11.43	15.11
* MFC-10CE2, 10RCE2		—	38.10	—	33.02					
* MFC-10CE3, 10RCE3		43.69	—	35.56	—					
* MFC-16CE1, 16RCE1	16	—	—	—	—	31.98	22.96	17.78	19.05	22.73
* MFC-16CE2, 16RCE2		—	45.72	—	40.64					
* MFC-16CE3, 16RCE3		51.31	—	43.18	—					
MFC-20CE1, 20RCE1	20	—	—	—	—	37.06	28.04	22.86	24.13	27.81
MFC-20CE2, 20RCE2		—	50.80	—	45.72					
MFC-20CE3, 20RCE3		56.39	—	48.26	—					
MFC-26CE1, 26RCE1	26	—	—	—	—	44.68	35.65	30.48	31.75	35.43
MFC-26CE2, 26RCE2		—	58.42	—	53.34					
MFC-26CE3, 26RCE3		64.01	—	55.88	—					
* MFC-30CE1, 30RCE1	30	—	—	—	—	49.76	40.74	35.56	36.83	40.51
* MFC-30CE2, 30RCE2		—	63.50	—	58.42					
* MFC-30CE3, 30RCE3		69.09	—	60.96	—					
MFC-34CE1, 34RCE1	34	—	—	—	—	54.84	45.82	40.64	41.91	45.59
MFC-34CE2, 34RCE2		—	68.58	—	63.50					
MFC-34CE3, 34RCE3		74.17	—	66.04	—					
* MFC-40CE1, 40RCE1	40	—	—	—	—	62.46	53.44	48.26	49.53	53.21
* MFC-40CE2, 40RCE2		—	76.20	—	71.12					
* MFC-40CE3, 40RCE3		81.79	—	73.66	—					
MFC-50CE1, 50RCE1	50	—	—	—	—	75.16	66.14	60.96	62.23	65.91
MFC-50CE2, 50RCE2		—	88.90	—	83.82					
MFC-50CE3, 50RCE3		94.49	—	86.36	—					
* MFC-60CE1, 60RCE1	60	—	—	—	—	87.86	78.84	73.66	74.93	78.61
* MFC-60CE2, 60RCE2		—	101.60	—	96.52					
* MFC-60CE3, 60RCE3		107.19	—	99.06	—					

* : planning stage.

MFC- CE
RCE1...Without mounting ears 2...With half-mounting ears 3...With mounting ears

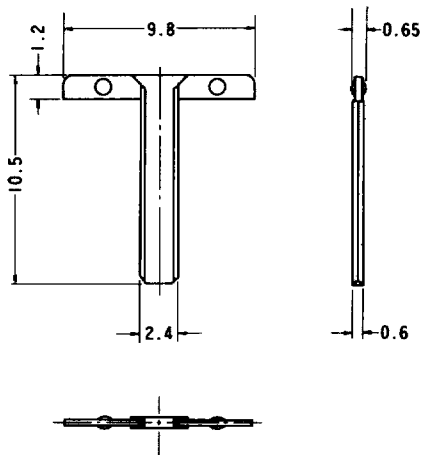


■PC-BOARD PATTERN (Example)

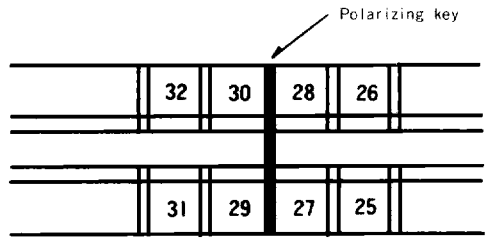


■ACCESSORIES

POLARIZING KEY
PART NO.: MFC-CE-PK1



● How to use polarizing key
Press insert the key into the groove shown in the figure below using the inserting tool (MFC-CE-T1).



■CABLE ASSEMBLY TOOLS

- ① Hand press MFC-K1
- ② Cable cutter MFC-K3
- ③ Locator MFC-K9