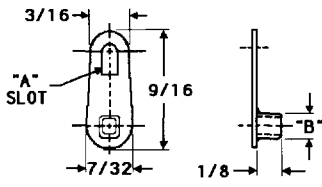


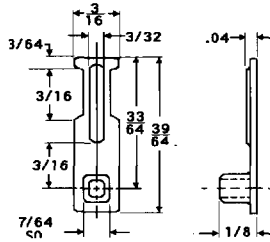
# EYELET TYPE SOLDERING LUGS

## STANDARD LUGS



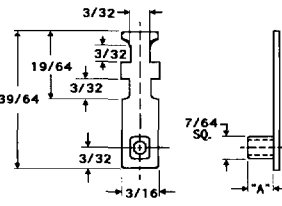
PART	"A" SLOT	"B" BARREL	MAT'L
N4001	.16 X .08	7/64 SQ.	.020 BRASS
N4002	.16 X .08	7/64 SQ.	.020 STEEL
N4002-1	.20 X .10	1/8 SQ.	.018 STEEL

## SOLDERING LUGS



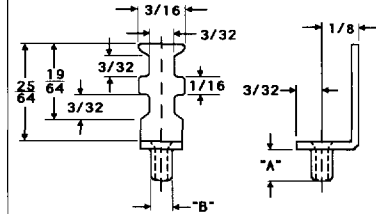
PART	MATERIAL
N4003	.017 BRASS
N4004	.017 STEEL
N4005 No Emboss	.017 BRASS
N4006 No Emboss	.023 BRASS

## SOLDERING LUGS



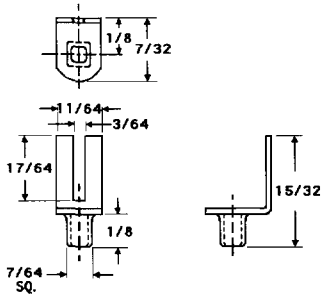
PART	MATERIAL	"A"
N4008	.023 BRASS	5/32
N4009	.032 BRASS	1/8

## .023 BRASS SOLDERING LUGS

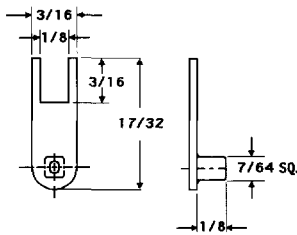


PART	"A"	"B"
N4010	1/8	7/64 SQUARE
N4011	5/32	1/8 ROUND

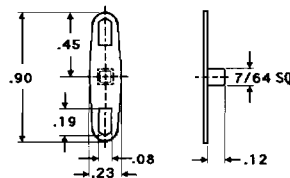
## N4012 .023 BRASS SOLDERING LUG



## N4013 .023 BRASS SOLDERING LUG

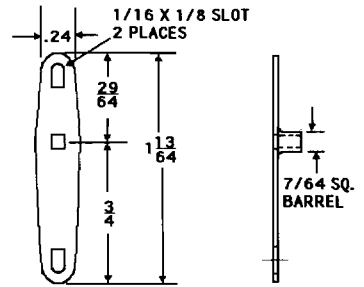


## SOLDERING LUGS

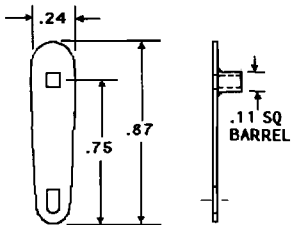


PART	MATERIAL
4014	.017 BRASS
4014-1	.015 STEEL

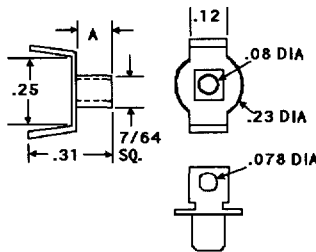
## N4015 DRAWN STANDARD LUG



## N4016 DRAWN STANDARD LUG

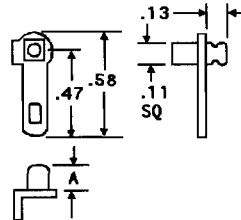


## TERMINAL LUGS



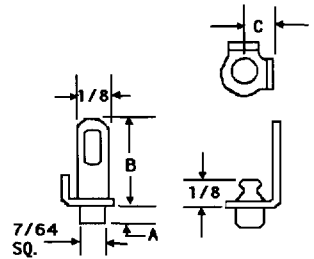
PART	"A"	MAT'L
N4018	1/8	.017 BRASS
N4019	9/64	.017 BRASS

## .020 BRASS SOLDERING LUGS



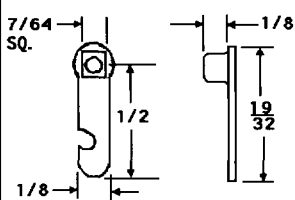
PART	DIA. "A"
N4020	.16
N4021	.13

## .020 BRASS LUGS

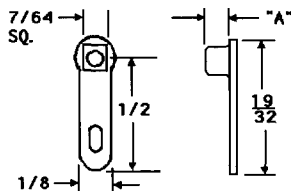


PART	"A"	"B"	"C"
N4022	1/8	3/8	1/8
N4024	1/8	5/16	3/16
N4025	5/32	5/16	3/16

## N4026 .023 BRASS LUG

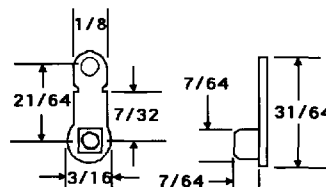


## SOLDERING LUGS

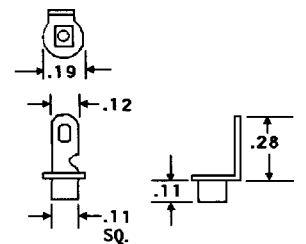


PART	MAT'L	"A"
N4027	.016 BRASS	3/32
N4028	.016 BRASS	7/64
N4029	.016 BRASS	1/8
N4030	.016 BRASS	9/64

## N4031 .016 BRASS LUG

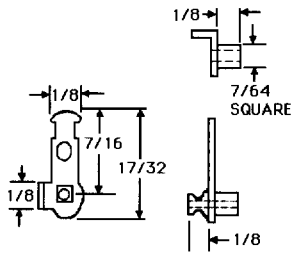


## N4032 .016 BRASS SOLDERING LUG

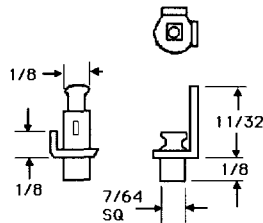


# EYELET TYPE SOLDERING LUGS (CONTINUED)

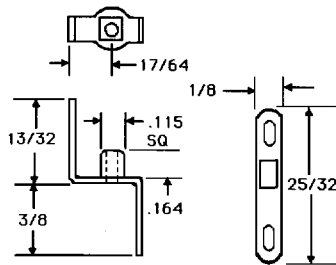
**N4033 .020 BRASS LUG**



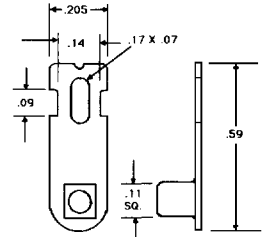
**N4034 .020 BRASS LUG**



**N4035 .025 BRASS LUG**

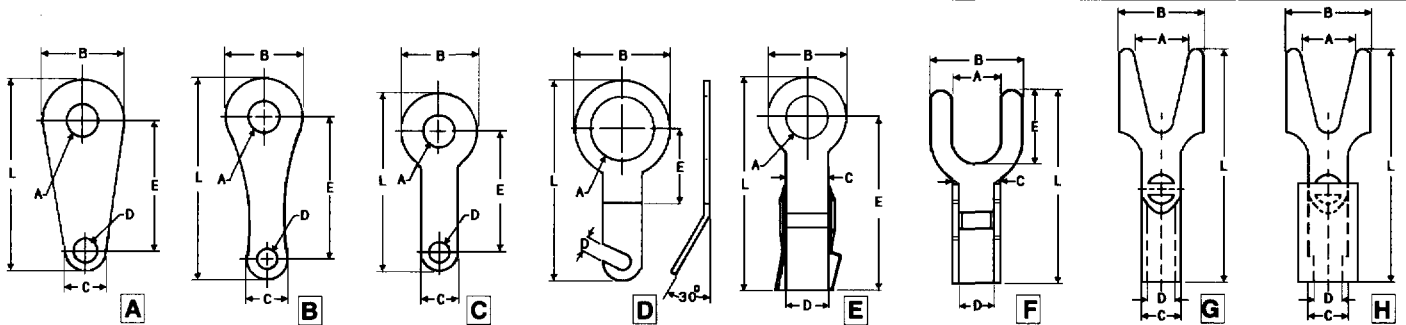


**SOLDERING LUGS**



PART NO.	THK.	MATERIAL
N4036	.018	BRASS
N4036-1	.018	STEEL

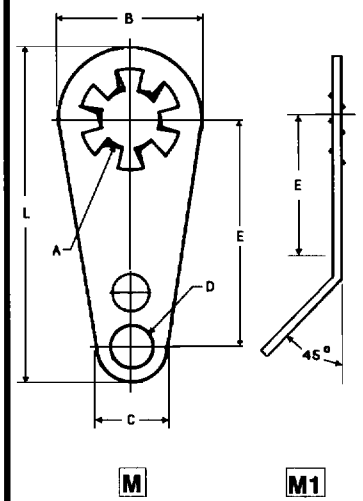
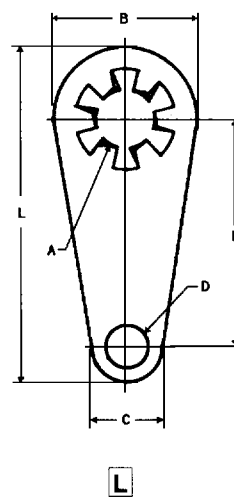
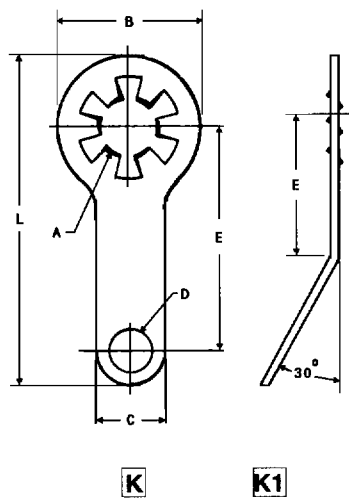
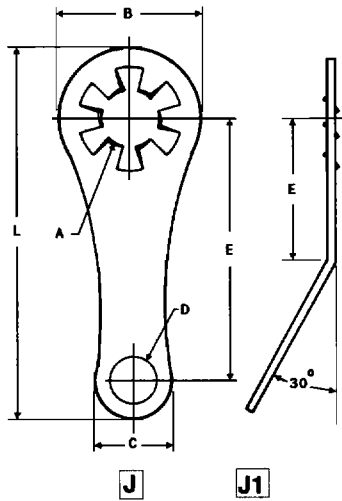
## SOLDER LUGS



**FINISH:** Solder-plated.

PART NO.	ILLUS.	STYLE	"A" STUD SIZE	"L" LENGTH	MATERIAL AND THKNS.	DIMENSIONS								
						"B" O.D.	"C" WIDTH	"D" HOLE	"E" CNTR					
1485-4	A	Flat	#4	27/32	.010 BRASS	5/16	3/16	1/16	5/16					
1485-6			#6											
1485-8			#8											
1485-10			#10											
1497			3/8							7/8	.016 BRASS	9/16	7/32	5/64
1486-4	B	Flat Teardrop	#4	27/32	.010 BRASS	5/16	5/32	1/16	5/8					
1486-6			#6											
1486-8			#8											
1486-10			#10											
1488-4	C	Flat Tongue	#4	9/16	.020 BRASS	1/4	3/8	3/16	23/64					
1488-6			#6											
1488-8			#8											
1496	D	Bent Tongue	1/4	25/32	.020 BRASS	3/8	7/32	9/64	19/64					
1494-6	E	Crimp Ring	#6	5/8	.025 COPPER	5/16	3/32	1/8	15/32					
1494-8			#8											
1491			#10							15/16	.018 BRASS	11/32	3/16	49/64
1493			1/4							1-3/32	.025 COPPER	1/2	3/16	27/32
1490	F	Crimp Spade	#10	25/32	.020 BRASS	3/8	7/32	9/64	37/64					
1495			#8	21/32						11/32	3/32	33/64		
129			G	Spade Lug Adapter						#6 to	1-1/4	.022 BRASS	7/32	13/64
218	H	Insulated Spade Lug	1/4"	1-7/16	3/8	3/8								

# SOLDER LUGS CONTINUED

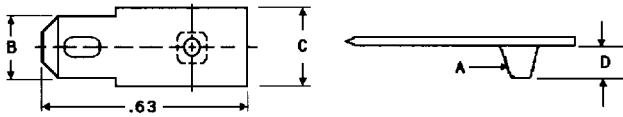


**MATERIAL:** Brass, thickness as specified.  
**FINISH:** Solder-plated.  
**STYLE:** Bent lugs have the same configuration as the flat lug shown in the adjacent drawing, with the bend details as shown.

PART NO.	ILLUS.	STYLE	A STUD SIZE	L LENGTH	THKNS.	DIMENSIONS									
						B O.D.	C WIDTH	D HOLE	E CNTR						
1410-4	J	Flat Locking	#4	7/8	.018	5/16	11/64	3/32	5/8						
1410-6			#6												
1410-8			#8												
1410-10			#10							57/64	11/32				
1410-14			1/4							13/16	7/16	3/16	1/2		
1414-4	J1	Bent Locking	#4	13/16		.018	5/16		11/64	3/32	17/64				
1414-6			#6												
1414-8			#8												
1414-10			#10									53/64	11/32		
1411-4	K	Flat Locking	#4	47/64			.018		5/16		3/32	3/32	17/32		
1411-6			#6												
1411-8			#8												
1415-4	K1	Bent Locking	#4	23/32	.018	5/16		3/32					3/32	7/32	
1415-6			#6												
1415-8			#8												
1412-4	L	Flat Locking	#4	5/8					.018	5/16	3/16			3/32	3/8
1412-6			#6												
1412-8			#8												
1413-4	M	Flat Locking	#4	23/32		.018		5/16							3/16
1413-6			#6												
1413-8			#8												
1416-4	M1	Bent Locking	#4	41/64			.018			5/16	3/16	3/32			
1416-6			#6												
1416-8			#8												

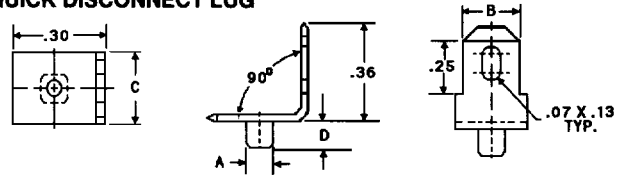
# QUICK DISCONNECT TYPE TERMINALS

## QUICK DISCONNECT LUG



PART	MATERIAL	"A"	"B"	"C"	"D"
N4201	.020 BRASS	7/64 SQ. BARREL	.205	.27	.12
N4220	.020 BRASS	1/8 SQ. HOLE	.205	.27	-
N4231	.020 BRASS	7/64 SQ. BARREL	.250	.31	.12
N4236	.020 BRASS	1/8 SQ. HOLE	.250	.31	-
N4250	.032 BRASS	1/8 SQ. HOLE	.205	.27	-
N4258	.032 BRASS	1/8 SQ. HOLE	.250	.31	-
N4289	.032 BRASS	1/8 SQ. BARREL	.250	.31	.12
N4450	.020 BRASS	7/64 SQ. BARREL	.187	.27	.12
N4450-5	.020 BRASS	7/64 SQ. BARREL	.187	.27	.19
N4455	.020 BRASS	1/8 SQ. HOLE	.187	.27	-
N4466	.032 BRASS	1/8 SQ. HOLE	.187	.27	-

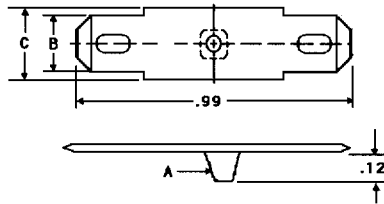
## QUICK DISCONNECT LUG



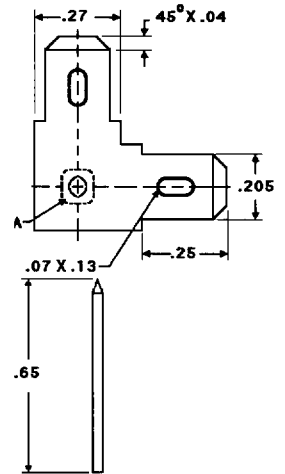
PART	MATERIAL	"A"	"B"	"C"	"D"
N4202	.020 BRASS	7/64 SQ. BARREL	.205	.27	.12
N4202-S	.020 STEEL	7/64 SQ. HOLE	.205	.27	.12
N4221	.020 BRASS	1/8 SQ. BARREL	.205	.27	-
N4232	.020 BRASS	7/64 SQ. BARREL	.250	.31	.12
N4237	.020 BRASS	1/8 SQ. HOLE	.250	.31	-
N4251	.032 BRASS	1/8 SQ. HOLE	.205	.27	-
N4259	.032 BRASS	1/8 SQ. HOLE	.250	.31	-
N4451	.020 BRASS	7/64 SQ. BARREL	.187	.27	.12
N4451-3	.020 BRASS	7/64 SQ. BARREL	.187	.27	.07
N4451-5	.020 BRASS	1/8 SQ. BARREL	.187	.27	.19
N4456	.020 BRASS	1/8 SQ. HOLE	.187	.27	-
N4467	.032 BRASS	1/8 SQ. HOLE	.187	.27	-

## QUICK DISCONNECT LUG

PART	MATERIAL	"A"	"B"	"C"
N4203	.020 BRASS	7/64 SQ. BARREL	.205	.27
N4222	.020 BRASS	1/8 SQ. HOLE	.205	.27
N4233	.020 BRASS	7/64 SQ. BARREL	.250	.31
N4238	.020 BRASS	1/8 SQ. HOLE	.250	.31
N4252	.032 BRASS	1/8 SQ. HOLE	.205	.27
N4260	.032 BRASS	1/8 SQ. HOLE	.250	.31
N4268	.032 BRASS	1/8 SQ. HOLE	.187	.27
N4452	.020 BRASS	7/64 SQ. BARREL	.187	.27
N4452-1	.020 BRASS	NO HOLE/BARREL	.187	.27
N4457	.020 BRASS	1/8 SQ. HOLE	.187	.27



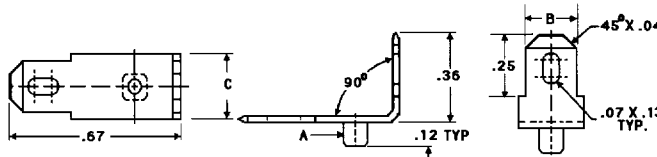
## QUICK DISCONNECT



PART	MATERIAL	"A"
N4206	.020 BRASS	.115 SQ. BARREL
N4206-1	.020 BRASS	.115 SQ. HOLE

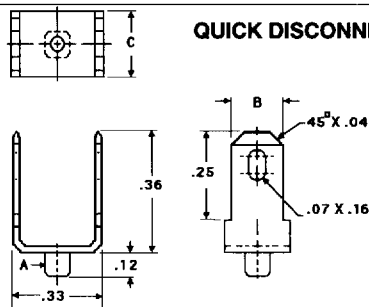
## QUICK DISCONNECT LUG

PART	MATERIAL	"A"	"B"	"C"
N4204	.020 BRASS	7/64 SQ. BARREL	.205	.27
N4223	.020 BRASS	1/8 SQ. HOLE	.205	.27
N4234	.020 BRASS	7/64 SQ. BARREL	.250	.31
N4239	.020 BRASS	1/8 SQ. HOLE	.250	.31
N4253	.032 BRASS	1/8 SQ. HOLE	.205	.27
N4261	.032 BRASS	1/8 SQ. HOLE	.250	.31
N4269	.032 BRASS	1/8 SQ. HOLE	.187	.27
N4453	.020 BRASS	7/64 SQ. BARREL	.187	.27
N4458	.020 BRASS	1/8 SQ. HOLE	.187	.27

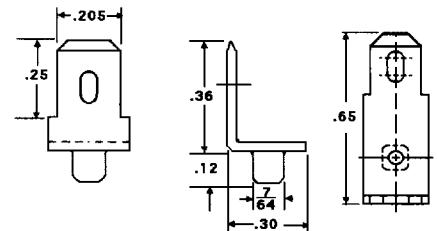


## QUICK DISCONNECT LUG

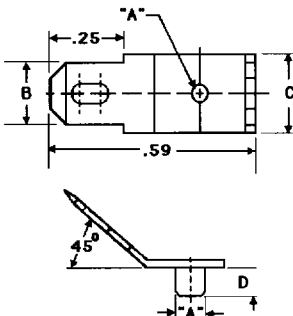
PART	MATERIAL	"A"	"B"	"C"
N4205	.020 BRASS	7/64 SQ. BARREL	.205	.27
N4224	.020 BRASS	1/8 SQ. HOLE	.205	.27
N4224-5	.020 BRASS	9/64 DIA. HOLE	.205	.27
N4235	.020 BRASS	7/64 SQ. BARREL	.250	.31
N4240	.020 BRASS	1/8 SQ. HOLE	.250	.31
N4254	.032 BRASS	1/8 SQ. HOLE	.205	.27
N4262	.032 BRASS	1/8 SQ. HOLE	.250	.31
N4262-1	.032 BRASS	1/8 DIA. HOLE	.250	.31
N4270	.032 BRASS	1/8 SQ. HOLE	.187	.31
N4454	.020 BRASS	7/64 SQ. BARREL	.187	.27
N4459	.020 BRASS	1/8 SQ. HOLE	.187	.27
N4459-5	.020 BRASS	1/8 DIA. HOLE	.187	.27



## N4207 .020 BRASS QUICK DISCONNECT LUG



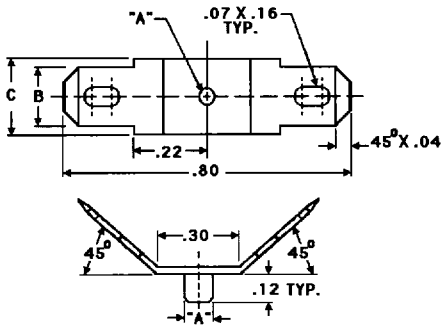
## QUICK DISCONNECT LUG



PART	MATERIAL	"A"	"B"	"C"	"D"
N4225	.020 BRASS	7/64 SQ. BARREL	.205	.29	.12
N4228	.020 BRASS	1/8 SQ. HOLE	.205	.29	.12
N4241	.020 BRASS	7/64 SQ. BARREL	.250	.31	.12
N4245	.020 BRASS	1/8 SQ. HOLE	.250	.31	.12
N4255	.032 BRASS	1/8 SQ. HOLE	.205	.29	.12
N4263	.032 BRASS	1/8 SQ. HOLE	.250	.31	.12
N4271	.032 BRASS	1/8 SQ. HOLE	.187	.29	.12
N4460	.020 BRASS	7/64 SQ. BARREL	.187	.29	.12
N4460-5	.020 BRASS	1/8 SQ. BARREL	.187	.29	.19
N4463	.020 BRASS	1/8 SQ. HOLE	.187	.29	.12

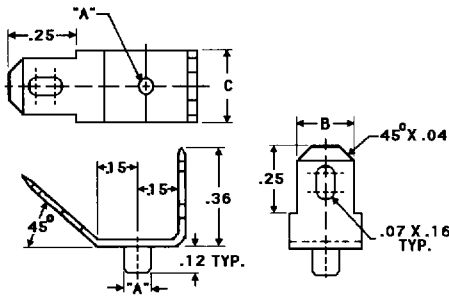
# QUICK DISCONNECT TYPE TERMINALS (CONTINUED)

**QUICK DISCONNECT LUG**



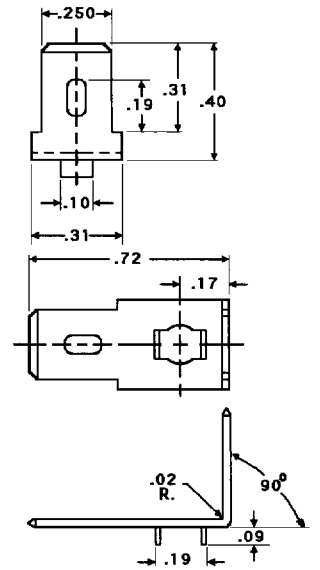
PART	MATERIAL	"A"	"B"	"C"
N4226	.020 BRASS	7/64 SQ. BARREL	.205	.27
N4229	.020 BRASS	1/8 SQ. HOLE	.205	.27
N4242	.020 BRASS	7/64 SQ. BARREL	.250	.31
N4246	.020 BRASS	1/8 SQ. HOLE	.250	.31
N4256	.032 BRASS	1/8 SQ. HOLE	.205	.27
N4264	.032 BRASS	1/8 SQ. HOLE	.250	.31
N4272	.032 BRASS	1/8 SQ. HOLE	.187	.27
N4461	.020 BRASS	7/64 SQ. BARREL	.187	.27
N4464	.020 BRASS	1/8 SQ. HOLE	.187	.27

**QUICK DISCONNECT LUG**

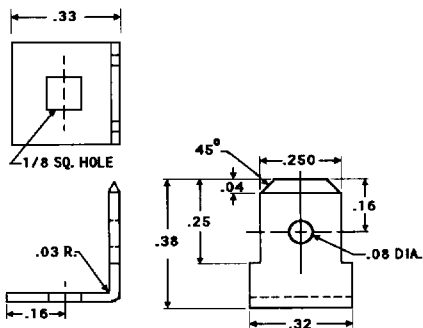


PART	MATERIAL	"A"	"B"	"C"
N4227	.020 BRASS	7/64 SQ. BARREL	.205	.27
N4230	.020 BRASS	1/8 SQ. HOLE	.205	.27
N4243	.020 BRASS	7/64 SQ. BARREL	.250	.31
N4247	.020 BRASS	1/8 SQ. HOLE	.250	.31
N4257	.032 BRASS	1/8 SQ. HOLE	.205	.27
N4265	.032 BRASS	1/8 SQ. HOLE	.250	.31
N4273	.032 BRASS	1/8 SQ. HOLE	.187	.27
N4462	.020 BRASS	7/64 SQ. BARREL	.187	.27
N4465	.020 BRASS	1/8 SQ. HOLE	.187	.27

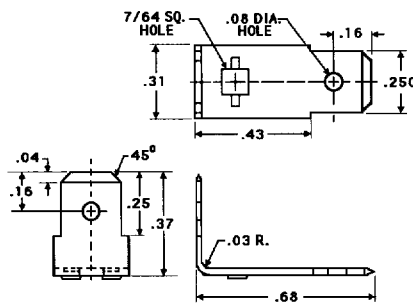
**N4470 .032 BRASS QUICK DISCONNECT LUG**



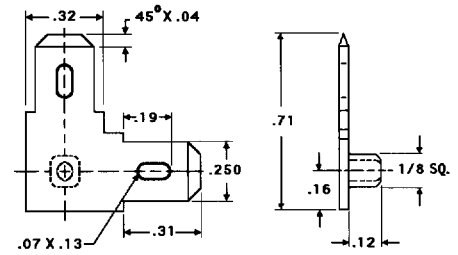
**N4475 .032 BRASS QUICK DISCONNECT LUG**



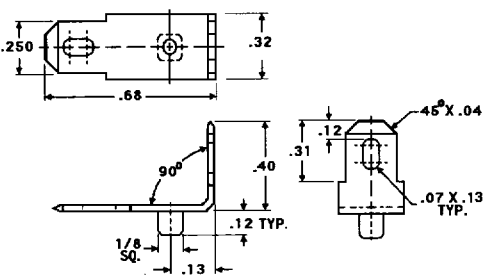
**N4479 .032 BRASS QUICK DISCONNECT LUG**



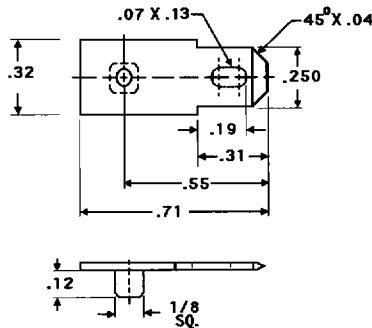
**N4481 .032 BRASS QUICK DISCONNECT LUG**



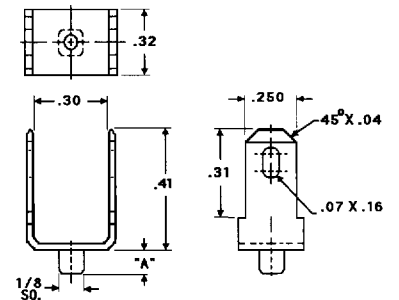
**N4482 .032 BRASS QUICK DISCONNECT LUG**



**N4483 .032 BRASS QUICK DISCONNECT LUG**



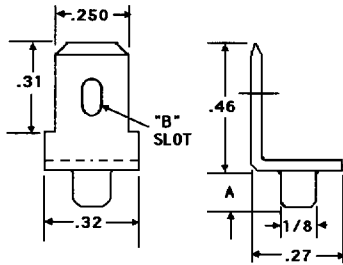
**N4486 .032 BRASS QUICK DISCONNECT LUG**



PART	"A"
N4486	.12
N4486-6	.16

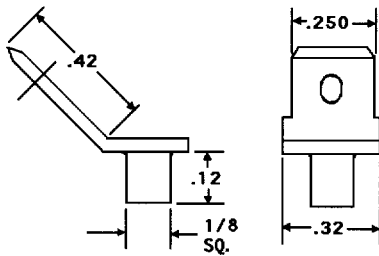
# QUICK DISCONNECT TYPE TERMINALS (CONTINUED)

N4484 .030 BRASS QUICK DISCONNECT

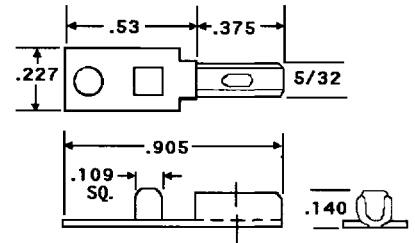


PART	DIM "A"	SLOT "B"
N4484	.12	.12 X .07
N4484-6	.15	.16 X .07

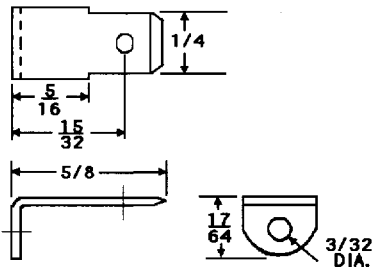
N4485 .032 BRASS QUICK DISCONNECT



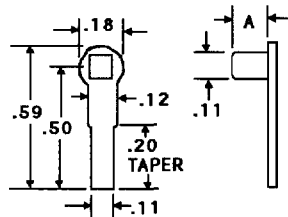
N4209 .025 BRASS QUICK DISCONNECT



N4214 .032 BRASS QUICK DISCONNECT

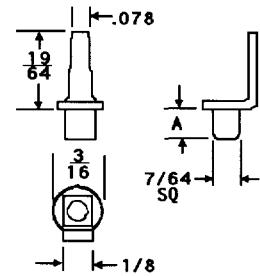


QUICK DISCONNECT



PART	MATERIAL	DIM "A"
N4215	.020 BRASS	9/64
N4216	.022 BRASS	3/32
N4217	.016 BRASS	9/64

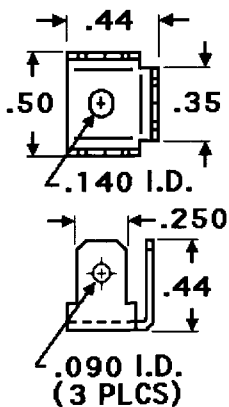
QUICK DISCONNECT



PART	MATERIAL	DIM "A"
N4218	.022 BRASS	3/32
N4219	.022 BRASS	1/8

## MULTI-QUICK DISCONNECT

N4489 .030 BRASS QUICK DISCONNECT



.030 BRASS MULTI-QUICK DISCONNECT

PART #	# TERMINALS
N4490-01	1
N4490-02	2
N4490-03	3
N4490-04	4
N4490-05	5
N4490-06	6
N4490-07	7
N4490-08	8
N4490-09	9
N4490-10	10
N4490-11	11
N4490-12	12

Can be supplied with up to 12 terminals on a continuous strip.

