

**SPECIFICATIONS**

**Mechanical**

**Mating Force:** 3.5Kg (7.72Lb) max.  
**Unmating Force:** 0.7Kg (1.54Lb) min.  
 0.3Kg (0.66Lb) min. after Test  
**Durability:** 5000 Cycles

**Electrical**

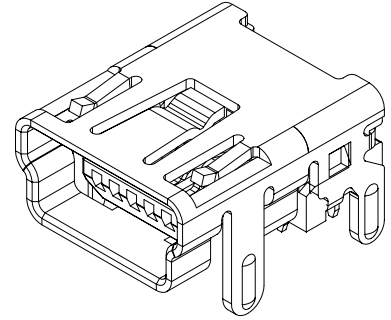
**Contact Current Rating:** 1A  
**Contact Resistance:** 50mΩ max.  
**Dielectric Withstanding Voltage:** 100Vrms AC  
**Insulation Resistance:** 100MΩ min. initial at 100V DC  
 50MΩ min. after Test at 100V DC

**Physical**

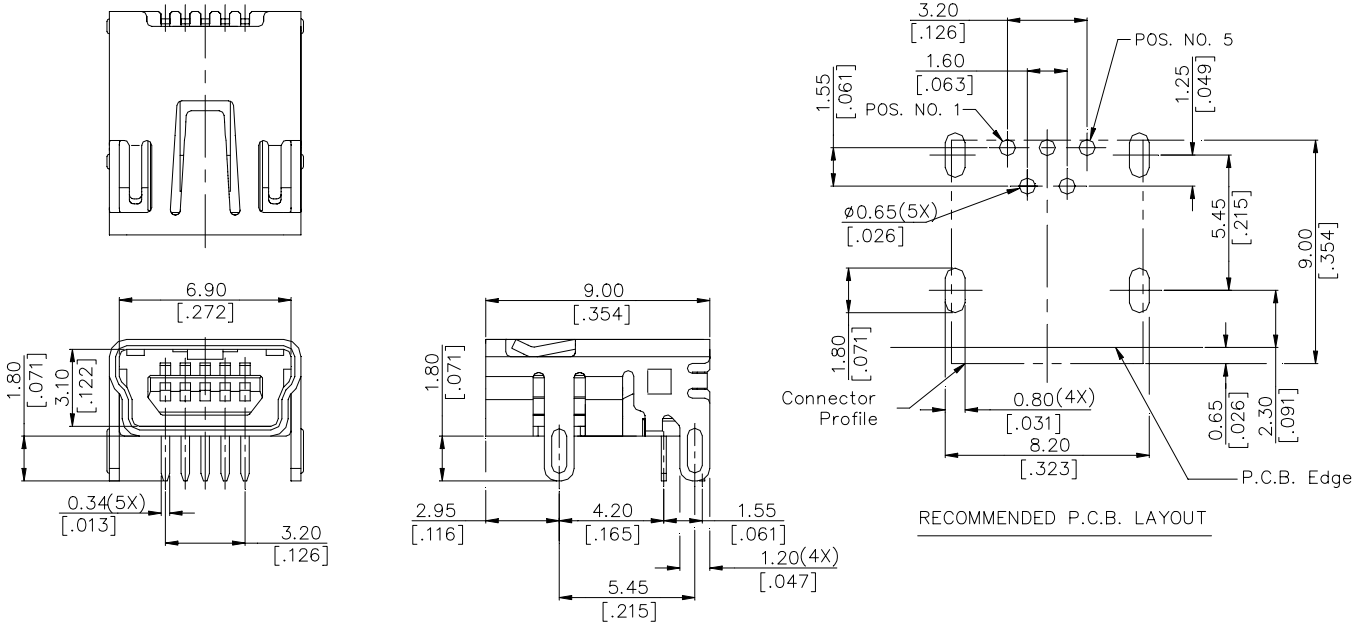
**Housing:** Thermoplastic, UL 94V-0 rated in Black Color  
**Contact:** Copper alloy  
**Plating:** See "ORDERING INFORMATION"  
**Operating Temperature:** -30 to +75

**Mini USB B Type Connector**

**UH Series**  
**Right Angle, T/H Type**  
**0.80mm [.032"] Pitch**  
**5 Pos.**



**DRAWING**



**ORDERING INFORMATION**

**PRODUCT NO.:**

