

DIAMOND

Fiber Optic Components

Connector for polarisation maintaining fiber

E-2106.6-PM	E-2108.6-PM
SC-PM	SC-PM/APC
FC-PM	FC-PM/APC
LSA-PM	LSA-PM/HRL

DIAMOND PM (polarisation maintaining) connectors and their termination process are particularly designed to cover all requirements and characteristics of polarisation maintaining (PM) and polarising fibers (PZ).

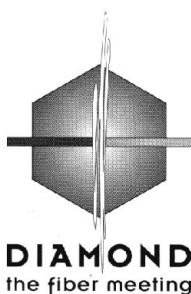
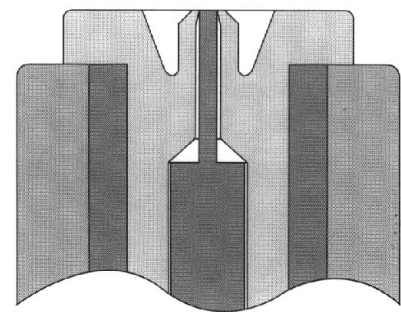
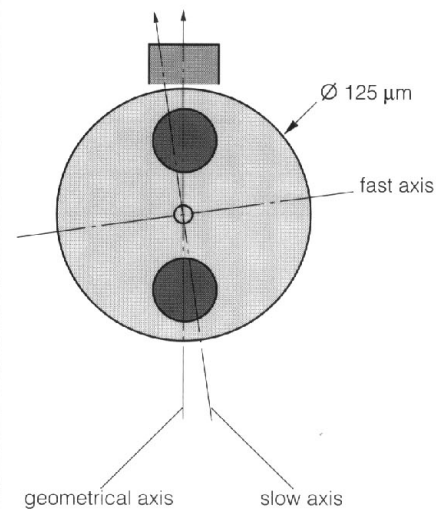
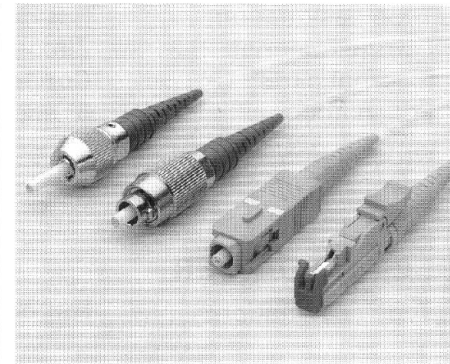
DIAMOND polarisation maintaining connectors highlight several benefits including:

- **Consistent, repeatable low insertion loss**
achieved thanks to DIAMOND's unique ferrule design combined with the active core alignment process (rest eccentricity 0.25 μm).
- **Stressless fiber**
The optimized design of the ferrule prevents the fiber of any stress keeping all polarisation maintaining features of the fiber.
- **High extinction rate**
The slow axis is actively aligned toward the connector key
- **High return loss**
The APC polished fiber guarantees RL values of 70 dB min. PC polished connectors are available, too.
- Available for Wavelength of 1310 nm and 1550 nm.
- **For use**
in WDM's including optical modulators, sensors, interferometers
- **Choice of four different connector styles:**
E-2000™-PM, SC-PM, FC-PM, DIN-PM

Specifications

	SM PC		SM 8° APC		Unit
Insertion loss (IL)*	typ 0.2	max 0.5	typ 0.2	max 0.5	dB
Reflectance (RL)	typ 40	min 30	typ 70*	min 55	dB
Repeatability of IL	± 0.1		± 0.1		dB
Extinction Ratio	< -23 typ -28				dB

* Measured with high precision reflectometer




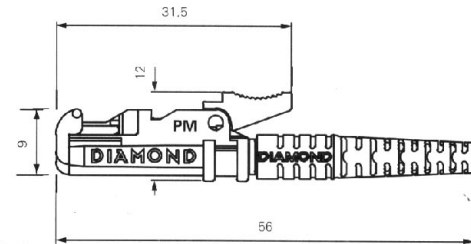
DIAMOND SA
Via del Patrizi 5
CH-6616 LOSONE
Tel. ++41-91/785 45 45
Fax ++41-91/785 45 00
e-mail: info@diamond-fo.com

Specifications subject to change without notice

002-037-212P001062

E-2000™-PM/PC

Type designation: **E-2106.6-PM/K**
 Ferrule material: Zirconia/copper-nickel alloy insert (Pilzferrule)
 External parts: Plastic (blue)
 Polish fiber: Convex (PC)
 Order number:  - x x x - 0 0 0 L x x x




COLOR CODING

Thumb-latch	blue	green	black	red	orange	yellow	white	violet
Order No.	309	319	329	339	349	359	369	379

MECHANICAL KEYING

Thumb-latch No.	1 (red)	2 (brown)	3 (yellow)	4 (orange)	5 (violet)	6 (white)	—	—
Order No.	409	419	429	439	449	459	—	—

E-2000™-PM/APC

Type designation: **E-2108.6-PM/K**
 Ferrule material: Zirconia/copper-nickel alloy insert (Pilzferrule)
 External parts: Plastic (green)
 Polish fiber: 8° angled (APC)
 Order number:  - x x x - 0 0 0 L x x x

COLOR CODING

Thumb-latch	green	blue	black	red	orange	yellow	white	violet
Order No.	509	519	529	539	549	559	569	579

MECHANISCHE CODIERUNG

Hebel Nr.	1 (Rot)	2 (Braun)	3 (Gelb)	4 (Orange)	5 (Violett)	6 (Weiss)	—	—
Bestell. Nr.	609	619	629	639	649	659	—	—

E-2000™-PM ADAPTER

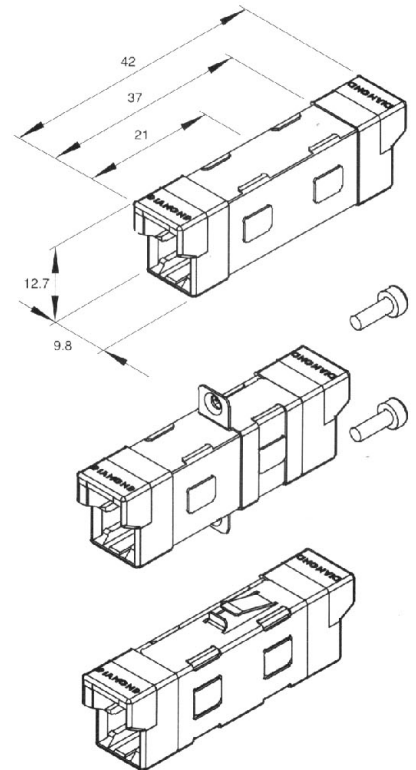
Type designation: **E-2201.2-PM**
 Mating sleeve: Zirconia
 External parts: Plastic blue (V1xx), green (V2xx)

COLOR CODING

Frame color	Order Number	Frame color	Order Number
Blue	167 - 02x - 001 V x01	Orange	167 - 02x - 001 V x05
Green	167 - 02x - 001 V x02	Yellow	167 - 02x - 001 V x06
Black	167 - 02x - 001 V x03	White	167 - 02x - 001 V x07
Red	167 - 02x - 001 V x04	Violet	167 - 02x - 001 V x08

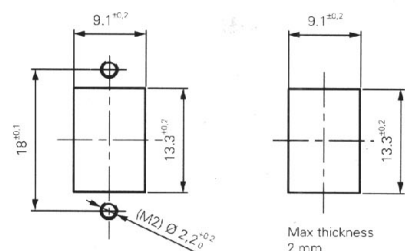
MECHANICAL KEYING

Frame No.	Order Number	Frame No.	Order Number
1 (Red)	167 - 02x - 101 V x00	4 (Orange)	167 - 02x - 401 V x00
2 (Brown)	167 - 02x - 201 V x00	5 (Violet)	167 - 02x - 501 V x00
3 (Yellow)	167 - 02x - 301 V x00	6 (White)	167 - 02x - 601 V x00



Order Number Codes for E-2000™ Mating Adapters

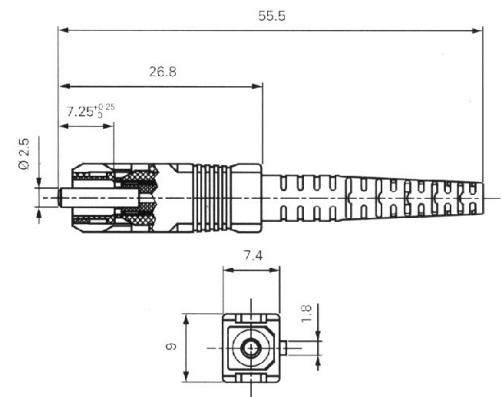
- ¹ Code for fixation type
 - 0 for basic body - 1 for assembled screw fixing clip - 2 for assembled quick fixing clip
- ² Code for mechanical keying
- ³ Code for basic body color: - 1 for blue - 2 for green
- ⁴ Code for color coding



Other fixations or colors upon request.

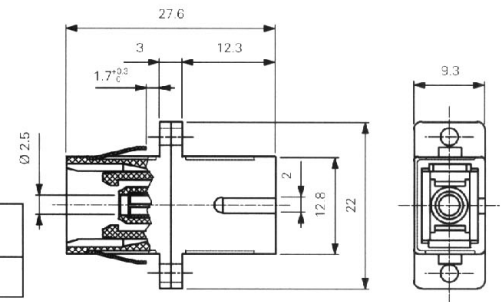
SC-PM/PC

Type designation: **HSC-S0.6-PM/K**
 Ferrule material: Zirconia/copper-nickel alloy insert (Pilzferrule)
 External parts: Copper-nickel alloy
 Polish fiber: Convex (PC)
 Order number: 1 6 0 - x x x - 0 0 0 L x x x



SC-PM/APC

Type designation: **HSC-S8.6-PM/K**
 Ferrule material: Zirconia/copper-nickel alloy insert (Pilzferrule)
 External parts: Copper-nickel alloy
 Polish fiber: 8° angled (APC)
 Order number: 1 6 1 - x x x - 0 0 0 L x x x



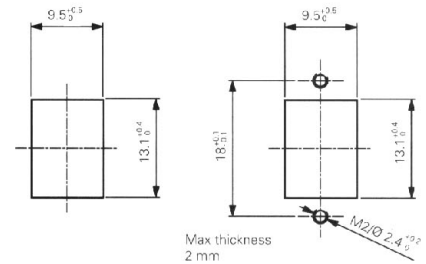
SC-PM ADAPTER

Type designation: **MSC-S0.2-PM**

Mating sleeve	Material	External parts	Order Number
Zirconia		Plastic, blue	1 1 2 - 3 0 1 - 9 1 1 V 0 0 1

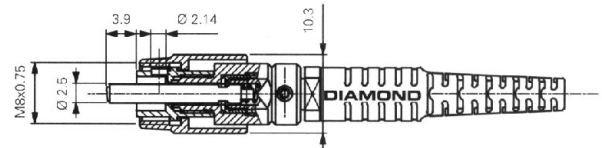
Type designation: **MSC-S8.2-PM**

Mating sleeve	Material	External parts	Order Number
Zirconia		Plastic, green	1 1 2 - 3 0 1 - 9 1 1 V 0 0 2



FC-PM/PC (key Ø 2.14 mm)

Type designation: **HPC-S0.6-PM/K**
 Ferrule material: Zirconia/copper-nickel alloy insert (Pilzferrule)
 External parts: Ni-plated brass
 Polish fiber: Convex (PC)
 Order number: 1 8 5 - x x x - 0 0 0 L x x x

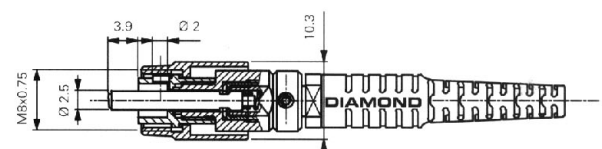


FC-PM/APC (key Ø 2,14 mm)

Type designation: **HPC-S8.6-PM/K**
 Ferrulenmaterial: Zirconia/copper-nickel alloy insert (Pilzferrule)
 External parts: Ni-plated brass
 Polish fiber: 8° angled (APC)
 Order number: 1 8 6 - x x x - 0 0 0 L x x x

FC-PM/PC (key Ø 2 mm)

Type designation: **HPC-S0.6-PM/K**
 Ferrule material: Zirconia/copper-nickel alloy insert (Pilzferrule)
 External parts: Ni-plated brass
 Polish fiber: Convex (APC)
 Order number: 1 8 7 - x x x - 0 0 0 L x x x



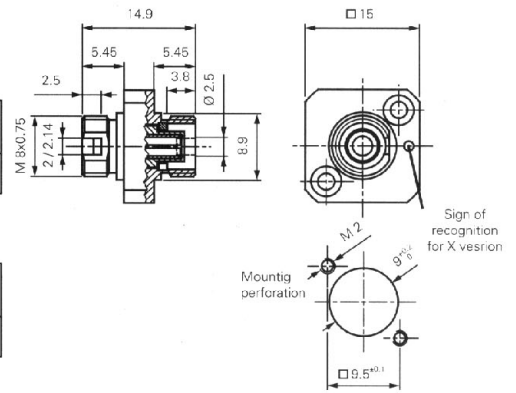
FC-PM/APC (key Ø 2 mm)

Type designation: **HPC-S8.6-PM/K**
 Ferrule material: Zirconia/copper-nickel alloy insert (Pilzferrule)
 External parts: Ni-plated brass
 Polish fiber: 8° angled (APC)
 Order number: 1 8 8 - x x x - 0 0 0 L x x x

FC-PM ADAPTER

Type designation: **MPC-S8.22-PM** (key \varnothing 2.14 mm)

Mating sleeve	Material	External parts	Order Number
Zirconia		Ni-plated brass	110 - 301 - 923 V 001



Type designation: **MPC-S8.22-PM/X** (key \varnothing 2 mm)

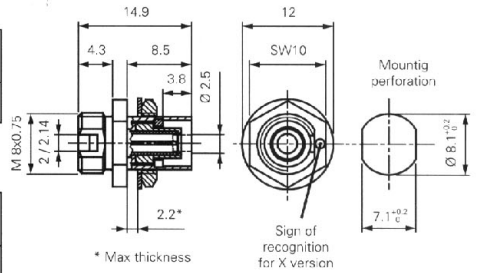
Mating sleeve	Material	External parts	Order Number
Zirconia		Ni-plated brass	110 - 301 - 923 V 002

Type designation: **MPC-S8.22-PM/6 Kt.** (key \varnothing 2.14 mm)

Mating sleeve	Material	External parts	Order Number
Zirconia		Ni-plated brass	110 - 301 - 924 V 001

Type designation: **MPC-S8.22-PM/6 Kt. X** (key \varnothing 2 mm)

Mating sleeve	Material	External parts	Order Number
Zirconia		Ni-plated brass	110 - 301 - 924 V 002

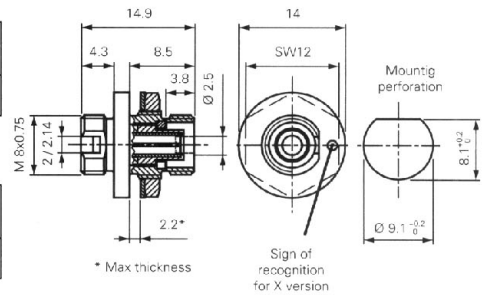


Type designation: **MPC-S8.22-PM/Y** (key \varnothing 2.14 mm)

Mating sleeve	Material	External parts	Order Number
Zirconia		Ni-plated brass	110 - 301 - 925 V 001

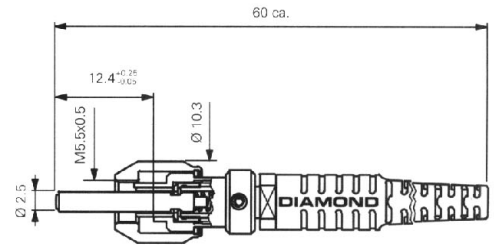
Type designation: **MPC-S8.22-PM/YX** (key \varnothing 2 mm)

Mating sleeve	Material	External parts	Order Number
Zirconia		Ni-plated brass	110 - 301 - 925 V 002



LSA-PM/PC

Type designation: **D-4106.6-PM/K**
 Ferrule material: Zirconia/copper-nickel alloy insert (Pilzferrule)
 External parts: Copper-nickel alloy
 Polish fiber: Convex (PC)
 Order number: 135 - x x x - 000 L x x x



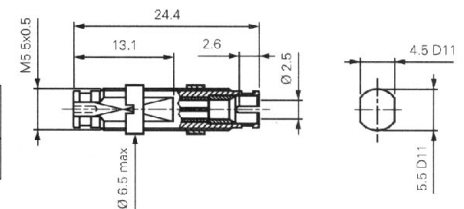
LSA-PM/HRL (APC)

Type designation: **D-4108.6-PM/K**
 Ferrule material: Zirconia/copper-nickel alloy insert (Pilzferrule)
 External parts: Copper-nickel alloy
 Polish fiber: 8° angled (APC)
 Order number: 136 - x x x - 000 L x x x

LSA-PM ADAPTER

Type designation: **D-704.23-PM**

Mating sleeve	Material	External parts	Order Number
Zirconia		Copper-nickel alloy	104 - 301 - 904 V 001



Order information for PM connectors

-	-	-	-	X	X	X	-	0	0	0	L	X	X	X
1	2	3	4											
Connector code	Connector code for termination on other end of assembly - For pigtail: insert 000 - For patch assemblies: insert connector code for other connector	Code for fiber or cable*	Length in meters i.e. 005											

* at the moment no standard fiber in stock; please explain separately the fiber/cable to be terminated.