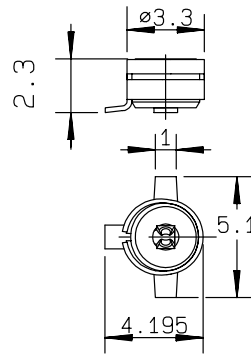
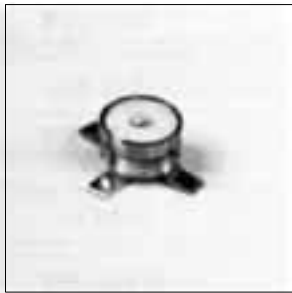
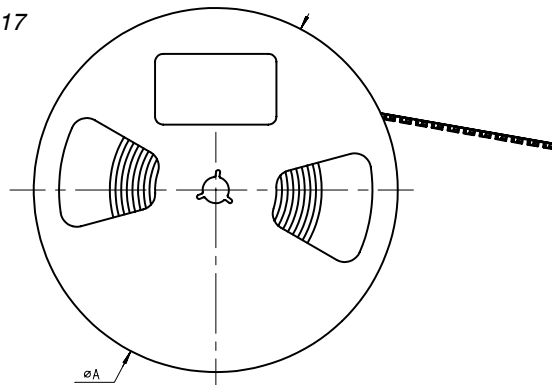


SMT RECEPTACLES



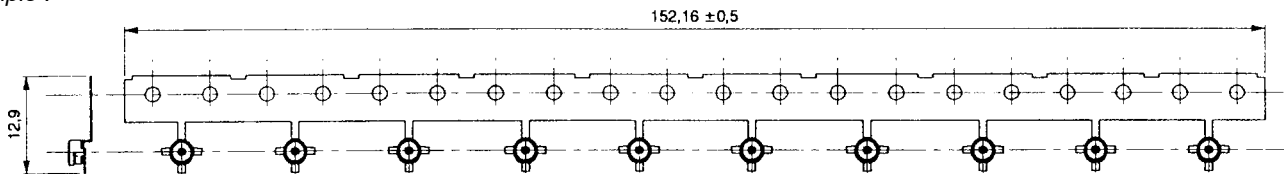
part number	imp.	center contact finish	finish	packaging	reel dimension A
R209 408 012	50	Gold 0,2	Gold	reel 100 pieces	180
R209 408 012W	50	Gold 0,2	Gold	unit	-
R209 408 052	50	Gold 0,2	Gold	reel 500 pieces	180
R209 408 302	50	Gold 0,2	Gold	reel 3000 pieces	330

Packaging : See reel description on page : 15
Soldering pattern and SMT procedure on page : 16 - 17

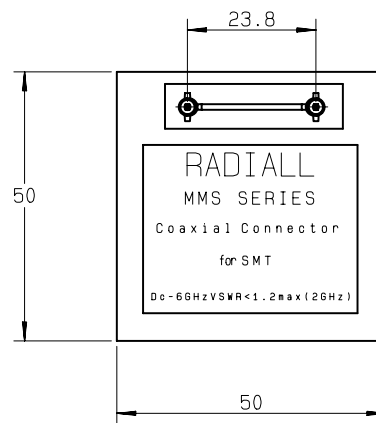


Available also under packaging and quantities according to your requirements. Please consult us.

Example :



TEST BOARD



part number
R209 900 500

Connected to a network analyzer by 2 cable assemblies, this board allows to measure the V.S.W.R. of a complete link.