

RF Characteristics



Frequency GHz	VSWR (max)	Isolation dB (min)	Ins. Loss dB (max)
DC-4	1.20	80	0.20
4-8	1.30	70	0.30
8-12.4	1.40	65	0.40
12.4-18	1.50	60	0.50
*18-22	1.60	60	0.60
*22-26	1.60	55	0.60

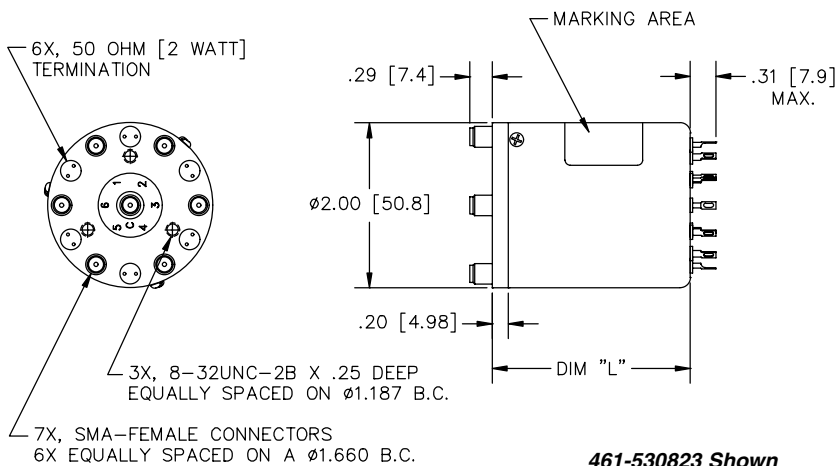
Note: RF Power for the terminated port is limited by the termination.
* "K" option only

461 Series Normally Open Terminated

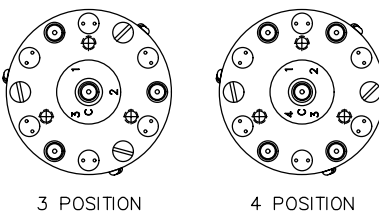
Specifications

- Operating Voltage:**
(across temperature range)
12 Vdc (11-14 Vdc)
28 Vdc (24-32 Vdc)
- Coil Current (max @ nom.Vdc & 20°C):**
12 Vdc 400 mA
28 Vdc 160 mA
- Switching Time:**
15 mS maximum
- Operating Temperature:**
-25°C to +65°C (Standard)
-55°C to +85°C (Extended "T" Option)
- Mechanical Life, Cycles:**
1,000,000 minimum
- Vibration, Operating:**
10 G RMS, 20-2000 Hz
- Mechanical Shock, Non-Operating:**
50 G, 1/2 Sine, 11 mS
- Nominal Weight:**
10.0 oz., (275g.)

Mechanical



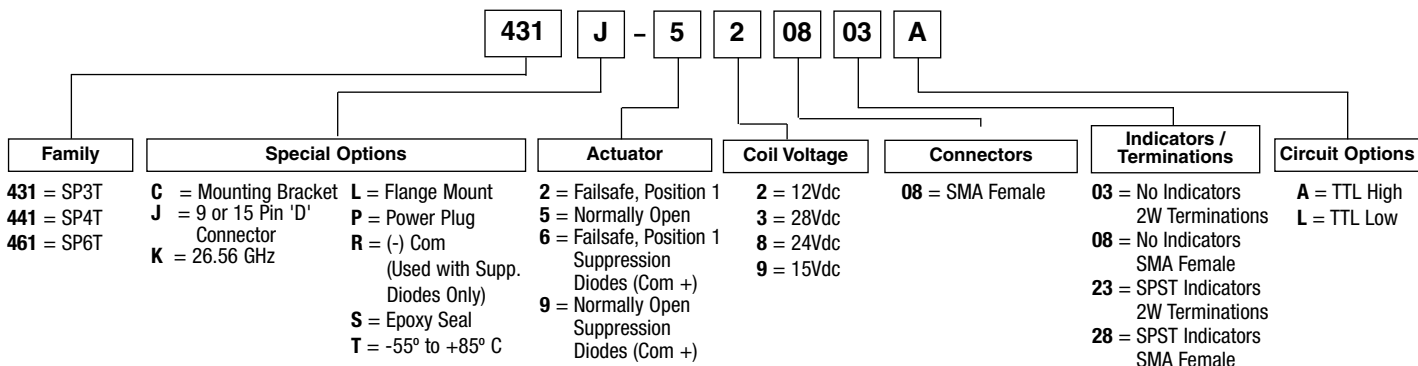
461-530823 Shown



DIM "L" (MAX)	MODEL	ELEC. SCHEM.
1.95 [49.5]	4X1-5X0803	3
2.29 [58.2]	4X1-5X0823	3
2.29 [58.2]	4X1-5X0803A	4
2.58 [65.5]	4X1-5X0823A	4

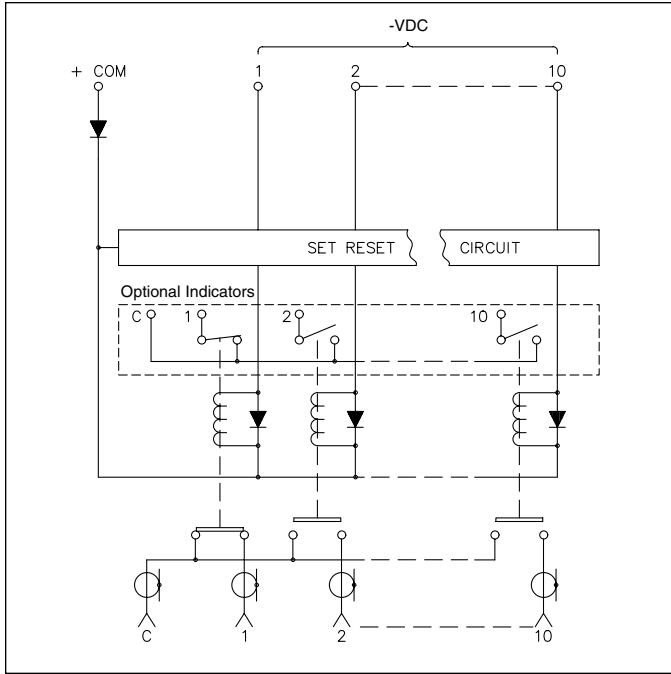
For Electrical Schematic see page # 3-9

Part Number Selection

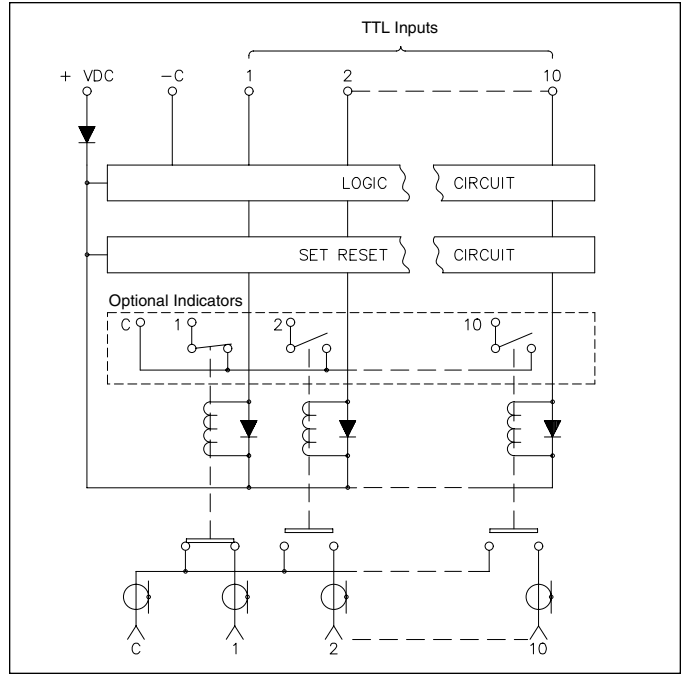




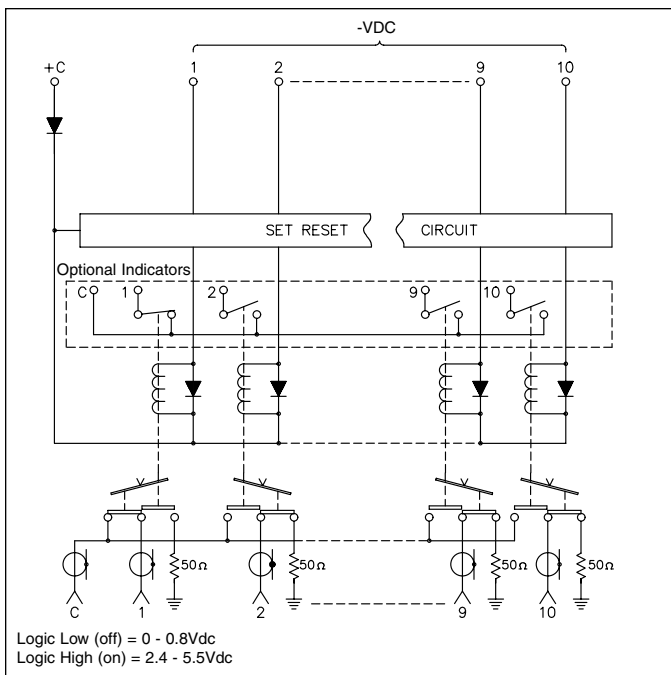
1 Latching Self Cutoff



2 Latching Self Cutoff TTL



3 Latching SCO Terminated



4 Latching SCO Terminated TTL

