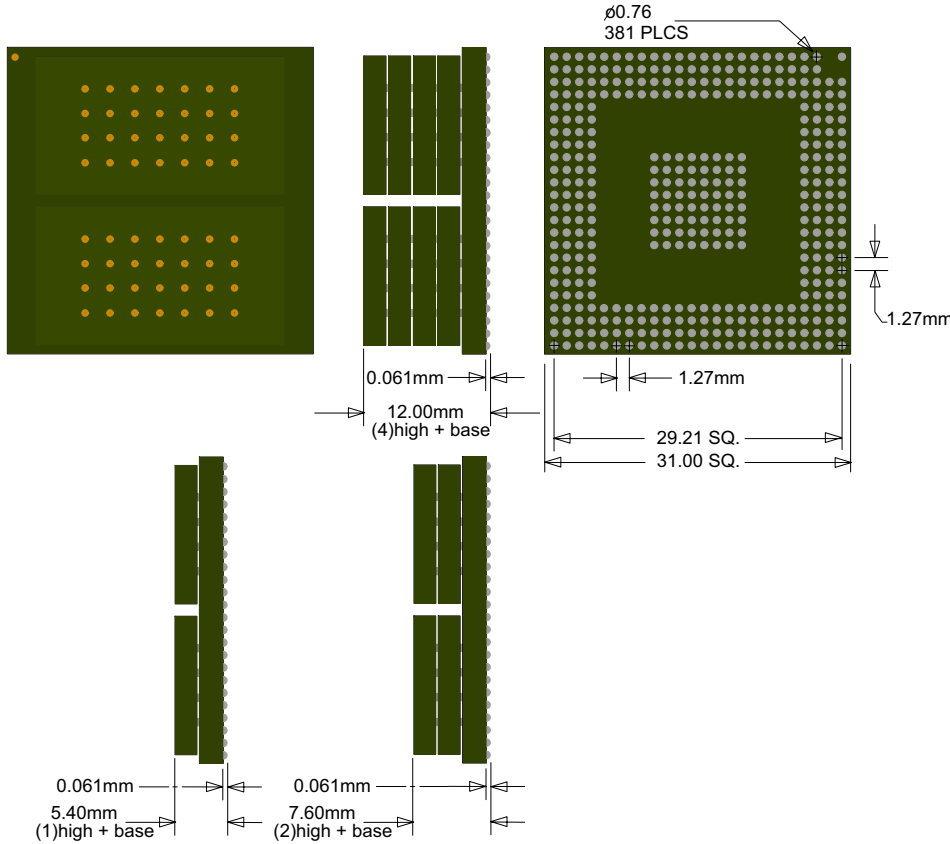
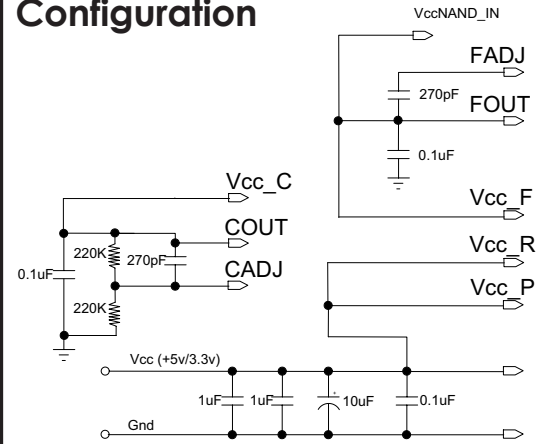


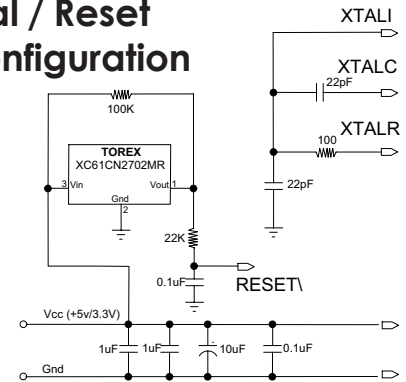
Mechanical Diagram



Supply Power Configuration



Xtal / Reset Configuration



SIGNAL NAME	LOCATION/BALL	SIGNAL NAME	LOCATION/BALL
IDE_A0	F1,F2,F3,G4	FC_WAIT	A5,B5,C5,D6
IDE_A1	D1,D2,D3,E4	FC_PRESET	A6,B6,C6,D7
IDE_A2	A4,B4,C4,D5	FC_IDEEN	A7,B7,C7,D8
IDE_D0	H1,H2,H3,J4	FC_WP_EN1	M12,M13,N12,N13
IDE_D1	K1,K2,K3,L4	FC_RESET	AA20,AB21,AC21,AD21
IDE_D2	R1,R2,R3,P4	FC_LED\	G1,G2,G3,H4
IDE_D3	M24,M23,M22,N21	FC_MODE	A12,B12,C12,D13
IDE_D4	J24,J23,J22,K21	FC_WP_EN	W1,W2,W3,V4
IDE_D5	F24,F23,F22,G21	XTALR	AA12,AB11,AC11,AD11
IDE_D6	D24,D23,D22,E21	XTALC	AA11,AB10,AC10,AD10
IDE_D7	A21,B21,C21,D20	XTALI	AA10,AB9,AC9,AD9
IDE_D8	P1,P2,P3,N4	NC	D10,D11,L22,L23,L24,M12,M13,M21,N12,N13, R21,T21,W4,AA4,AA6,AA9,AA14,AA15,AA17, AA18,AA21,AB3,AB22,AC3,AC22,AD3,AD22
IDE_D9	T1,T2,T3,R4	Vcc_C	A13,B13,C13,D14,A15,B15,C15,AA13,AB14, AC14,AD14,AB12,AC12,AD12
IDE_D10	V1,V2,V3,U4	Vcc_R	T24,T23,T22,U21,V24,V23,V22
IDE_D11	K24,K23,K22,L21	Vcc_F	AA24,AA23,AA22,Y21,AA16,AB17,AC17, AD17,AB15,AC15,AD15,AA1,AA2,AA3,Y4,Y1 Y2,Y3
IDE_D12	H24,H23,H22,J21	Vcc_P	A8,B8,C8,D9,A10,B10,C10,G24,G23,G22, H21,L1,L2,L3,M4,N1,N2,N3
IDE_D13	E24,E23,E22,F21	FADJ	R24,R23,R22,P21
IDE_D14	A22,B22,C22,D21	CADJ	W24,W23,W22,V21
IDE_D15	A20,B20,C20,D19	COUT	Y24,Y23,Y22,W21
IDE_INTRQ	A11,B11,C11,D12	VccNAND_IN	K9,K16,L9,L10,L15,L16,M9,M10,M11,M14,M15
IDE_IOWR\	A16,B16,C16,D15	VccPLN_IN	J9,J10,J11,J12,J13,J14,J15,J16,K10,K11,K12,K13,K14,K15,L11,L12,L13,L14,AA19,AB19,AB20 AC18,AC19,AC20,AD18,AD19,AD20,AA5,AB4,AB5,AB6,AC4,AC5,AC6,AD4,AD5,AD6
IDE_IORD\	A17,B17,C17,D16	GndPLN	A1,A9,A14,A23,A24,B9,B14,B23,B24,C1,C2,C9,C14,C23,C24,M1,M2,M3,U22,U23,U24,AB1, AB2,AB13,AB16,AB23,AB24,AC1,AC2,AC13,AC16,AC23,AC24,AD1,AD2,AD13,AD16,AD23, AD24
IDE_CS0\	A18,B18,C18,D17		
IDE_CS1\	A19,B19,C19,D18		
IDE_PIOIS16\	U1,U2,U3,T4		
IDE_PDIG	J1,J2,J3,K4		
IDE_DMARQ\	A3,B3,C3,D4		
IDE_DMARQ\	E1,E2,E3,F4		

Pin Definition Table

