





# LED LAMP

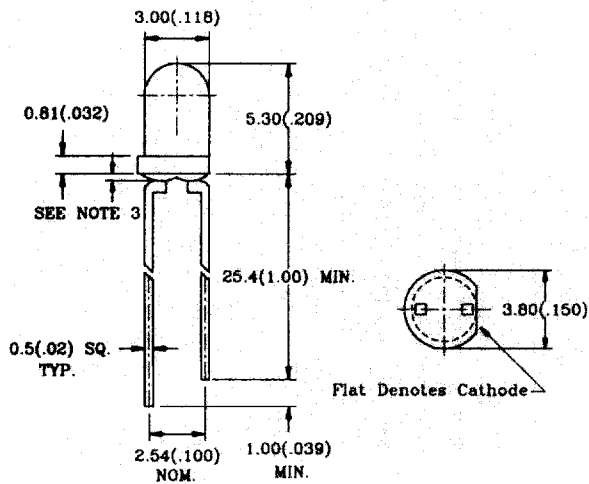
## ULTRA BRIGHT LED LAMPS (ROUND TYPES)

Package	Part No.	Chip		Lens Appearance	Absolute Maximum Ratings				Electro-optical Data(At 20mA)			Viewing Angle 2θ 1/2 (deg)	Drawing No.	
		Emitted Color	Peak Wave Length λ P(nm)		Δλ (nm)	Pd (mW)	If(mA)	Peak If(mA)	Vf(V)		Iv Typ. (acd)			
									Typ.	Max.				
	T-1 Standard 1.0"Lead 3φ	BL-B6131	Super Red	660	Red Diffused	20	60	30	150	1.7	2.6	120.0	40	L-48
		BL-BD131	Super Red	660	Red Diffused	20	60	30	150	1.7	2.6	150.0	40	
		BL-B6331	Super Red	660	Water Clear	20	60	30	150	1.7	2.6	350.0	20	
		BL-BD331	Super Red	660	Water Clear	20	60	30	150	1.7	2.6	500.0	20	
		BL-BF131	Ultra Red	660	Red Diffused	20	80	30	150	2.0	2.6	300.0	40	
		BL-BF331	Ultra Red	660	Water Clear	20	80	30	150	2.0	2.6	650.0	20	
		BL-BU131	Ultra Red	645	Red Diffused	20	80	30	150	2.0	2.6	300.0	40	
		BL-BU331	Ultra Red	645	Water Clear	20	80	30	150	2.0	2.6	650.0	20	
		BL-BK131	Super Yellow	595	Yellow Diffused	15	100	30	150	2.1	2.6	350.0	40	
		BL-BK331	Super Yellow	595	Water Clear	15	100	30	150	2.1	2.6	1000.0	20	
		BL-BJ131	Super Orange	620	Orange Diffused	17	100	30	150	2.0	2.6	400.0	40	
		BL-BJ331	Super Orange	620	Water Clear	17	100	30	150	2.0	2.6	1000.0	20	
	T-1 Standard 1.0"Lead 3φ	BL-B6341	Super Red	660	Water Clear	20	60	30	150	1.7	2.6	350.0	20	L-49
		BL-BD341	Super Red	660	Water Clear	20	60	30	150	1.7	2.6	500.0	20	
		BL-BF341	Ultra Red	660	Water Clear	20	60	30	150	1.7	2.6	650.0	20	
		BL-BU341	Ultra Red	645	Water Clear	20	60	30	150	1.7	2.6	650.0	20	
		BL-BK341	Super Yellow	595	Water Clear	15	100	30	150	2.1	2.6	1000.0	20	
		BL-BJ341	Super Orange	620	Water Clear	17	100	30	150	2.0	2.6	1000.0	20	
	T-1 3/4 Standard 1.0"Lead 5φ	BL-B6134	Super Red	660	Red Diffused	20	60	20	150	1.7	2.6	150.0	40	L-50
		BL-BD134	Super Red	660	Red Diffused	20	60	20	150	1.7	2.6	200.0	40	
		BL-B6334	Super Red	660	Water Clear	20	60	20	150	1.7	2.6	500.0	18	
		BL-BD334	Super Red	660	Water Clear	20	60	20	150	1.7	2.6	700.0	18	
		BL-BF134	Ultra Red	660	Red Diffused	20	80	20	150	2.0	2.6	350.0	40	
		BL-BF334	Ultra Red	660	Water Clear	20	80	20	150	2.0	2.6	1500.0	18	
		BL-BU134	Ultra Red	645	Red Diffused	20	80	20	150	2.0	2.6	350.0	40	
		BL-BU334	Ultra Red	645	Water Clear	20	80	20	150	2.0	2.6	1500.0	18	
		BL-BK134	Super Yellow	595	Yellow Diffused	15	100	30	150	2.1	2.6	450.0	40	
		BL-BK334	Super Yellow	595	Water Clear	15	100	30	150	2.1	2.6	2000.0	18	
		BL-BJ134	Super Orange	620	Orange Diffused	17	100	30	150	2.0	2.6	450.0	40	
		BL-BJ334	Super Orange	620	Water Clear	17	100	30	150	2.0	2.6	1800.0	18	
	T-1 3/4 1.0"Lead 5φ	BL-B6337M	Super Red	660	Water Clear	20	60	30	150	1.7	2.6	600.0	8	L-51
		BL-BD337M	Super Red	660	Water Clear	20	60	30	50	1.7	2.6	800.0	8	
		BL-BF337M	Ultra Red	645	Water Clear	20	80	20	150	2.0	2.6	1500.0	8	
		BL-BK337M	Super Yellow	595	Water Clear	15	100	30	150	2.1	2.6	2200.0	8	
		BL-BJ337M	Super Orange	620	Water Clear	17	100	30	150	2.0	2.6	2000.0	8	

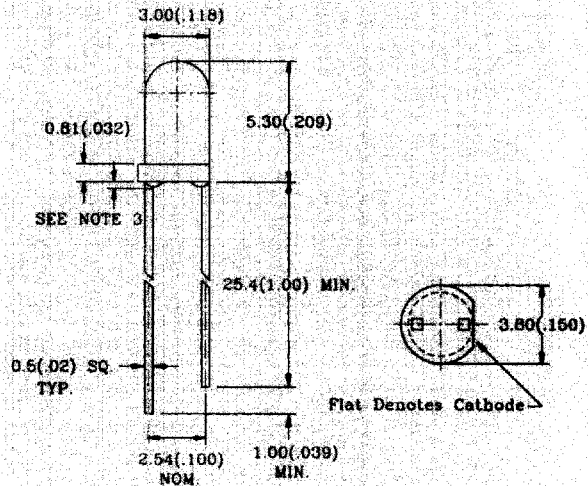
Remark: • Hi-Eff Red — High-Efficiency Red  
 • Trans — Transparent  
 • 2θ 1/2 The off-axis angle at which the luminous intensity is half the axial luminous intensity

# LED LAMP

L-48 BL-Bxx31 Series



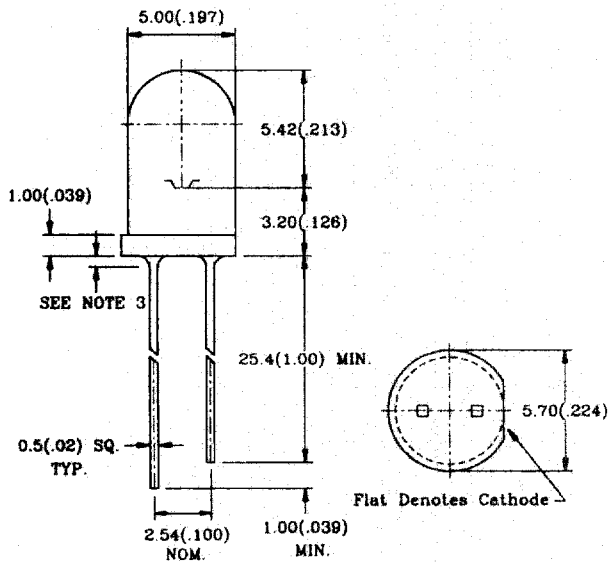
L-49 BL-Bxx41 Series



PACKAGE DIMENSIONS

- NOTES:
1. All Dimensions are in millimeters (inches).
  2. Tolerance is  $\pm 0.25\text{mm}$  (.010") unless otherwise specified.
  3. Protruded resin under flange is 1.5mm (.059") max.
  4. Lead spacing is measured where the leads emerge from the package.
  5. Specifications are subject to change without notice.

L-50 BL-Bxx34 Series



L-51 BL-Bxx37M Series

