

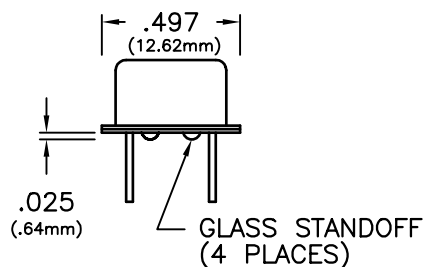
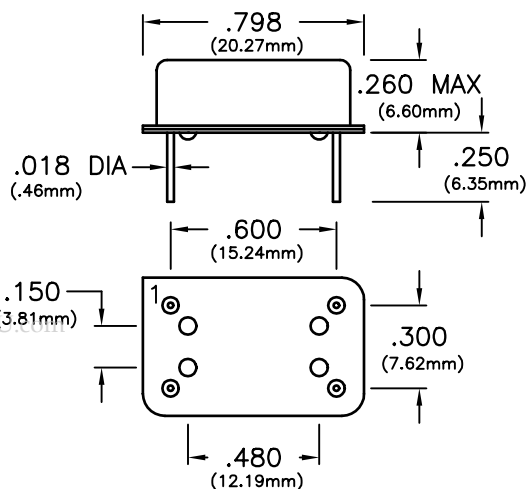


CONNOR-WINFIELD CORPORATION

AURORA, IL. 60505
 PHONE (630) 851-4722
 FAX (630) 851-5040

14 PIN DIP HCMOS

SPECIFICATIONS	MPH61	MPH62	MPH63	MPH64	
Frequency Range	250KHz to 50MHz				
Frequency Stability	±25ppm	±50ppm	±100ppm	±20ppm	
	(Inclusive of calibration tolerance at 25°C, operating temperature range, input voltage change, load change, aging, shock and vibration)				
Temperature Range	-40°C to +85°C				
Output	Waveform	HCMOS Squarewave			
	Load	15pF			
	Voltage	Voh	4.5V Minimum		
		Vol	0.5V Maximum		
	Current	Ioh	-4.0mA		
		Iol	4.0mA		
	Duty Cycle	48/52 measured at 2.5V			
Rise/Fall Time	10nS Maximum				
Start Up Time	10mS Maximum				
Supply Voltage	+5Vdc ±10%				
Supply Current	25mA Maximum				
Package	All metal, hermetically sealed, welded package				



PIN	CONNECTION
1	N/C
7	GROUND (CASE)
8	OUTPUT
14	(+) SUPPLY

Dimensional Tolerance ±.005

Specifications subject to change without notice

BULLETIN #: HC098
 PAGE 1 OF 1

REV: 00
 DATE: 5/13/95

ISSUED BY: _____