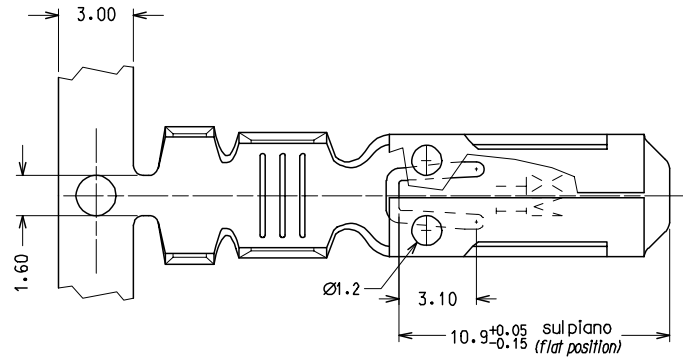
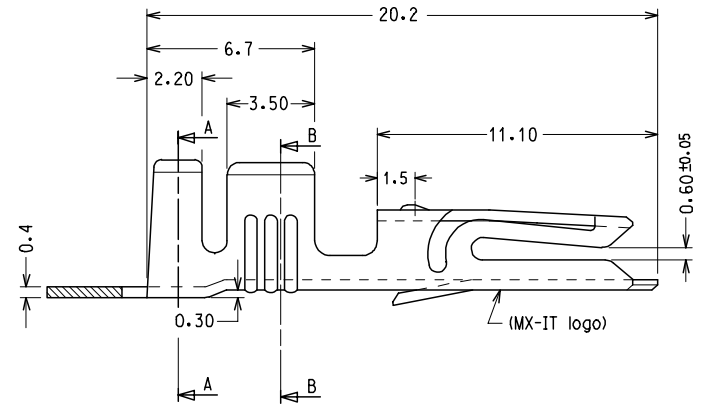
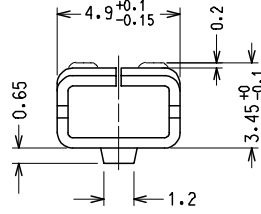
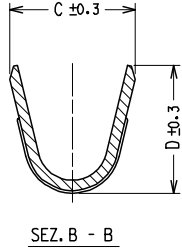
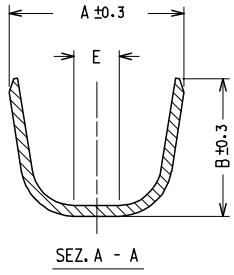


10 9 8 7 6 5 4 3 2 1



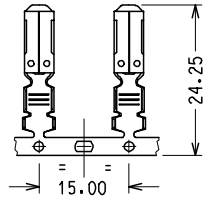
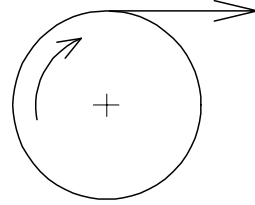
CODICE P/N	FINITURA PLATING	MATERIALE MATERIAL	SEZ. RAME WIRE RANGE	Ø ISOLANTE INS. RANGE	DIMENSIONI					PZ./BOBINA PCS/REEL
					A	B	C	D	E	
94518 - 0100	GREGGIO/ PLAIN	OTTONE BRASS	0.5 - 1.0	2.2 - 2.8	4.5	4.5	3.0	3.0	/	3000
94518 - 0101	STAGNATO/ TIN									
94518 - 0120	GREGGIO/ PLAIN	BRONZO FOSF. PHOSP.BRONZE	1.0 - 2.5	2.6 - 3.8	5.5	5.5	4.1	4.3	/	2500
94518 - 0121	STAGNATO/ TIN									
94518 - 0200	GREGGIO/ PLAIN	OTTONE BRASS	1.0 - 2.5	2.6 - 3.8	5.5	5.5	4.1	4.3	/	2500
94518 - 0201	STAGNATO/ TIN									
94518 - 0220	GREGGIO/ PLAIN	BRONZO FOSF. PHOSP.BRONZE	1.5 - 3.0	PER CAVI SINGOLI E DOPPI (VEDERE FOGLIO 2/2)	7.3	5.1	5.2	4.0	1.8	2500
94518 - 0221	STAGNATO/ TIN									
94518 - 0400	GREGGIO/ PLAIN	OTTONE BRASS	1.5 - 3.0	PER CAVI DOPPI (VEDERE FOGLIO 2/2)	7.3	5.1	5.2	4.0	1.8	2500
94518 - 0401	STAGNATO/ TIN									
94518 - 0300	GREGGIO/ PLAIN	OTTONE BRASS	4.0	3.4 - 3.7	5.5	5.5	5.0	5.1	/	2500
94518 - 0301	STAGNATO/ TIN									

CONFEZIONE:
N° 5 bobine con carta intermedia per box.

PACKING:
N° 5 reels with Interleaf paper/box

Std. Descr.: HNF TERM (material-plating-wire range)

SENSO DI SVOLGIMENTO PER MINIAPPLICATORE
DIRECTION OFF REEL



EC NO: Z2005-0129 DRAWN:FGOTTARD 2005/03/31 CHKD:RSANDANO 2005/03/31 APPR:GZUIN 2005/04/01	DESCRIPTION	QUALITY SYMBOLS ▽=0 ◁=0	GENERAL TOLERANCES (UNLESS SPECIFIED)		DIMENSION STYLE MM ONLY		SCALE 5:1	DESIGN UNITS METRIC	FIRST ANGLE PROJECTION	
			4 PLACES ± --- ± ---	3 PLACES ± --- ± ---	2 PLACES ± 0.10 ± ---	1 PLACE ± 0.2 ± ---	ANGULAR ± 2 °	DRAWN BY FGOTTARD	DATE 1992/10/01	TITLE HNF FEMALE TERMINAL FOR 6.3 X 0.8 TABS
DRAFT WHERE APPLICABLE MUST REMAIN WITHIN DIMENSIONS			SEE CHART		APPROVED BY MPREVIAT		DATE 1992/10/01	MOLEX INCORPORATED		
SIZE A3			THIS DRAWING CONTAINS INFORMATION THAT IS PROPRIETARY TO MOLEX INCORPORATED AND SHOULD NOT BE USED WITHOUT WRITTEN PERMISSION		MATERIAL NO.		DOCUMENT NO. SD-94518-005	SHEET NO. 1 OF 1		

9 8 7 6 5 4 3 2 1