



MULTIRATE 10-GBPS SONET/SDH/10GE/FEC MUX

FEATURES

- 10-Gigabit MSA (Multi-Source Agreement) compliant
- Fully integrated Clock Multiplication Unit (CMU) supports multiple rates: OC-192, 10GE, 10GFC and its FEC rates
- 16:1 multiplexer with LVDS data input
- Configurable divide by 16 or 32 clock modes
- Configurable LVDS input clock-to-data bus timing skew control
- On-chip 16 x 10 FIFO eliminates system timing issues
- Serial data polarity invert
- Bit order reversal
- Low Jitter 10 Gigabit Output Clock for retiming lased Tx clock output
- Lock detect
- Core power supply: 1.8V
- I/O power supply: CML at 1.8V, LVDS and CMOS at 1.8V or 3.3V
- Power consumption: 450 mW
- Standard CMOS fabrication process
- 127-pin BGA package available in standard and Pb-free version

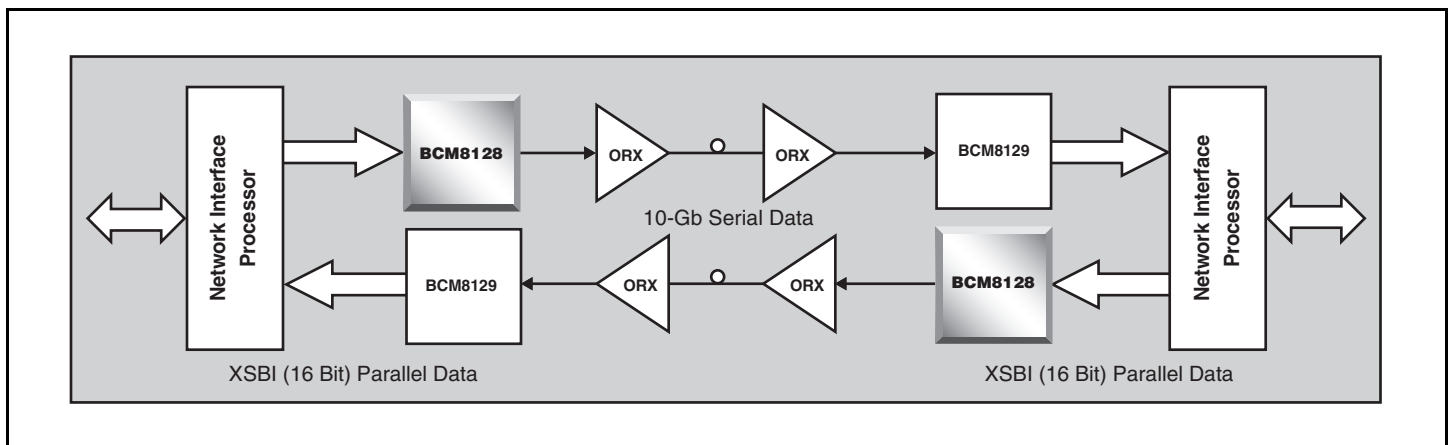
SUMMARY OF BENEFITS

- Compliant with Optical Internetworking Forum (OIF), Telcordia, ITU-T, ANSI, and IEEE 802.3ae industry standards.
- Reduces design cycle and time to market.
- High level of integration allows for higher port density solutions.
- Uses the most effective silicon economy of scale for CMOS-based devices.
- Low-power consumption eliminates the need for external cooling sources.

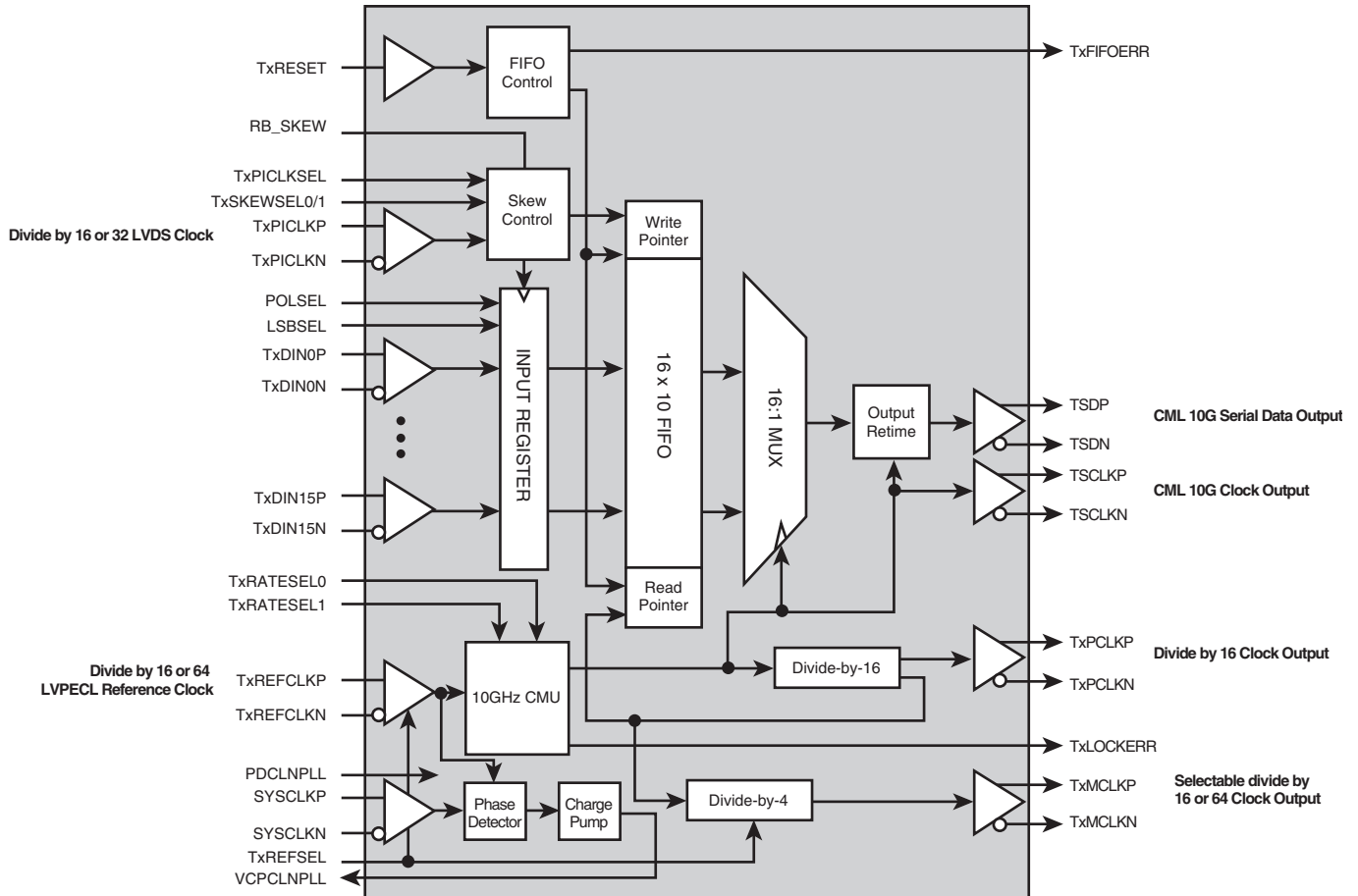
APPLICATIONS

- OC-192/STM-64/10GE transmission equipment
- SONET/SDH optical modules
- ADD/DROP multiplexers
- Digital cross-connects
- ATM switch backbones
- SONET test equipment
- Terabit routers
- Edge routers

BCM8128 Functional Block Diagram



OVERVIEW



The BCM8128 is a fully integrated MSA-compliant quad-rate SONET/SDH/10GE transmitter operating at OC-192 (9.953 Gbps), 10GE (10.3125 Gbps), 10GFC (10.513 Gbps), and Forward Error Correction (FEC) data rates (10.664/10.709, 11.096, or 11.31 Gbps) with serializer and Clock Multiplication Unit (CMU). The low-jitter LVDS interface and onboard low-jitter PLL exceed Optical Internetworking Forum (OIF), IEEE 802.3ae, Telcordia, ANSI, and ITU-T jitter standards.

The BCM8128 reference clock input frequency is user-selectable to the line rate divided by either 16 or 64. The two reference clock outputs can be squelched under user control.

The BCM8128 provides skew control between the LVDS transmit parallel input clock and data to accommodate difficult timing variances. A 10-word FIFO decouples the parallel input timing domain from the serial output timing domain.

The BCM8128 provides a CML serial output clock to retime the data at the optical interface.

The BCM8128 can be powered with a single 1.8V supply or dual 1.8/3.3V supply without any special power supply sequencing requirements.

The BCM8128 comes in a 11 x 11 mm, 127-pin BGA package.

Broadcom®, the pulse logo, Connecting everything®, and the Connecting everything logo are among the trademarks of Broadcom Corporation and/or its affiliates in the United States, certain other countries and/or the EU. Any other trademarks or trade names mentioned are the property of their respective owners.

Connecting
everything®



BROADCOM CORPORATION
16215 Alton Parkway, P.O. Box 57013
Irvine, California 92619-7013

© 2006 by BROADCOM CORPORATION. All rights reserved.

8128-PB03-R 02/02/06

Phone: 949-450-8700
Fax: 949-450-8710
E-mail: info@broadcom.com
Web: www.broadcom.com