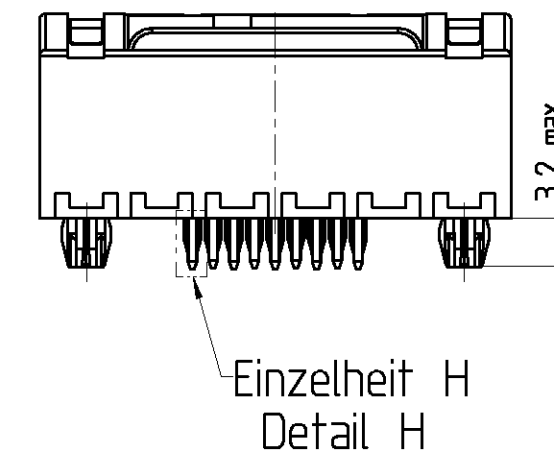
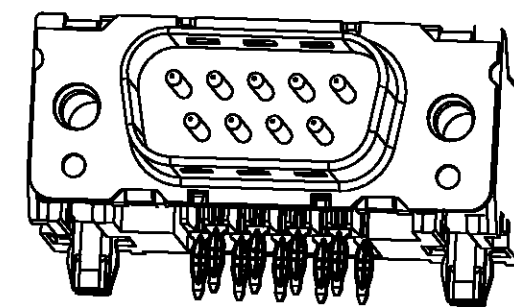
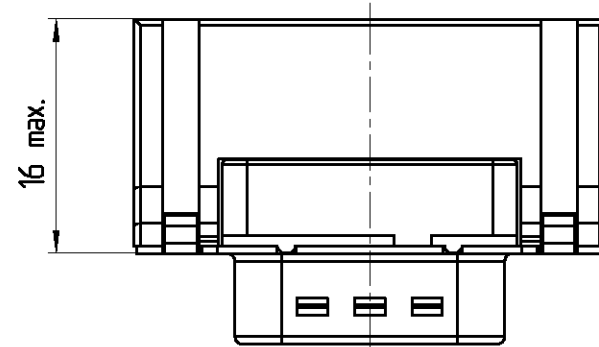
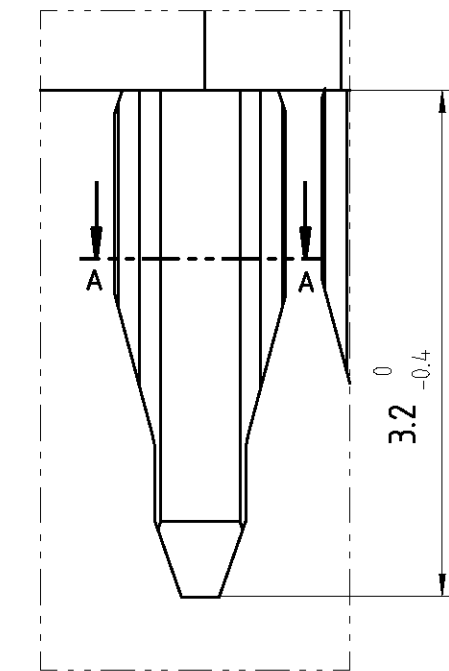


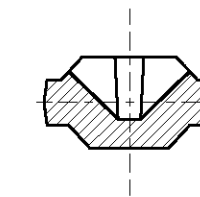
alle Kontakte/all contacts  
 $\phi$  0.13 (M)



Einzelheit H (20:1)  
Detail H (20:1)



Schnitt AA (20:1)  
Section (20:1)

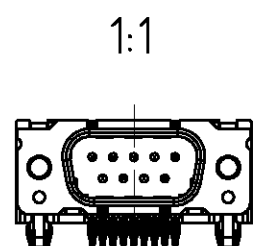


- 4) Plated-through hole ; incl. plating  
suitable for compliant press-in zone  
PCB-plating-through : 5...15  $\mu$ m Sn or SnPb over min. 25  $\mu$ m Cu  
Drilled holes :  $\phi$ 1.15  $\pm$ 0.025 and  $\phi$ 3.15  $\pm$ 0.025
- 3) torquereetention  $\geq$  70 Ncm
- 2) according to DIN 41611 p.5, DIN IEC 353-5; incl. plating
- 1) according to DIN 41652 p.2 and p.4
  
- 4) Durchmetallisierte Löcher; incl. Oberflächenbehandlung  
Geeignet für elastische Einpreßzonen  
Metallierung des Loches: 5...15  $\mu$ m Sn oder SnPb über min. 25  $\mu$ m Cu  
Bohrdurchmesser:  $\phi$ 1.15  $\pm$ 0.025 und  $\phi$ 3.15  $\pm$ 0.025
- 3) Verdrehsicherheit  $\geq$  70 Nm
- 2) Nach DIN 41611 T.5, DIN IEC 352-5; incl. Oberflächenbehandlung
- 1) Nach DIN 41652 T.2 und T.4

Sachnr./Ordercode V23529-R1****-	Polzahl n Contacts n	Maß/Dimension				
		A	B	C	D	L
C*09	09	31.19	16.79	25.00 $^{+0.12}_{-0.13}$	2.74	6.12
C*15	15	39.52	25.12	33.30 $^{+0.15}_{-0.1}$	2.74	6.12
C*25	25	53.42	38.84	47.04 $^{+0.13}_{-0.13}$	2.76	5.99
C*37	37	69.70	55.50	63.50 $^{+0.13}_{-0.13}$	2.76	5.99

Anforderungsstufe 1)  
performance level 1)

Sachnr./Ordercode V23529-	Maß/Dimension $\phi$ G
R1*02-C***	M3
R1*03-C***	4-40UNC

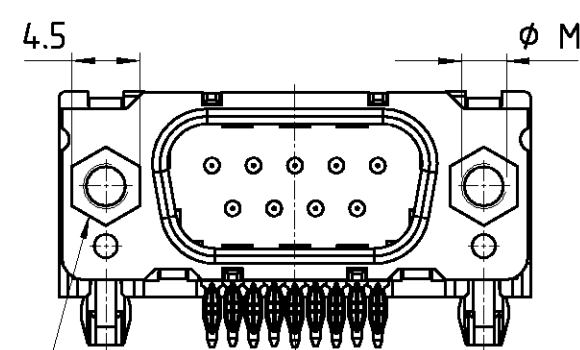


Dargestellt wird die 9-polige Ausführung V23529-R1202-C209  
On the drawing : the 9 pole version V23529-R1202-C209

<small>PROPRIETARY</small> THIS INFORMATION IS CONFIDENTIAL AND PROPRIETARY TO TYCO ELECTRONICS CORPORATION AND ITS WORLDWIDE SUBSIDIARIES AND AFFILIATES. IT MAY NOT BE DISCLOSED TO ANYONE, OTHER THAN TYCO ELECTRONICS PERSONNEL, WITHOUT WRITTEN AUTHORIZATION FROM TYCO ELECTRONICS CORPORATION, HARRISBURG, PENNSYLVANIA USA.				CHANGES TO THIS DRAWING MUST BE DONE ONLY IN CAD	PAPER SIZE A2
APPLICABLE SPEC.:				FINISH	
DIMENSIONS APPLY				PLATING	
<b>tyco</b> Tyco Electronics Corporation Oostkamp - Belgium				SCALE 2:1, 20:1, 1:1	WEIGHT
<b>Electronics</b>				MATERIAL	
A3 SR10-0222-02 21.5.02 KV A2 SR10-0095-02 13.2.02 KV A1 SR10-0154-01 13.4.01 KV A WO 00/7008 16.6.00 VS B3 W000/2525 25.05.00 KV B2 W097/4510 14.8.97 RST B1 23.1.97 RST B1 7.2.96 RST	DATE 7.2.96 NAME Sterckx APP. EC CS CI	NAME Sub-D 90° abgewinkelt Standard Einpreß Stiftleiste D-Sub 90° angled standard press fit Pin	NO. V23529-R****-C****-7427	SHT. 1	OF 3
REV. CHANGE ORDER	DATE	APP.	CUSTOMER DRAWING No.: C 2-1393481-5		

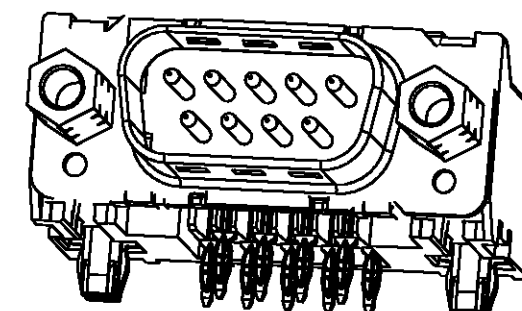
PROPRIETARY: THIS INFORMATION IS CONFIDENTIAL AND PROPRIETARY TO TYCO ELECTRONICS CORPORATION AND ITS WORLDWIDE SUBSIDIARIES AND AFFILIATES. IT MAY NOT BE DISCLOSED TO ANYONE, OTHER THAN TYCO ELECTRONICS PERSONNEL, WITHOUT WRITTEN AUTHORIZATION FROM TYCO ELECTRONICS CORPORATION, HARRISBURG, PENNSYLVANIA USA.

Ausführung mit Gewindebolzen  
 Version with studbolt  
 V23529-R1\*04/R1\*05-C\*\*\*



verdrehsicherheit: min. 60 Ncm  
 Torqueretention: min. 60 Ncm

Sachnr./Ordercode V23529-	Maß/Dimension Ø M
R1*04-C***	M3
R1*05-C***	4-40UNC



Verpreßhinweis  
 press-in information

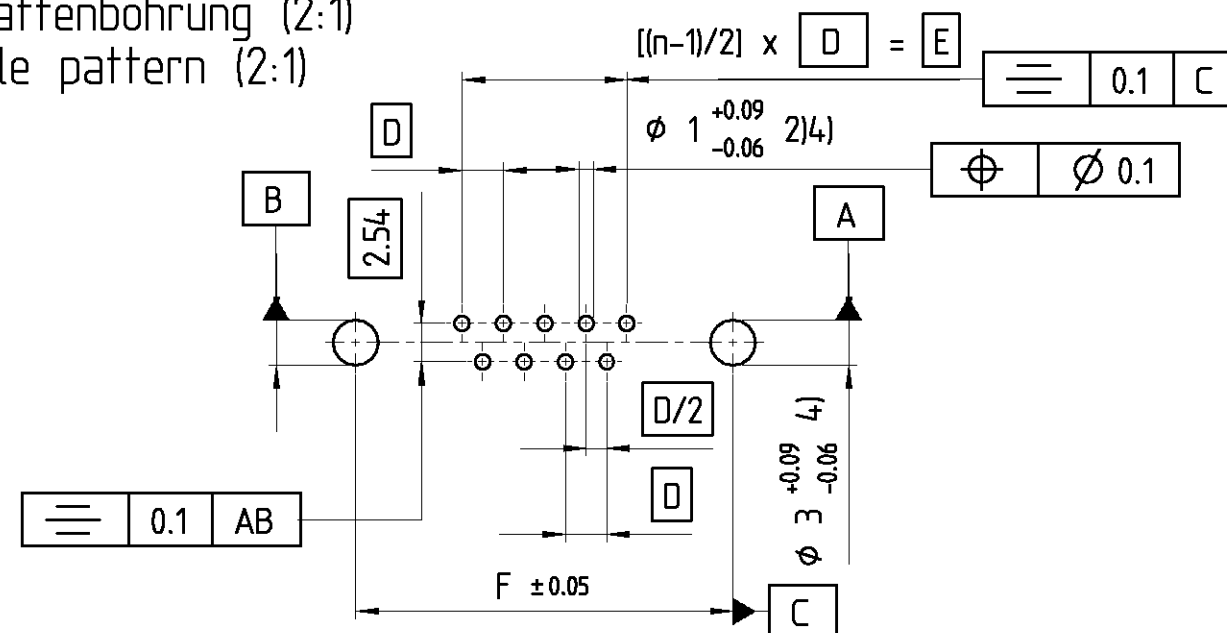
Einpressen über Kunststoff mit:  
 - 2-Hub-Pressen 60kN : 1-1393491-3  
 - Einpreßmaschine 60/100 kN : 4-1393488-2  
 Zu verwendenden Werkzeuge :  
 - Drückstück : 1393490-6  
 - Amboß : 3-1393489-5  
 Einstellhöhe : Abstand zwischen LP und  
 angedrucktem Stempel : 11.15 bis 11.3mm

pressing in via the plastic body :  
 - 2-stroke press 60kN : 1-1393491-3  
 - press-fit machine 60/100kN : 4-1393488-2

pressing-in tools :  
 -Compression tool : 1393490-6  
 -anvil : 3-1393489-5  
 set-up heights : distance between PCB and  
 compression tool : 11.15 to 11.3 mm

Erläuterungen siehe Seite 1  
 Remarks see page 1

Leiterplattenbohrung (2:1)  
 PCB hole pattern (2:1)



Sachnr./Ordercode V23529-R1***-	Polzahl n Contacts n	Maß/Dimension		
		D	E	F
C*09	09	2.74	10.96	25.00
C*15	15	2.74	19.18	33.30
C*25	25	2.76	33.12	47.04
C*37	37	2.76	49.68	63.50

Anforderungsstufe 1)  
 performance level 1)

APPLICABLE SPEC:		FINISH	
DIMENSIONS APPLY		PLATING	
SCALE 2:1		WEIGHT	
MATERIAL			
NAME		Sub-D 90° abgewinkelt Standard Einpreß Stiffleiste D-Sub 90° angled standard press fit Pin	
NO.		V23529-R***-C***-7427	
SHT.		2	
REV. CHANGE ORDER		DATE APP. CUSTOMER DRAWING No.: C 2-1393481-5	
OF		3	

A3 see page 1

Sub-D 90° abgewinkelt Einpreß // D-Sub 90° press-in

V 2 3 5 2 9 - + \* \* \* \* - + \* \* \*

EINBAUHÖHE // MOUNTING HEIGHT

R = Standardbauhöhe 7.3mm // Standard Style 7.3 mm

AUFBAU // CONFIGURATION

1 = isoliert // insulated  
2 = geschirmt 1) // shielded 1)

BESCHRIFTUNG // MARKING

1 = tyco // tyco  
2 = Neutral // neutral  
3 = Sonderbeschriftung A // special marking A  
4 = Sonderbeschriftung B // special marking B  
5 = Sonderbeschriftung C // special marking C

ANSCHLUßAUSFÜHRUNG // CONTACT TYPE

0, 1 = EP-Stiel 3.2 mm // press-in pin 3.2 mm long

BEFESTIGUNG Steckseite/Leiterplatteseite // MOUNTING CONNECTOR/PCB

01 = Loch Ø3 / ohne Massekontakt 1) // hole Ø3 / without grounding  
02 = Gewinde M3 / mit Massekontakt // thread M3 / with grounding  
03 = Gewinde 4-40 UNC / mit Massekontakt // thread 4-40 UNC / with grounding  
04 = Gewindebolzen M3 / mit Massekontakt // studbolt srewlock M3 / with grounding  
05 = Gewindebolzen 4-40 UNC / mit Massekontakt // studbolt srewlock 4-40 UNC / with grounding

1) in Vorbereitung // in preparation

STECKERPOLZAHL // NO OF CONTACTS

09 = 9-polig // 9-contact  
15 = 15-polig // 15-contact  
25 = 25-polig // 25-contact  
37 = 37-polig // 37-contacto rea

ANFORDERUNGSSTUFE // PERFORMANCE LEVEL


2 = Anf. II // PL II

STECKERART // CONNECTOR TYPE

C = Stiftleiste mit Schirmfiederung // male connector with grounding fingers

Active part numbers. Contact Tyco Electronics for other configuration availability

Old Part Number	Tyco Part Number
V23529-R1102-C209	2-1393481-5
V23529-R1102-C215	2-1393481-6
V23529-R1102-C225	2-1393481-7
V23529-R1102-C237	2-1393481-8
V23529-R1103-C209	3-1393481-2
V23529-R1103-C215	3-1393481-3
V23529-R1103-C225	3-1393481-4
V23529-R1103-C237	2-1392010-7
V23529-R1105-C209	3-1393481-8
V23529-R1105-C215	3-1393481-9
V23529-R1105-C225	2-1393497-7
V23529-R1105-C237	4-1393481-0

<small>PROPRIETARY THIS INFORMATION IS CONFIDENTIAL AND PROPRIETARY TO TYCO ELECTRONICS CORPORATION AND ITS WORLDWIDE SUBSIDIARIES AND AFFILIATES. IT MAY NOT BE DISCLOSED TO ANYONE, OTHER THAN TYCO ELECTRONICS PERSONEL, WITHOUT WRITTEN AUTHORIZATION FROM TYCO ELECTRONICS CORPORATION, HARRISBURG, PENNSYLVANIA USA.</small>		CHANGES TO THIS DRAWING MUST BE DONE ONLY IN CAD	PAPER SIZE A2
APPLICABLE SPEC.:		FINISH	
 Tyco Electronics Corporation Oostkamp - Belgium		DIMENSIONS APPLY	PLATING
SCALE		WEIGHT	
MATERIAL		NAME Sub-D 90° abgewinkelt Standard Einpreß Stiftleiste D-Sub 90° angled standard press fit Pin	
NO.		SHT.	
A3 see page 1		V23529-R****-C****-7427 3	
REV.	CHANGE ORDER	DATE	APP.
CUSTOMER DRAWING No.: C 2-1393481-5			OF 3

## Current Brand View

AMP

[View All Tyco Electronics Brands](#)

Click to activate links to all other products

## Subminiature and Microminiature D Connectors

## Standard Board Mount Connectors

AMP

3-1393481-8 -- 1 of 2 products

Active

[Active](#)

## (Tyco Electronics P/N: 3-1393481-8)

<a href="#">Next</a>	<a href="#">Sales Information</a>	<a href="#">AMP ACES</a>	<a href="#">Step Search Screen</a>
		<a href="#">Related Documents</a>	<a href="#">General Information</a>
		<a href="#">Pricing</a>	<a href="#">Product Availability</a>

Please use the customer drawing for all design activity.

- Customer Drawing: 2-1393481-5, Rev. A3

Document Title: D-Sub 90° angled standard press-fit pin

[217445.pdf](#) [217445.pdf](#) (142K)

*The photographs and/or line drawings below are representative images of a product for viewing purposes only.*

[Schematic](#)
[PCB Layout](#)

## Searchable Features:

Brand:	AMP
No. of Positions:	9
Gender:	Plug
PCB Mount Angle:	Right Angle
Mating Connector Lock:	With
Mating Connector Lock Type:	4-40 UNC Female Screwlocks
PCB Retention Feature:	With
PCB Retention Method Feature:	Mounting Post, Press-Fit Posts
Shell Type:	Front Metal Shell
Shell Size:	1

## Other Properties:

Sealed:	No
Application:	Standard
Profile:	Standard - 7.3 mm Installation Height
Post Size (mm [in]):	0.70 [.028]
Contact Shape:	Round
Color:	Black
Contact Material:	Copper Alloy
Insert Flammability Rating:	UL 94V-0
Insert Material:	PBTP/PPS - Glass Fiber-Reinforced Thermoplastic
Shell Material:	Steel

- [Home](#)
- [Part Number Search](#)
- [Text Search](#)
- [Alternate Part Search](#)
- [Multiple Part Comparison](#)
- [Alphabetical Search](#)
- [Brand Search](#)
- [Industry Product Search](#)
- [Product Type Search](#)
- [Product Family Search](#)
- [Competitor Cross Reference](#)
- [Document Number Search](#)
- [Lead Free Solutions](#)
- [Help/Glossary](#)

<b>Panel Attachment:</b>	No
<b>Grounding Clips:</b>	With
<b>Footprint (mm [in]):</b>	11.70 [.460]
<b>Termination Post Length (mm [in]):</b>	3.20 [0.126]
<b>PCB Thickness (mm [in]):</b>	1.60 [0.063]
<b>Contact Mating Area Plating:</b>	Gold over Nickel
<b>Solder Tail Plating:</b>	Tin over Nickel
<b>Grounding Indents:</b>	With
<b>Grounding Straps:</b>	Without
<b>Product Series:</b>	Type E - Press-Fit Terminal
<b>Color Code:</b>	None
<b>Region:</b>	Americas

<b>Shell Plating:</b>	Tin over Nickel
<b>Comment:</b>	Connectors are preloaded with contacts. With M3 screwlocks on request

---

[Copyright](#) and [Privacy Statement](#)

Visit [Tyco International, Ltd.](#)

[Products](#) | [eCatalog](#) | [Brands](#) | [Industries](#) | [eCommerce](#) | [Customer Service](#) | [About](#) | [Home](#)