

CATALOG LISTING  
2TP69 SERIES CHART 1  
PAGE 1 OF 1

ISSUE  
4

REVISIONS

A	C094415	TSM	24 NOV 99
B	202541	GLH	13 MAR 01
C	202714	JAF	30 MAR 01

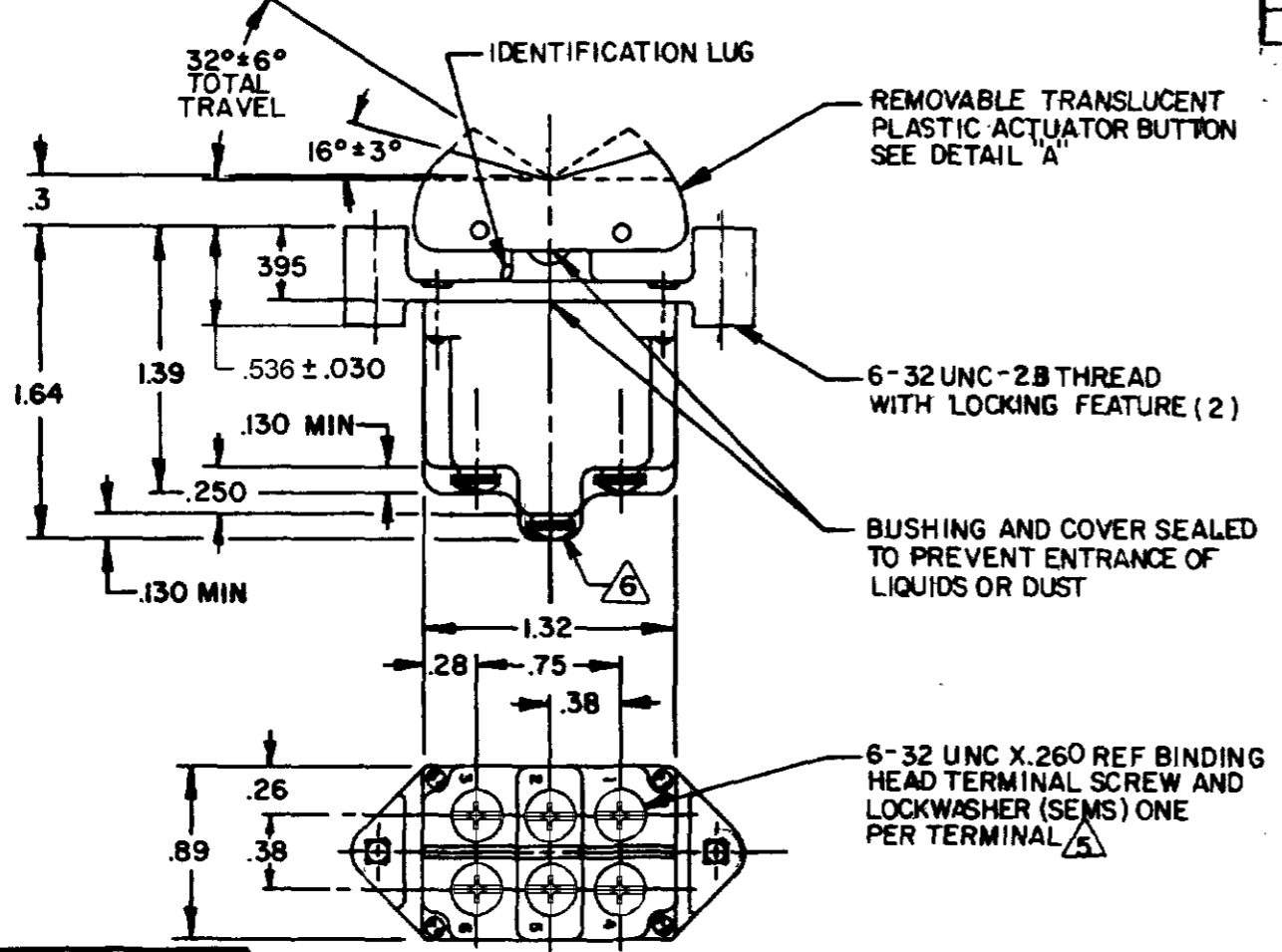
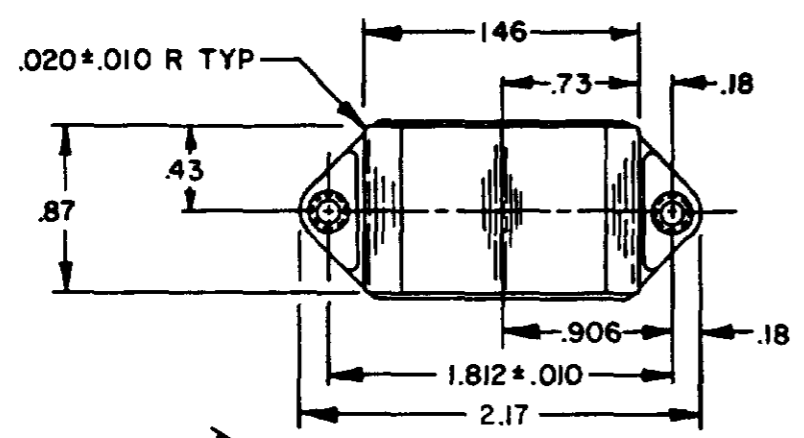
CHECK  
KAG  
21 JUN 94  
DRAWN  
JAF

**MICRO SWITCH**  
FREEPORT ILLINOIS U.S.A.  
A DIVISION OF HONEYWELL  
FED MFG CODE 91929

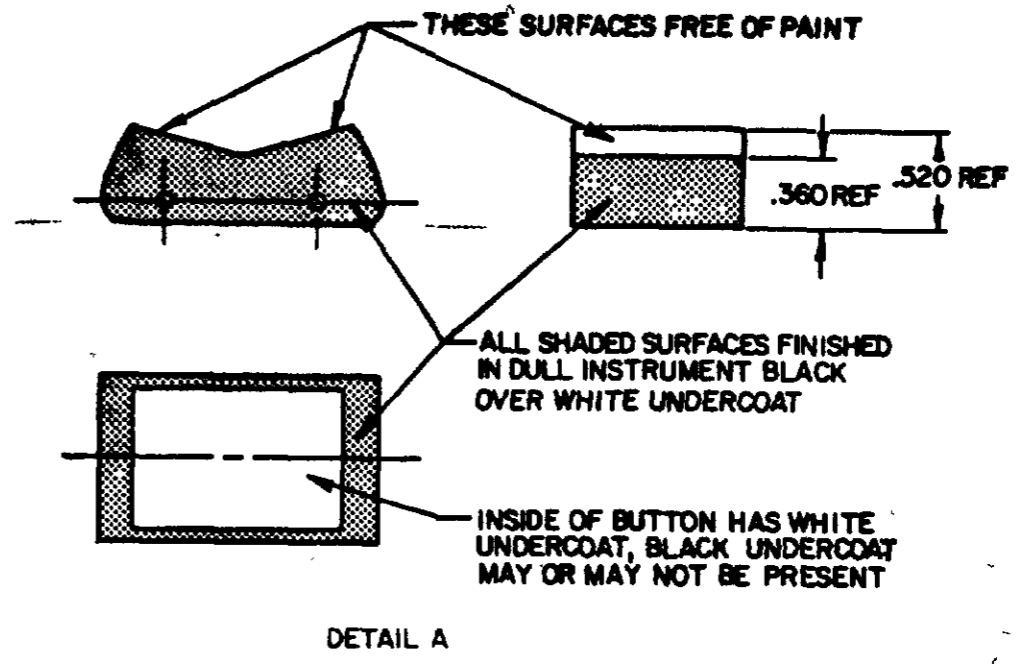
**SWITCH-TOGGLE  
FLUSH KEY**

CATALOG LISTING  
**2TP69 SERIES**  
**CHART 1**

THIS DRAWING COVERS A PROPRIETARY ITEM AND IS THE PROPERTY OF MICRO SWITCH A DIVISION OF HONEYWELL THIS DRAWING IS NOT TO BE COPIED OR USED WITHOUT THE APPROVAL OF MICRO SWITCH



CATALOG LISTING	CIRCUIT MADE WITH BUTTON DEPRESSED ON			ELECTRICAL RATING
	LUG SIDE (1-2,4-5)	CENTER (1-2,4-5)	OPPOSITE LUG (2-3,5-6)	
2TP69-1	ON	OFF	ON	15A-125, 250, 277 VAC 1/2HP-125VAC; 1HP-250, 277VAC CODE 191 5A-120VAC "L"
2TP69-2	OFF	NONE	ON	
2TP69-3	ON	NONE	ON	
2TP69-21	NONE	OFF	ON	
2TP69-31	NONE	ON	ON	
2TP69-4	MOM OFF	NONE	ON	10A-125, 250, 277 VAC 1/4HP-125VAC, 1/2HP-250, 277 VAC CODE 192 3A-125VAC "L"
2TP69-5	MOM ON	OFF	ON	
2TP69-6	MOM ON	NONE	OFF	
2TP69-7, -7NB/6/7	MOM ON	OFF	MOM ON	
2TP69-8	MOM ON	NONE	ON	
2TP69-51	NONE	ON	MOM ON	
2TP69-61	MOM ON	OFF	NONE	



THIRD ANGLE PROJECTION

SCALE FULL

DO NOT SCALE PRINT

TOLERANCES

APPLY TO DIMEN UNITS. CONVERSIONS ARE ONLY FOR REFERENCE. UNLESS NOTED TOLERANCES ARE:

NO PLACES	±	1/16	1/32	1/64
ONE PLACE	±	0.005	0.002	0.001
TWO PLACES	±	0.0005	0.0002	0.0001
THREE PLACES	±	0.00005	0.00002	0.00001

DESIGN UNITS:  METRIC  US CUSTOMARY

RAW MATERIAL-COMMERCIAL STANDARD  
MICRO SWITCH STANDARDS APPLY  
DIMENSIONS ARE TO BE MET BEFORE  
PROTECTIVE COATINGS ARE APPLIED

WEIGHT

- NOTES
- 1 - MICRO SWITCH CATALOG LISTING MARKED ON SIDE OF SWITCH
  - 2 - FOR TERMINAL COVER SEE MICRO SWITCH CATALOG LISTING 5PA8
  - 3 - THESE SWITCHES WILL WITHSTAND TEMPERATURE OF 160° F
  - 4 - APPLIES ONLY TO "ON" AND "MOMENTARY ON" POSITIONS
  - 5 - FURNISHED UNASSEMBLED
  - 6 - CENTER BARRIER MAY BE BROKEN ON 2TP69-7 ONLY
  - 7 - PRODUCT SUPPLIED WITHOUT BUTTON WHEN "NB" SUFFIX ADDED TO LISTING IE "2TP69-7NB"