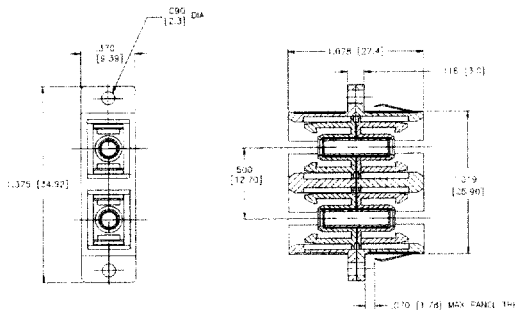


308 Series SC Couplings and Hybrid Adapters

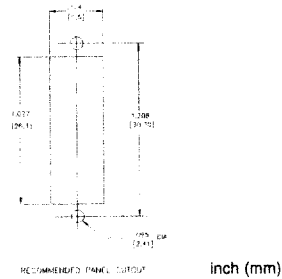


Methode offers a complete series of SC couplings and hybrid adapters.

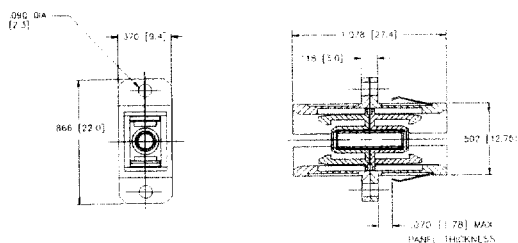
SC Duplex



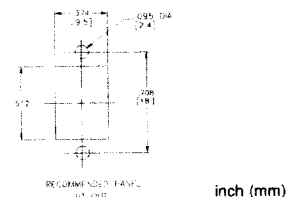
Same panel cutout for all duplex SC hybrid adapters and couplings



SC Simplex



Same panel cutout for all simplex SC hybrid adapters and couplings



Features

- SC to SC, FC and ST®
- Simplex and duplex panel cutouts
- Panel clip for easy installation
- Available in several standard colors

Coupling Materials

Body, Latch & Dust Caps: Thermoplastic, flame retardant

Sleeve: See below

Clip: Spring steel

Coupling & Adapter Part Numbers*

308 - XXX-0X

SLEEVE MATERIAL

- 1 = ZIRCONIA CERAMIC
- 2 = PHOSPHOR BRONZE

STYLE

- 2 = SIMPLEX
- 4 = DUPLEX

SC TO -

- 0 = SC
- 4 = FC
- 7 = FC/APC
- 9 = ST®

COLOR

- 1 = NTT BLUE
- 2 = BLACK
- 3 = BEIGE
- 7 = GREEN (APC)

* Individually packaged. Add "-B" suffix for bulk packaging.

Connector Termination Tools & Accessories

P/N

Universal Termination Kit, 220V*	900-118-3014
Universal Termination Kit, 110V*	900-118-3010
Universal Polishing Disk	900-118-9002
Universal Crimp Tool	900-118-9001
"Super" PC Polishing Consumables (500 connectors)	900-118-9020
Consumables Replacement Kit (100 connectors)	900-118-9017
Dust Cover w/ Lanyard (fits SC, FC & ST®)	900-111-2006

*220V - Europe, 110V - USA, Canada

ISO 9001 Certified

ST® is a registered trademark of AT&T.