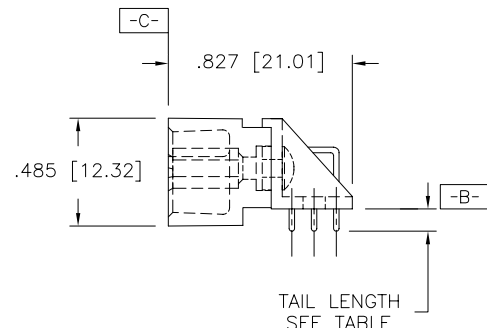
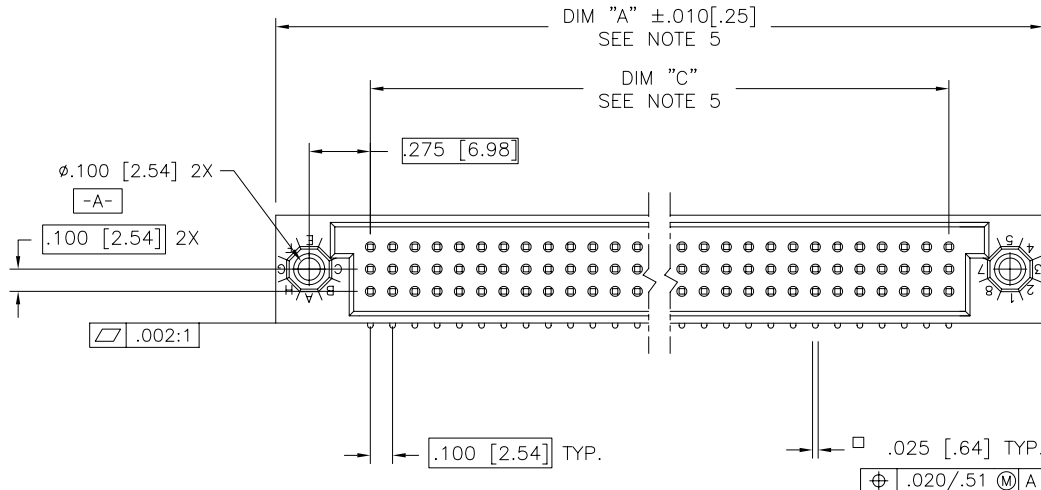
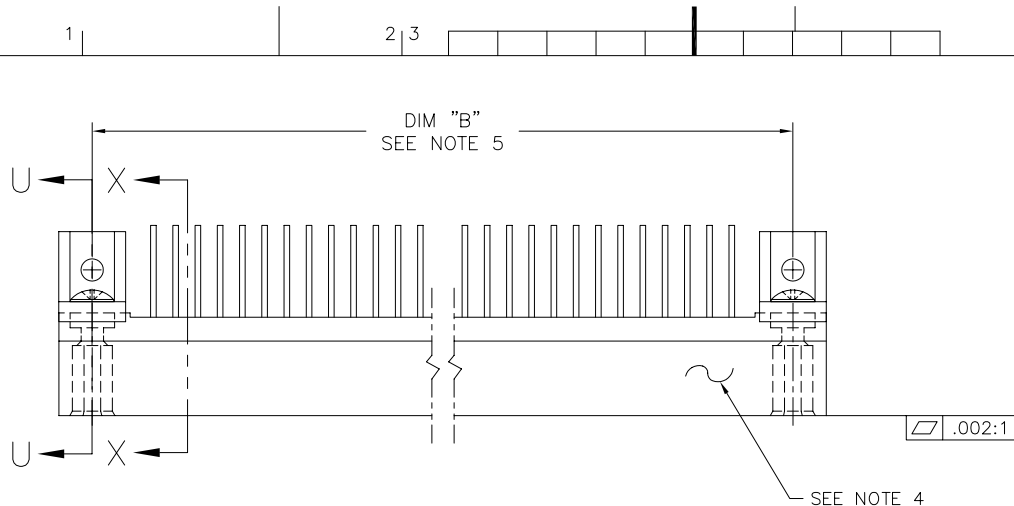


PRODUCT NUMBER  
SEE TABLE



FCIconnect.com

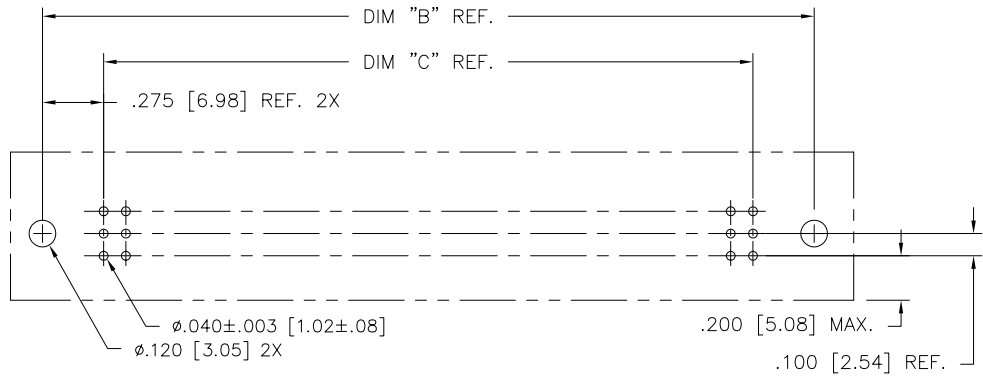
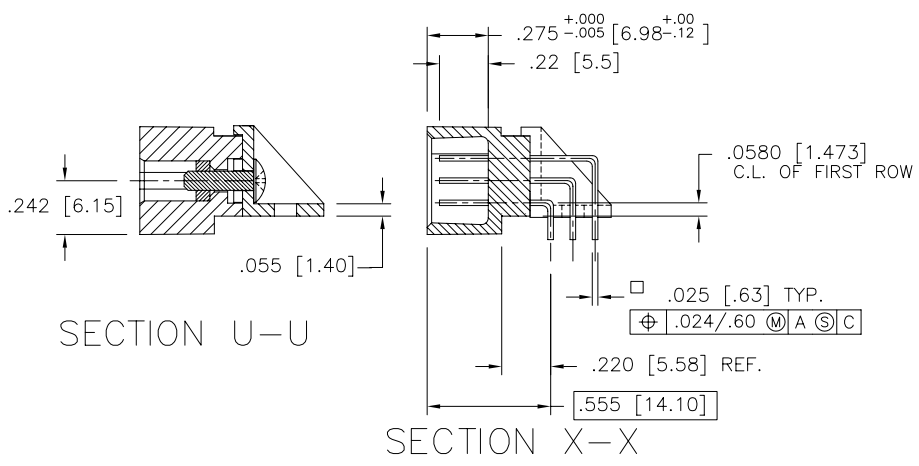
Copyright FCI

mat'l. code SEE NOTE 3		surface ISO 1302 ✓		tolerance ISO 406 ISO 1101		projection ⊕		product family HPC	
ltr		ecn no		date		tolerances unless otherwise specified		title	
B	v80921	DLW	10/6/98	angles	linear	.xx±.01/.3		3 ROW R/A HEADER W/ S.T.	
C	v94353	HTB	11/18/99			.xxx±.005/.13		PINS, 0 G.P. DUPLEX PLTD.	
D	v00264	JWS	1/27/00	0'±2'		.xxxx±.0020/.051		scale 1:1	
E	v10118	HTB	1/5/01	dr	G.PETERS	8/9/94		dwg no	
F	v05-0970	DAI	10/21/05	enr	J.AFTON	8/4/94		sheet 1 of 3 size	
G	m06-0283	MHT	7/27/06	chr	J.AFTON	8/12/94		50779 A3	
sheet index		revision		appd		S.CLARK		8/12/94	
sheet		sheet		G		G		type	
1		2		3				Product Customer Drawing	



form: A3

PRODUCT NUMBER  
SEE TABLE



NOTES:

- PRODUCT NUMBERING CODE:  
50779 - X YYY Z LF  
  - LEAD FREE (OPTIONAL)
  - TAIL LENGTH SEE TABLE
  - NO. OF POSITIONS SEE NOTE 2
  - PLATING SEE TABLE
  - BASE NUMBER
- THIS PRODUCT IS CONFIGURED IN SIZES OF 6 THRU 80 COLUMNS IN INCREMENTS OF ONE.  
i.e.: 6,7,8,9,.....78,79,80.
- HOUSING MATERIAL: GLASS AND MINERAL FILLED HIGH TEMP. THERMOPLASTIC. FLAME RETARDANT PER UL94V-0. COLOR: BLACK.  
PIN MATERIAL: PHOS. BRONZE
- COMPANY NAME, P/N, AND LOT CODE TO APPEAR ON THIS SURFACE PER BUS-12-108.
- LENGTH FORMULAS  
 DIM "A" = .100/2.54 x NO. OF COLUMNS + .75/19.1  
 DIM "B" = .100/2.54 x NO. OF COLUMNS + .450/11.43  
 DIM "C" = .100/2.54 x NO. OF COLUMNS - .100/2.54
- THIS PRODUCT (WITH "LF" SUFFIX) MEETS EUROPEAN UNION DIRECTIVES AND OTHER COUNTRY REGULATIONS AS DESCRIBED IN GS-22-008.
- THIS HOUSING WILL WITHSTAND EXPOSURE TO 260° PEAK TEMPERATURE FOR 10-30 SECONDS IN A CONVECTION, INFRA-RED OR VAPOR PHASE OVEN.



Copyright FCI

mat'l. code SEE NOTE 3		surface ISO 1302 ✓	tolerance ISO 406 ISO 1101	projection ⊕	product family HPC
ltr G	ecn 1	no 1	dr G.PETERS	date 8/9/94	title 3 ROW R/A HEADER W/ S.T. PINS, 0 G.P. DUPLEX PLTD. scale 1:1 <b>FCI</b> sheet 2 of 3 size 50779 A3 type Product Customer Drawing
tolerances unless otherwise specified		angles 0°±2'	linear .xx±.01/.3 .xxx±.005/.13 .xxxx±.0020/.051	INCH/MM	
enr J.AFTON		date 8/4/94	appd S.CLARK		
chr J.AFTON		date 8/12/94	appd S.CLARK		
sheet index	revision sheet				

PRODUCT NUMBER	NUMBER OF POSITIONS	TAIL LENGTH	SOLDER TAIL PLATING	CONTACT AREA PLATING
50779 -AYYS	YYY	.100±.010/2.54±0.25	TIN-LEAD	30μ"/0.76μ Au DUPLEX
50779 -AYYSLF	YYY	.100±.010/2.54±0.25	TIN	30μ"/0.76μ GXT DUPLEX
50779 -AYYYH	YYY	.180±.010/4.57±0.25	TIN-LEAD	30μ"/0.76μ Au DUPLEX
50779 -AYYYHLF	YYY	.180±.010/4.57±0.25	TIN	30μ"/0.76μ GXT DUPLEX



Copyright FCI

mat'l. code SEE NOTE 3		surface ISO 1302 <input checked="" type="checkbox"/>	tolerance ISO 406 ISO 1101	projection 	product family HPC
ltr G	ecn no	dr date	tolerances unless otherwise specified angles linear 0°±2'	INCH/MM scale 1:1	title 3 ROW R/A HEADER W/ S.T. PINS, 0 G.P. DUPLEX PLTD.
					dwg no 50779
					sheet 3 of 3 size A3
					type Product Customer Drawing
sheet index	revision sheet				



form: A3