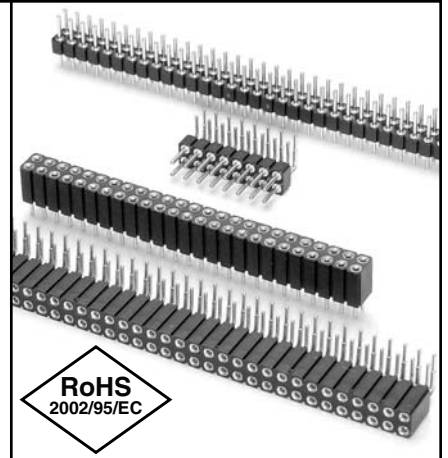
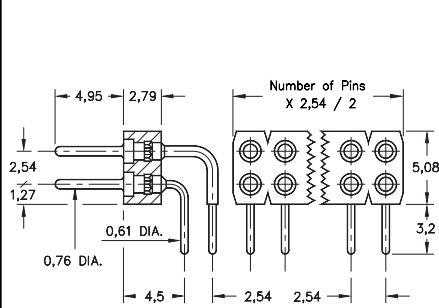


**Fig. 1**

- Pin interconnects available with straight MM #7007 or right angle MM #5005/5107 solder tails. See page 182 for details.
- Sockets are available with straight MM #1304 or right angle MM #1305/1306 solder tails. See pages 148 & 149 for details.
- MM #1304, #1305 & #1306 receptacles use Hi-Rel, 6-finger BeCu #47 contacts rated at 4.5 amps. Receptacles accept 0,76 diameter and 0,64 square pins. See page 221 for details.
- Insulators are high temp. thermoplastic.

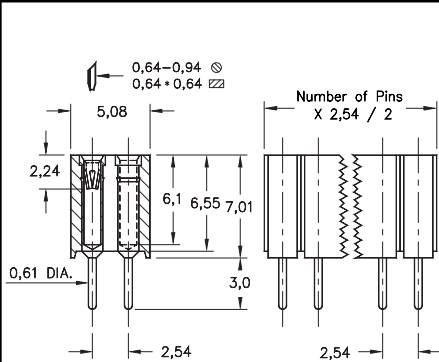


**Ordering Information**



**Fig. 2**

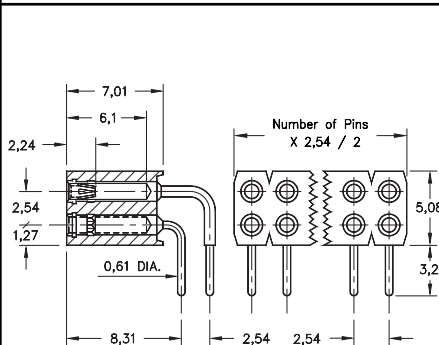
<b>Fig. 1</b>	<b>Series 802...10-001</b>	<b>Straight Pin Header</b>
	802-XX-0__-10-001000	Specify # of pins → 02-64
<b>Fig. 2</b>	<b>Series 802...20-001</b>	<b>Right Angle Pin Header</b>
	802-XX-0__-20-001000	Specify # of pins → 02-64



**Fig. 3**

For Electrical, Mechanical & Environmental Data, See pg. 4
XX=Plating Code See Below
For RoHS compliance select ◇ plating code.

SPECIFY PLATING CODE XX=	10◇	90	40◇	
Pin Plating	0,25µm Au	5,08µm Sn/Pb	5,08µm Sn	



**Fig. 4**

<b>Fig. 3</b>	<b>Series 803...10-001</b>	<b>Straight Socket</b>
	803-XX-__-10-001000	Specify # of pins → 002-100
<b>Fig. 4</b>	<b>Series 803...20-001</b>	<b>Right Angle Socket</b>
	803-XX-__-20-001000	Specify # of pins → 002-100

For Electrical, Mechanical & Environmental Data, See pg. 4
XX=Plating Code See Below
For RoHS compliance select ◇ plating code.

SPECIFY PLATING CODE XX=		93	99		43◇
Sleeve (Pin)		5,08µm Sn/Pb	5,08µm Sn/Pb		5,08µm Sn
Contact (Clip)		0,76µm Au	5,08µm Sn/Pb		0,76µm Au