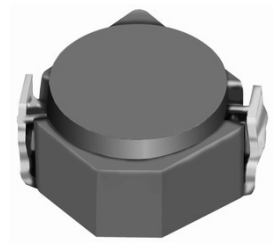
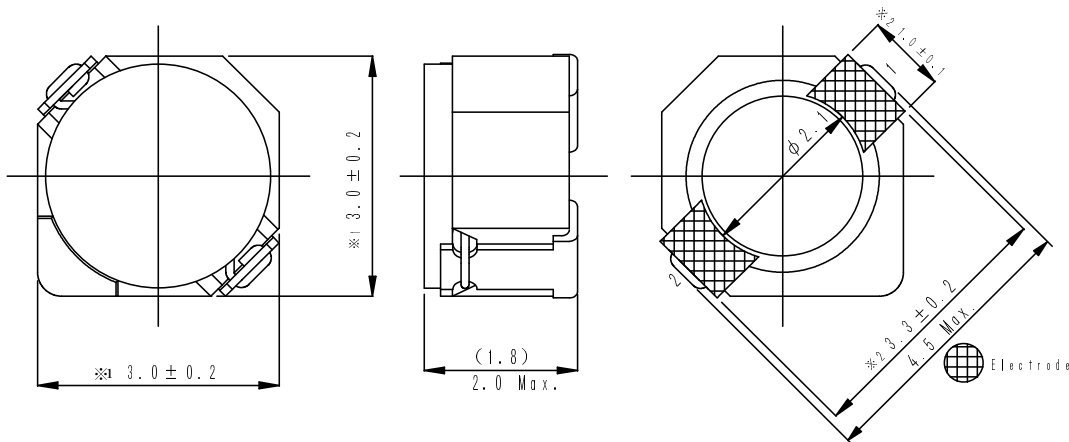
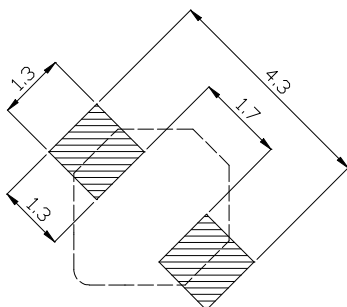
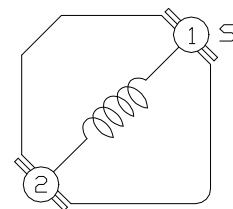


Type: CDRH2D18/LD
◆ Product Description

- 3.2×3.2mm Max.(L×W) ,2.0mm Max. Height.
- Inductance range: 2.2~47 μ H.
- Rated current range: 0.2~0.85A .
- In addition to the standards versions shown here, custom inductors are also available to meet your exact requirements.


◆ Feature

- Magnetically shielded construction.
- Storage temperature range: -40°C~+100°C.
- Operating temperature range: -40°C~+100°C(Including coil's self temperature rise).
- Ideally used in Mobilephone,PDA,MP3,DSC/DVC,Portable DVD, etc as DC-DC converter inductors.
- RoHS compliance and Halogen Free.

◆ Dimensions (mm)

◆ Land Pattern (mm)

◆ Schematics (Bottom)


"S" is winding start

Type: CDRH2D18/LD
◆ Specification

Part Name ※	Stamp	Inductance (μ H) 100kHz/1V	D.C.R. (m Ω) Max.(Typ.) (at 20°C)	Saturation Current (A) ※1		Temperature Rise Current (A) ※2
				at 20°C	at 100°C	
CDRH2D18/LDNP-2R2N□	C	2.2 \pm 30%	41(33)	0.85	0.67	2.30
CDRH2D18/LDNP-3R3N□	E	3.3 \pm 30%	54(43)	0.75	0.55	2.10
CDRH2D18/LDNP-4R7N□	G	4.7 \pm 30%	78(62)	0.63	0.47	1.65
CDRH2D18/LDNP-6R8N□	I	6.8 \pm 30%	106(85)	0.52	0.40	1.32
CDRH2D18/LDNP-100N□	K	10 \pm 30%	180(145)	0.43	0.33	1.00
CDRH2D18/LDNP-150N□	M	15 \pm 30%	220(175)	0.35	0.28	0.80
CDRH2D18/LDNP-220N□	O	22 \pm 30%	320(255)	0.30	0.22	0.68
CDRH2D18/LDNP-330N□	Q	33 \pm 30%	460(370)	0.24	0.18	0.56
CDRH2D18/LDNP-470N□	S	47 \pm 30%	660(530)	0.20	0.15	0.48

※ Description of part name

CDRH2D18/LDNP-2R2N□

- B Box
- C Carrier Tape

※1. Saturation current: The DC current at which the inductance decreases to 65% of it's nominal value.

※2. Temperature rise current: The DC current at which the temperature rise is $\Delta t=40^{\circ}\text{C}$. ($T_a=20^{\circ}\text{C}$)